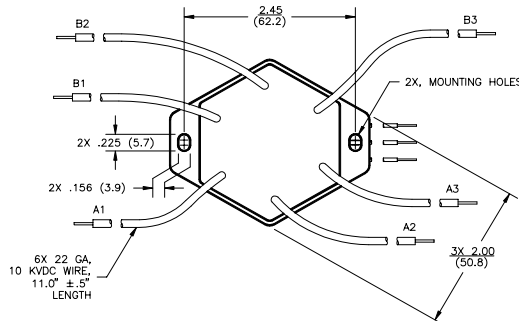
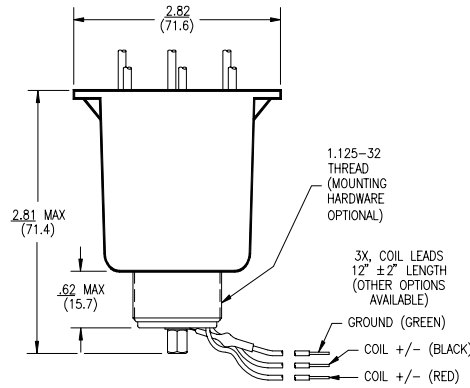
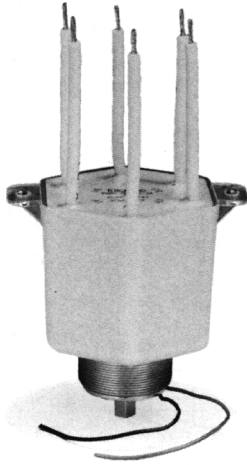


Kilovac KM-17 Make Only Load Switching



Features:

- Double pole, double throw contacts
- SF-6 gas-filled for ideal discharge waveform
- High voltage flying leads
- Tabs for easy mount
- Widely used in defibrillator applications

PRODUCT SPECIFICATIONS

| Part Number | Units | KM-17 |
|---|----------|------------|
| Contact Arrangement | | DPDT |
| Contact Form | | 2C |
| Test Voltage (dc or 60Hz) | kV Peak | 14 |
| Rated Operating Voltage | kV Peak | |
| dc or 60 Hz | | 7.5 |
| 2.5 MHz | | - |
| 16 MHz | | - |
| 32 MHz | | - |
| Continuous Carry Current , Maximum | Amps | |
| dc or 60 Hz | | 10 |
| 2.5 MHz | | - |
| 16 MHz | | - |
| 32 MHz | | - |
| Coil Hi-Pot (V RMS, 60 Hz) | | 500 |
| Contact Capacitance | pF | |
| Between Open Contacts | | - |
| Open Contacts to Ground | | - |
| Contact Resistance, Maximum | ohms | 0.5* |
| Operate Time, Maximum | ms | 20 |
| Release Time, Maximum | ms | 20 |
| Shock, 11 ms 1/2 Sine | G's Peak | 10 |
| Vibration, 10 G's Peak | Hz | 55-500 |
| Operating Ambient Temperature Range | °C | -20 to +65 |
| Mechanical Life (Operations x 10 ⁶) | cycles | 0.1 |
| Weight, Nominal | oz. | 11 |

* Contact resistance for gas-filled relays is measured at 28 Vdc, 1 amp

COIL DATA

| Nominal, Volts dc | 12 | 26.5 |
|-----------------------------|--------|--------|
| Pickup, Volts dc, Maximum | 8 | 16 |
| Drop-Out, Volts dc | .5 - 5 | 1 - 10 |
| Coil Resistance (Ohms ±10%) | 12 | 48 |

Ratings listed are for 25°C, sea level conditions
Coils are not for continuous duty

PART NUMBER SELECTION

Sample Part No. **KM-**
 Model
 Coil Voltage
 Blank = 12 Vdc
 /26.5Vdc = 26.5 Vdc