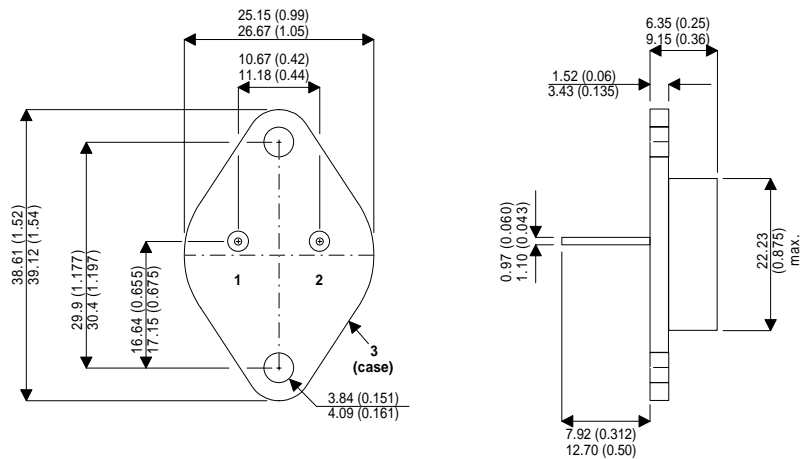


Dimensions in mm (inches).



**Bipolar NPN Device in a Hermetically sealed TO3 Metal Package.**

**Bipolar NPN Device.**

**$V_{CEO} = 350V$**

**$I_C = 10A$**

All Semelab hermetically sealed products can be processed in accordance with the requirements of BS, CECC and JAN, JANTX, JANTXV and JANS specifications.

**TO3 (TO204AA)**

**PINOUTS**

1 – Base      2 – Emitter      Case - Collector

Parameter	Test Conditions	Min.	Typ.	Max.	Units
$V_{CEO}^*$				350	V
$I_{C(CONT)}$				10	A
$h_{FE}$	@ 3/5 ( $V_{CE} / I_C$ )	7		35	-
$f_t$			25M		Hz
$P_D$				125	W

\* Maximum Working Voltage

This is a shortform datasheet. For a full datasheet please contact [sales@semelab.co.uk](mailto:sales@semelab.co.uk).

Semelab Plc reserves the right to change test conditions, parameter limits and package dimensions without notice. Information furnished by Semelab is believed to be both accurate and reliable at the time of going to press. However Semelab assumes no responsibility for any errors or omissions discovered in its use.