

DB3 Series

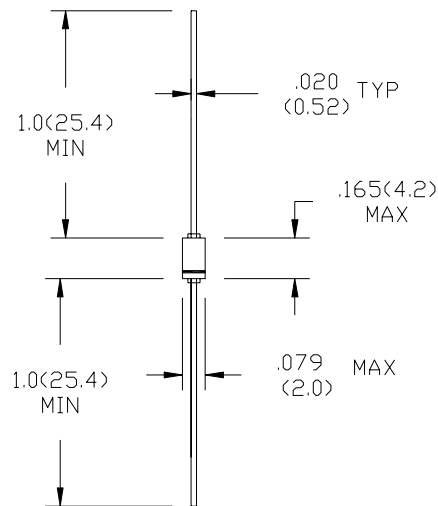
Applications

Gate-control circuits and power oscillator designs

Maximum Ratings and Electrical Characteristics

PARAMETERS	SYMBOL	DB3	DB4	UNITS
Breakover Voltage	$+V_{BO}, -V_{BO}$			VOLT
		28	35	Min
		32	40	Typ
		36	45	Max
Breakover Voltage Symmetry	$ (+V_{BO}) - (-V_{BO}) $	3	3	VOLT Max
Dynamic Breakback Voltage	$ V_{BO} - V_{BR} $	5	5	VOLT Min
Breakover Current	$+I_{BR}, -I_{BR}$	100	100	μ A Max
Peak Pulse Current for 10 μ S, 120pps, $T_A \leq 40^\circ\text{C}$	I_P	2.0	2.0	AMP Max
Cases: DO-35 Molded Glass				

Mechanical Dimensions: In Inches / mm



DO-35

FIGURE 1--V-I CHARACTERISTICS

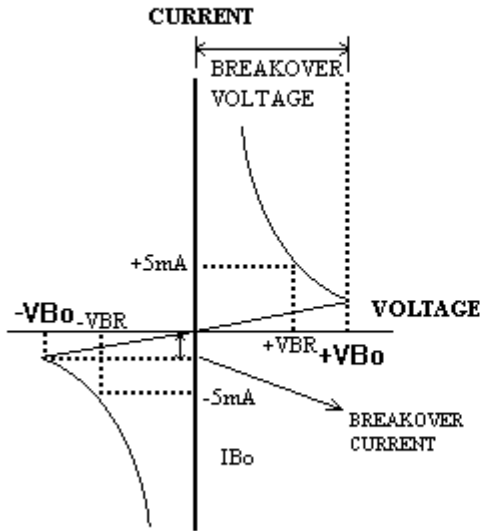


FIGURE 2-REPETITIVE PEAK ON-STATE CURRENT VS PULSE DURATION

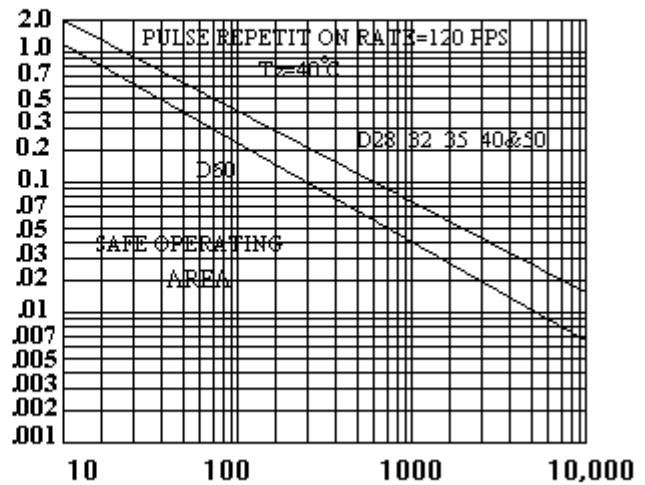
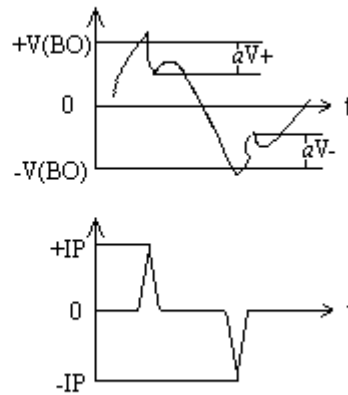


FIGURE 3-NORMALIZED VBO CHANGE VS JUNCTION TEMPERATURE

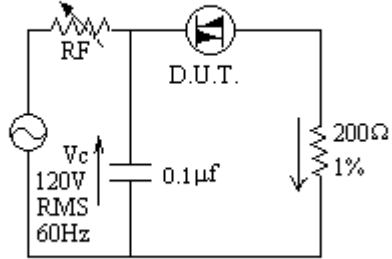


FIGURE 4-TEST CIRCUIT WAVEFORMS (SEE FIGURE 5)



Technical Data
Data Sheet 1280, Rev. A

**FIGURE 5-CIRCUIT USED TO MEASURE
DIAC CHARACTERISTICS**



***ADJUST FOR ONE FIRINGIN HALF CYCLE**