

BLUETOOTH™ BASEBAND WITH INTEGRATED FLASH

PRELIMINARY DATA

1 FEATURES

- Pin to pin compatible with the previous version STLC2415
- Ericsson Technology Licensing Baseband Core (EBC)
- Bluetooth™ specification compliance: V1.1 and V1.2
- SW compatible with STLC2411-M28R400CT combination
- 2 layer class 4 PCB compatible
- Point-to-point, point-to-multi-point (up to 7 slaves) and scatternet capability
- Asynchronous Connection Oriented (ACL) logical transport link
- Synchronous Connection Oriented (SCO) links: 2 simultaneous SCO channels
- Supports Pitch-Period Error Concealment (PPEC)
 - Improves speech quality in the vicinity of interference
 - Improves coexistence with WLAN
 - Works at receiver, no Bluetooth implication
- Adaptive Frequency Hopping (AFH): hopping kernel, channel assessment as Master and as Slave
- Faster Connection: Interlaced scan for Page and Inquiry scan, first FHS without random backoff, RSSI used to limit range
- Extended SCO (eSCO) links
- Standard BlueRF bus interface
- QoS Flush
- Clock support
 - System clock input: any integer value from 12 ... 33 MHz
 - LPO clock input at 3.2 and 32 kHz or via the embedded 32 kHz crystal oscillator cell
- ARM7TDMI 32-bit CPU
- Memory organization
 - Integrated 4Mbit flash
 - 64KByte on-chip RAM
 - 4KByte on-chip boot ROM
- Low power architecture with 2 different low power levels:
 - Sleep Mode
 - Deep Sleep Mode
- HW support for packet types
 - ACL: DM1, 3, 5 and DH1, 3, 5
 - SCO: HV1, 3 and DV
 - eSCO: EV3, 5

Figure 1. Package

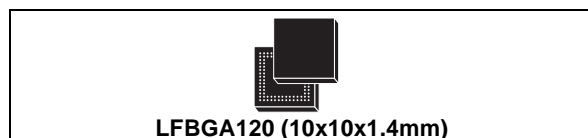


Table 1. Order Codes

Part Number	Package	Temp. Range
STLC2416	LFBGA120	-40 to +85 °C

- Communication interfaces
 - Synchronous Serial Interface, supporting up to 32 bit data and different industry standards
 - Two enhanced 16550 UARTs with 128 byte FIFO depth
 - 12Mbps USB interface
 - Fast master I2C bus interface
 - Multi slot PCM interface
 - 16 programmable GPIOs
 - 2 external interrupts and various interrupt possibilities through other interfaces
- Efficient support for WLAN coexistence in collocated scenario
- Ciphering support for up to 128-bit key
- Receiver Signal Strength Indication (RSSI) support for power-controlled links
- Separate control for external power amplifier (PA) for class1 power support.
- Software support
 - Low level (up to HCI) stack or embedded stack with profiles
 - Support of UART and USB HCI transport layers.

1.1 Applications Features

Typical applications in which the STLC2416 can be used are:

- Cable replacement
- Portable computers, PDA
- Modems
- Handheld data transfer devices
- Cameras
- Computer peripherals
- Other type of devices that require the wireless communication provided by Bluetooth™

2 DESCRIPTION

The STLC2416 from STMicroelectronics is a Bluetooth™ baseband controller with integrated 4 Mbit flash memory. Together with a Bluetooth™ Radio this product offers a compact and complete solution for short-range wireless connectivity. It incorporates all the lower layer functions of the Bluetooth™ protocol.

The microcontroller allows the support of all data packets of Bluetooth™ in addition to voice. The embedded controller can be used to run the Bluetooth™ protocol and application layers if required. The software is located in the integrated flash memory.

3 QUICK REFERENCE DATA

3.1 Absolute Maximum Ratings

Operation of the device beyond these conditions is not guaranteed. Sustained exposure to these limits will adversely affect device reliability.

Table 2. Absolute Maximum Ratings

Symbol	Conditions	Min	Max	Unit
V _{DD}	Supply voltage baseband core	V _{SS} – 0.5	2.5	V
V _{DDF}	Supply voltage flash	V _{SS} – 0.5	2.5	V
V _{PP}	Fast Program Voltage	V _{SS} – 0.5	13	V
V _{DDIO}	Supply voltage baseband I/O		4	V
V _{DDQ}	Supply voltage flash I/O	V _{SS} – 0.5	2.5	V
V _{IN}	Input voltage on any digital pin (excluding FLASH input pins)	V _{SS} – 0.5	V _{DDIO} + 0.3	V
T _{stg}	Storage temperature	-55	+150	°C
T _{lead}	Lead temperature < 10s		+250	°C

3.2 Operating Ranges

Operating ranges define the limits for functional operation and parametric characteristics of the device. Functionality outside these limits is not implied.

Table 3. Operating Ranges

Symbol	Conditions	Min	Typ	Max	Unit
V _{DD}	Supply voltage baseband core and EMI pads	1.55	1.8	1.95	V
V _{DDF}	Supply voltage flash	1.55	1.8	1.95	V
V _{DDIO}	Supply voltage digital I/O	2.7	3.3	3.6	V
V _{DDQ}	Supply voltage flash I/O (V _{DDQ} ≤ V _{DDF})	1.55	1.8	1.95	V
T _{amb}	Operating ambient temperature	-40		+85	°C

3.3 I/O specifications

Depending on the interface, the I/O voltage is typical 1.8V (interface to the flash memory) or typical 3.3V (all the other interfaces). These I/Os comply with the EIA/JEDEC standard JESD8-B.

3.3.1 Specifications for 3.3V I/Os

Table 4. LVTTTL DC Input Specification (3V < V_{DDIO} < 3.6V)

Symbol	Parameter	Conditions	Min	Typ	Max	Unit
V _{il}	Low level input voltage				0.8	V
V _{ih}	High level input voltage		2			V
V _{hyst}	Schmitt trigger hysteresis		0.4			V

Table 5. LVTTL DC Output Specification (3V<V_{DDIO}<3.6V)

Symbol	Parameter	Conditions	Min	Typ	Max	Unit
V _{ol}	Low level output voltage	I _{ol} = X mA			0.15	V
V _{oh}	High level output voltage	I _{oh} = -X mA	V _{DDIO} -0.15			V

Note: X is the source/sink current under worst-case conditions according to the drive capability. (See table 8, pad information for value of X).

3.3.2 Specifications for 1.8V I/Os

Table 6. DC Input Specification (1.55V<V_{DD}<1.95V)

Symbol	Parameter	Conditions	Min	Typ	Max	Unit
V _{il}	Low level input voltage				0.35*V _{DD}	V
V _{ih}	High level input voltage		0.65*V _{DD}			V
V _{hyst}	Schmitt trigger hysteresis		0.2	0.3	0.5	V

Table 7. DC Output Specification (1.55V<V_{DD}<1.95V)

Symbol	Parameter	Conditions	Min	Typ	Max	Unit
V _{ol}	Low level output voltage	I _{ol} = X mA			0.15	V
V _{oh}	High level output voltage	I _{oh} = -X mA	V _{DD} -0.15			V

Note: X is the source/sink current under worst-case conditions according to the drive capability. (See table 8, pad information for value of X).

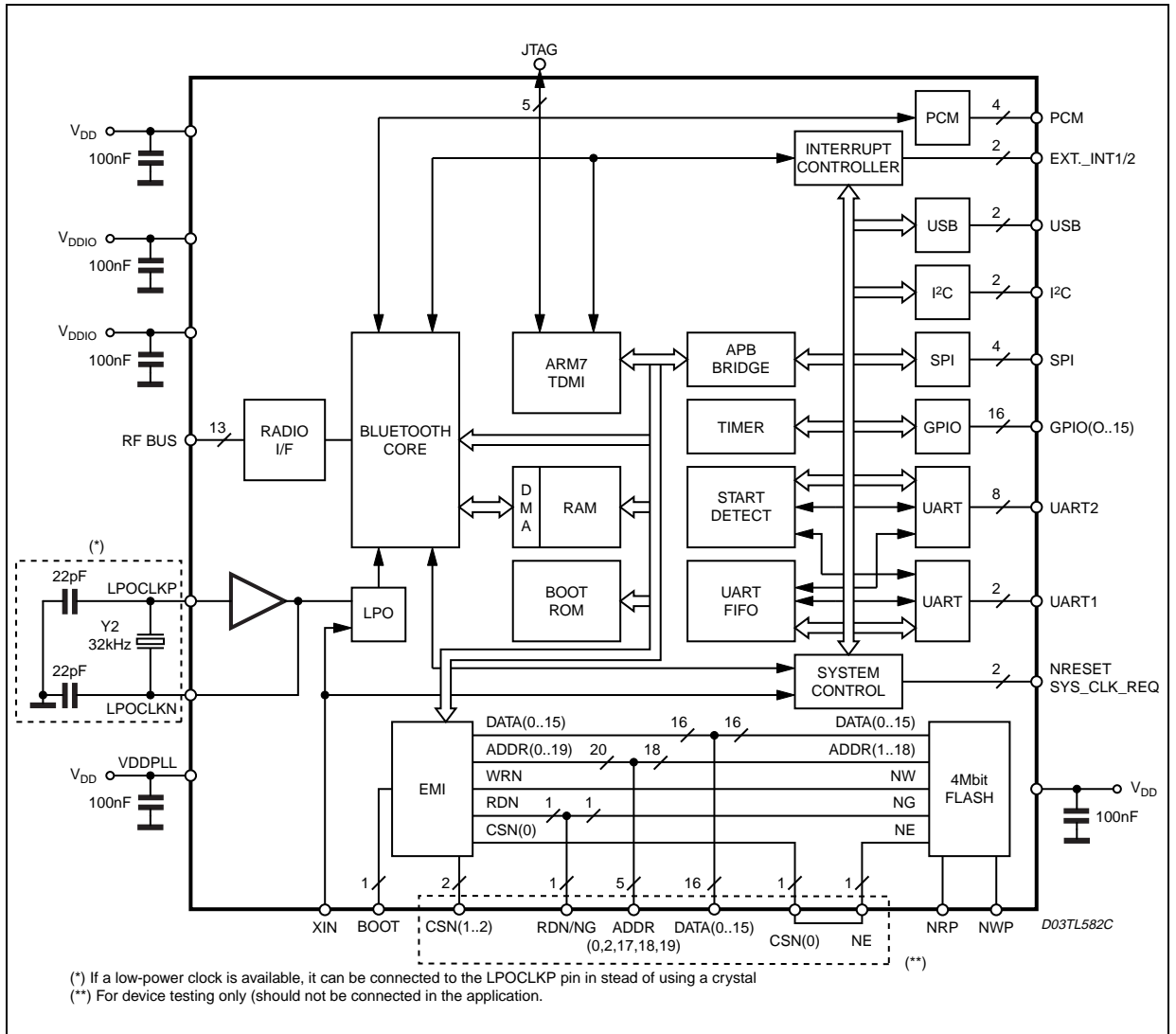
3.4 Current Consumption

**Table 8. Typical power consumption of the STLC2416 (V_{DD} = V_{DD Flash} = PLLV_{DD} = 1.8V, V_{DDIO} = 3.3V)
(Indicative only)**

STLC2416 State	Core		IO	Unit
	Slave	Master		
Standby (no low power mode)	5.10	5.10	0.13	mA
Standby (low power mode enabled)	0.94	0.94	0.13	mA
ACL connection (no transmission)	7.60	6.99	0.13	mA
ACL connection (data transmission)	7.90	7.20	0.13	mA
SCO connection (no codec connected)	8.70	7.90	0.14	mA
Inquiry and Page scan (low power mode enabled)	127	n.a.	5	μA
Low Power mode (32 kHz crystal)	20	20	0	μA

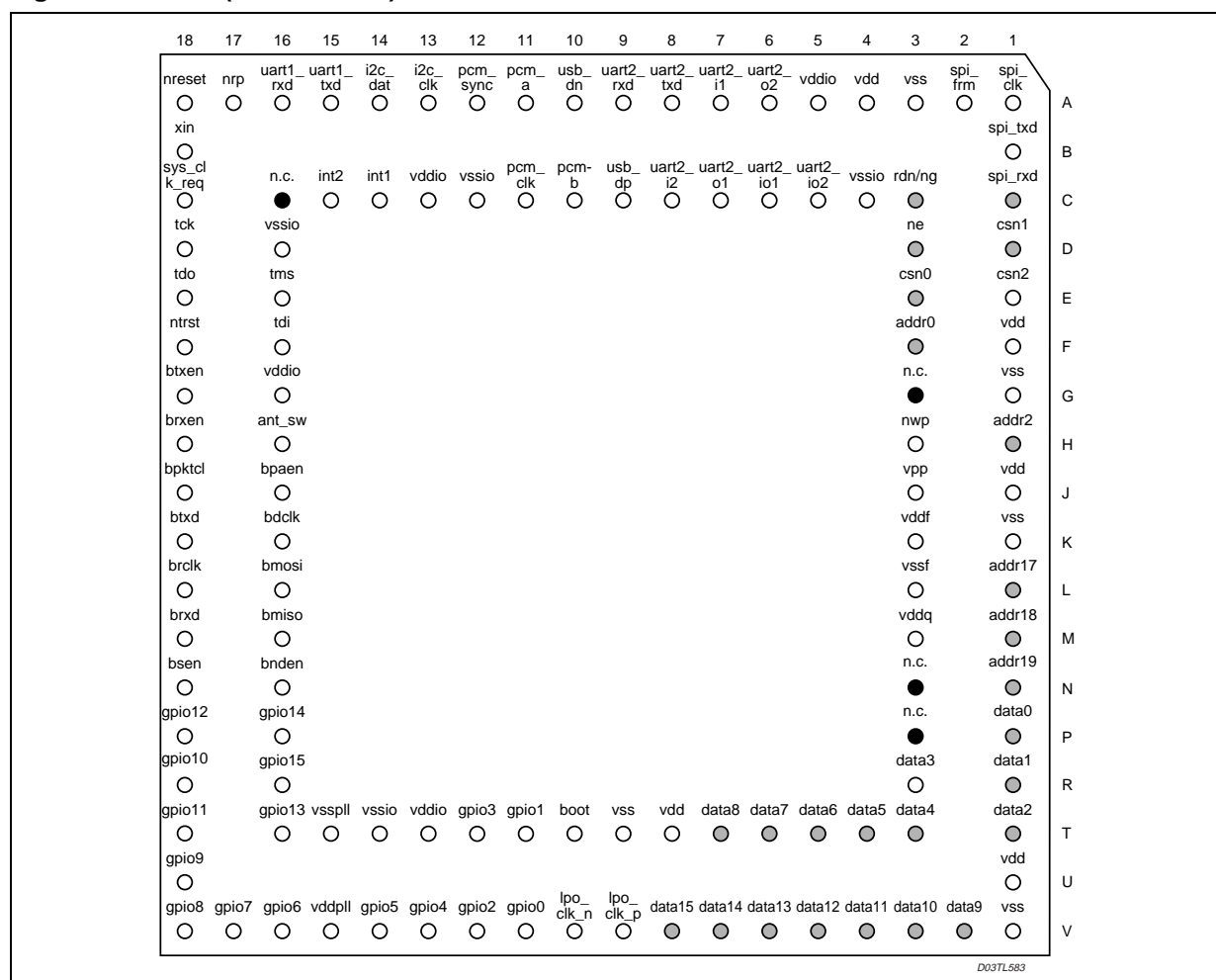
4 Block Diagram and Electrical Schemata

Figure 2. Block Diagram and Electrical Schematic



5 PINOUT

Figure 3. Pin out (Bottom view)



5.1 Pin Description and Assignment

Table 9 shows the pin list of the STLC2416. There are 91 functional pins of which 25 are used for device testing only (should not be connected in the application) and 24 supply pins. The column "PU/PD" shows the pads implementing an internal weak pull-up/down, to fix value if the pin is left open. This cannot replace an external pull-up/down.

The pads are grouped according to two different power supply values, as shown in column "VDD":

- V1 for 3.3 V typical 2.7 - 3.6 V range
- V2 for 1.8 V typical 1.55 - 1.95 V range

Finally the column "DIR" describes the pin directions:

- I for Inputs
- O for Outputs
- I/O for Input/Outputs
- O/t for tri-state outputs

Table 9. STLC2416 Pin List

Name	Pin #	Description	DIR	PU/PD	VDD	PAD
Clock and test pins						
xin	B18	System clock	I		V1	CMOS, 3.3V TTL compatible schmitt trigger
nreset	A18	Reset	I			
nrp	A17	Flash reset	I		V2	CMOS 1.8V
nwp	H3	Flash Write Protect	I			
sys_clk_req	C18	System clock request	I/O		V1	CMOS, 3.3V TTL compatible, 2mA tri-state slew rate control
lpo_clk_p	V9	Low power oscillator + / Slow clock input	I	(1)	V2	
lpo_clk_n	V10	Low power oscillator -	O			
int1	C14	External Interrupt used also as external wakeup	I	(1)	V1	CMOS, 3.3V TTL compatible schmitt trigger
int2	C15	Second external interrupt	I	(1)		
boot	T10	Select external boot from EMI or internal from ROM	I	(1)	V2	CMOS 1.8V
SPI interface						
spi_frm	A2	Synchronous Serial Interface frame sync	I/O		V1	CMOS, 3.3V TTL compatible, 2mA tri-state slew rate control schmitt trigger
spi_clk	A1	Synchronous Serial Interface clock	I/O			
spi_txd	B1	Synchronous Serial Interface transmit data	O/t		V1	CMOS, 3.3V TTL compatible, 2mA slew rate control
spi_rxd	C1	Synchronous Serial Interface receive data	I	(1)	V1	CMOS, 3.3V TTL compatible schmitt trigger
UART interface						
uart1_txd	A15	Uart1 transmit data	O/t		V1	CMOS, 3.3V TTL compatible, 2mA slew rate control
uart1_rxd	A16	Uart1 receive data	I	(2)	V1	CMOS, 3.3V TTL compatible schmitt trigger
uart2_o1	C7	Uart2 modem output	O		V1	CMOS, 3.3V TTL compatible, 2mA slew rate control
uart2_o2	A6	Uart2 modem output	O/t		V1	CMOS, 3.3V TTL compatible, 2mA slew rate control
uart2_i1	A7	Uart2 modem input	I	(2)	V1	CMOS, 3.3V TTL compatible
uart2_i2	C8	Uart2 modem input	I	(2)	V1	
uart2_io1	C6	Uart2 modem input/output	I/O	(2)	V1	CMOS, 3.3V TTL compatible, 2mA tri-state slew rate control
uart2_io2	C5	Uart2 modem input/output	I/O	(2)	V1	

(1) Should be strapped to vssio if not used; (2) Should be strapped to vddio if not used; (3) Should have a 10 kOhm pull-up if not used.

Table 9. STLC2416 Pin List (continued)

Name	Pin #	Description	DIR	PU/PD	VDD	PAD
uart2_txd	A8	Uart2 transmit data	O/t		V1	CMOS, 3.3V TTL compatible, 2mA slew rate control
uart2_rxd	A9	Uart2 receive data	I	(2)	V1	CMOS, 3.3V TTL compatible
I2C interface						
i2c_dat	A14	I2C data pin	I/O	(3)	V1	CMOS, 3.3V TTL compatible, 2mA tri-state slew rate control
i2c_clk	A13	I2C clock pin	I/O	(3)	V1	
USB interface						
usb_dn	A10	USB - pin (Needs a series resistor of 27 Ω \pm 5%)	I/O	(1)	V1	
usb_dp	C9	USB + pin (Needs a series resistor of 27 Ω \pm 5%)	I/O	(1)	V1	
GPIO interface						
gpio0	V11	Gpio port 0	I/O	PU	V1	CMOS, 3.3V TTL compatible, 4mA tri-state slew rate control
gpio1	T11	Gpio port 1	I/O	PU		
gpio2	V12	Gpio port 2	I/O	PU		
gpio3	T12	Gpio port 3	I/O	PU	V1	CMOS, 3.3V TTL compatible, 4mA tri-state slew rate control schmitt trigger
gpio4	V13	Gpio port 4	I/O	PU	V1	CMOS, 3.3V TTL compatible, 4mA tri-state slew rate control
gpio5	V14	Gpio port 5	I/O	PU		
gpio6	V16	Gpio port 6	I/O	PU		
gpio7	V17	Gpio port 7	I/O	PU		
gpio8	V18	Gpio port 8	I/O	PU	V1	CMOS, 3.3V TTL compatible, 2mA tri-state slew rate control
gpio9	U18	Gpio port 9	I/O	PU		
gpio10	R18	Gpio port 10	I/O	PU		
gpio11	T18	Gpio port 11	I/O	PU		
gpio12	P18	Gpio port 12	I/O	PU		
gpio13	T16	Gpio port 13	I/O	PU		
gpio14	P16	Gpio port 14	I/O	PU		
gpio15	R16	Gpio port 15	I/O	PU		
JTAG interface						
ntrst	F18	JTAG pin	I	PD	V1	CMOS, 3.3V TTL compatible
tck	D18	JTAG pin	I	(1)	V1	CMOS, 3.3V TTL compatible schmitt trigger

(1) Should be strapped to vssio if not used;

(2) Should be strapped to vddio if not used;

(3) Must have a 10 kOhm pull-up.

Table 9. STLC2416 Pin List (continued)

Name	Pin #	Description	DIR	PU/PD	VDD	PAD
tms	E16	JTAG pin	I	PU	V1	CMOS, 3.3V TTL compatible
tdi	F16	JTAG pin	I	PU		
tdo	E18	JTAG pin (should be left open)	O/t		V1	CMOS, 3.3V TTL compatible, 2mA slew rate control
PCM interface						
pcm_a	A11	PCM data	I/O	PD	V1	CMOS, 3.3V TTL compatible, 2mA tri-state slew rate control
pcm_b	C10	PCM data	I/O	PD		
pcm_sync	A12	PCM 8kHz sync	I/O	PD		
pcm_clk	C11	PCM clock	I/O	PD	V1	CMOS, 3.3V TTL compatible, 2mA tri-state slew rate control schmitt trigger
Radio interface						
brclk	L18	Transmit clock	I	(1)	V1	CMOS, 3.3V TTL compatible schmitt trigger
brxd	M18	Receive data	I			
bmiso	M16	RF serial interface input data	I	(1)	V1	CMOS, 3.3V TTL compatible
bnden	N16	RF serial interface control	O		V1	CMOS, 3.3V TTL compatible, 2mA slew rate control
bmosi	L16	RF serial interface output data	O			
bdclk	K16	RF serial interface clock	O			
btxd	K18	Transmit data	O			
bsen	N18	Synthesizer ON	O			
bpaen	J16	Open PLL	O			
brxen	H18	Receive ON	O			
btxen	G18	Transmit ON	O			
bpktctl	J18	Packet ON	O			
ant_sw	H16	Antenna switch	O		V1	CMOS, 3.3V TTL compatible, 8mA slew rate control

(1) Should be strapped to vssio if not used

(2) Should be strapped to vddio if not used

(3) Must have a 10 kOhm pull-up.

Table 9. STLC2416 Pin List (continued)

Name	Pin #	Description
Power Supply		
vsspll	T15	PLL ground
vddpll	V15	1.8V supply for PLL
vdd	A4	1.8V Digital supply
vdd	F1	1.8V Digital supply
vdd	J1	1.8V Digital supply
vdd	U1	1.8V Digital supply
vdd	T8	1.8V Digital supply
vddf	K3	1.8V Digital supply Flash
vddq	M3	1.8V I/O's supply Flash
vpp	J3	12V fast program supply Flash
vddio	C13	3.3V I/O's supply
vddio	A5	3.3V I/O's supply
vddio	T13	3.3V I/O's supply
vddio	G16	3.3V I/O's supply
vss	A3	Digital ground
vss	G1	Digital ground
vss	K1	Digital ground
vss	V1	Digital ground
vss	T9	Digital ground
vssf	L3	Digital ground Flash
vssio	C12	I/O's ground
vssio	C4	I/O's ground
vssio	T14	I/O's ground
vssio	D16	I/O's ground

Table 9. STLC2416 Pin List (continued)

Name	Pin #	Description	DIR	PU/PD	VDD	PAD
To be connected together on the PCB						
ne	D3	Flash chip enable	I			
csn0	E3	External chip select bank 0	O			
Test Only (Do NOT connect)						
rdn/ng	C3	External read	O		V2	CMOS 1.8V 4mA slew rate control
csn1	D1	External chip select bank 1	O			
csn2	E1	External chip select bank 2	O			
addr0	F3	External address bit 0	O			
addr2	H1	External address bit 2	O			
addr17	L1	External address bit 17	O			
addr18	M1	External address bit 18	O			
addr19	N1	External address bit 19	O			
data0	P1	External data bit 0	I/O	PD		
data1	R1	External data bit 1	I/O	PD		
data2	T1	External data bit 2	I/O	PD		
data3	R3	External data bit 3	I/O	PD		
data4	T3	External data bit 4	I/O	PD		
data5	T4	External data bit 5	I/O	PD		
data6	T5	External data bit 6	I/O	PD		
data7	T6	External data bit 7	I/O	PD		
data8	T7	External data bit 8	I/O	PD		
data9	V2	External data bit 9	I/O	PD		
data10	V3	External data bit 10	I/O	PD		
data11	V4	External data bit 11	I/O	PD		
data12	V5	External data bit 12	I/O	PD		
data13	V6	External data bit 13	I/O	PD		
data14	V7	External data bit 14	I/O	PD		
data15	V8	External data bit 15	I/O	PD		
Not Connected						
n.c.	C16, G3, N3, P3	Not Connected				

6 FUNCTIONAL DESCRIPTION

6.1 Baseband

- WLAN coexistence. See also 7.12. WLAN.

6.1.1 Baseband 1.1 Features

The baseband is based on Ericsson Technology Licensing Baseband Core (EBC) and it is compliant with the Bluetooth specification 1.1:

- Point to multipoint (up to 7 Slaves)
- Asynchronous Connection Less (ACL) link support giving data rates up to 721 kbps
- Synchronous Connection Oriented (SCO) link with support for 2 voice channels over the air interface.
- Flexible voice format to host and over the air (CVSD, PCM 13/16 bits, A-law, μ -law)
- HW support for packet types: DM1, 3, 5; DH1, 3, 5; HV1, 3; DV
- Scatternet capabilities (Master in one piconet and Slave in the other one; Slave in two piconets). All scatternet v.1.1 errata supported.
- Ciphering support up to 128 bits key
- Paging modes R0, R1, R2
- Channel Quality Driven Data Rate
- Full Bluetooth software stack available
- Low level link controller

6.1.2 Baseband 1.2 Features

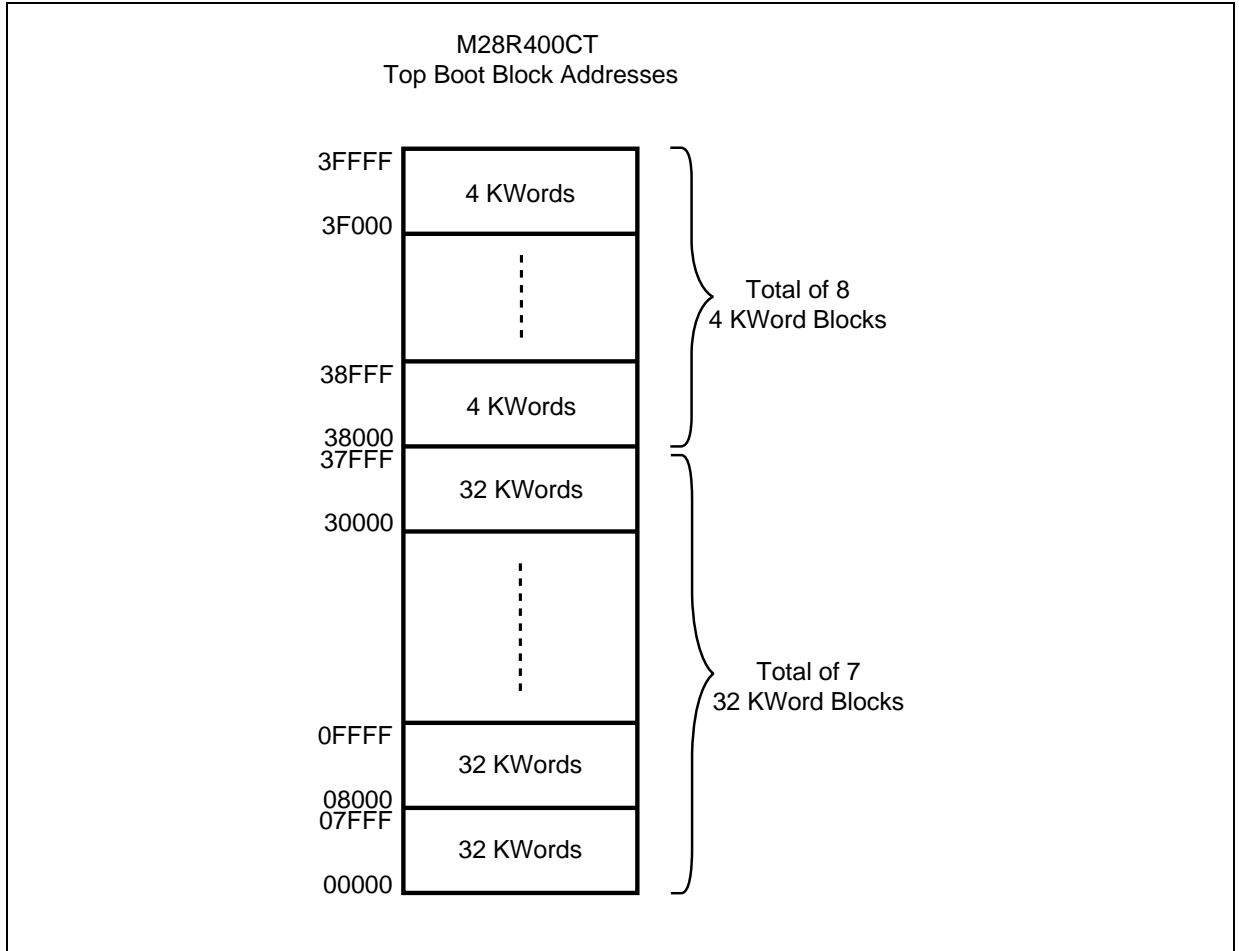
The baseband part is also compliant with the Bluetooth specification 1.2:

- Extended SCO (eSCO) links: supports EV3 and EV5 packets. See also 7.6. eSCO.
- Adaptive Frequency Hopping (AFH): hopping kernel, channel assessment as Master and as Slave. See also 7.7. AFH.
- Faster Connection: Interlaced scan for Page and Inquiry scan, answer FHS at first reception, RSSI used to limit range. See also 7.8. Faster Connection.
- QoS Flush. See also 7.9. QoS.
- Synchronization: the local and the master BT clock are available via HCI commands for synchronization of parallel applications on different slaves
- L2CAP Flow & Error control
- LMP Improvements
- LMP SCO handling
- Parameter Ranges update

6.2 Integrated Flash Memory

- 4Mbit size
- 8 parameter blocks of 4 Kword (top configuration)
- 7 main blocks of 32 Kword
- 120ns access time
- see datasheet of standalone product M28R400CT for more detailed information.

Figure 4. Block Addresses



6.2.1 Flash Signal Descriptions

- Write Protect (nwp)

Write protect is an input that gives an additional hardware protection for each block. When Write Protect is $\leq 0.4V$ the Lock-Down is enabled and the protection status of the flash blocks cannot be changed. When Write Protect is $\geq (v_{ddq} - 0.4V)$, the Lock-Down is disabled and the flash memory blocks can be locked or unlocked.

- Reset (nrp)

The Reset input provides a hardware reset of the memory. When reset is $\leq 0.4V$, the memory is in reset mode: the outputs are high impedant and the current consumption is minimized. After Reset all blocks are in Locked state. When Reset is $\geq (v_{ddq} - 0.4V)$, the device is in normal operation. Exiting reset mode

the device enters read array mode, but a negative transition of Chip Enable or a change of the address is required to ensure valid data outputs.

– **Vdd Supply Voltage (vddf)**

Vdd provides the power supply to the internal core of the flash memory device. It is the main power supply for all operations (Read, Program and Erase)

– **Vddq Supply Voltage (vddq)**

Vddq provides the power supply to the I/O pins and enables all Outputs to be powered independently from Vddf. Vddq can be tied to Vddf or can use separate supply.

– **Vpp Program Supply Voltage (vpp)**

Vpp is both a control input and a power supply pin. The two functions are selected by the voltage range applied to the pin. The supply voltage Vddf and the program supply voltage Vpp can be applied in any order.

If Vpp is kept in a low voltage range (0V to 3.6V) Vpp is seen as a control input. In this case a voltage lower than 1V gives protection against program or block erase, while $1.65V < Vpp < 3.6V$ enables these functions. Vpp is only sampled at the beginning of a program or block erase; a change in its value after the operation has started does not have any effect and program or erase operations continue.

If Vpp is in the range 11.4V to 12.6V it acts as a power supply pin. In this condition Vpp must be stable until the Program/Erase algorithm is completed.

– **Vssf Flash Ground (vssf)**

Vssf is the reference for all voltage measurements.

– **Address Inputs (Addr(1-18)/Addr(0-19)), Data Input/Output (Data(0-15)/Data(0-15)), Chip Enable (ne/csn(0)), Output Enable (ng/rdn), Write Enable (nw/wrn)** are connected to and controlled by the Bluetooth™ baseband controller.

7 GENERAL SPECIFICATION

7.1 SYSTEM CLOCK

The STLC2416 works with a single clock provided on the XIN pin. The value of this external clock should be any integer value from 12 ... 33 MHz \pm 20ppm (overall).

7.1.1 SLOW CLOCK

The slow clock is used by the baseband as reference clock during the low power modes. The slow clock requires an accuracy of \pm 250ppm (overall).

Several options are foreseen in order to adjust the STLC2416 behaviour according to the features of the radio used:

- If the system clock (e.g. 13MHz) is not provided at all times (power consumption saving) and no slow clock is provided by the system, a 32 kHz crystal must be used by the STLC2416 (default mode).
- If the system clock (e.g. 13MHz) is not provided at all times (power consumption saving) and the system provides a slow clock at 32kHz or 3.2kHz, this signal is simply connected to the STLC2416 (lpo_clk_p).
- If the system clock (e.g. 13MHz) is provided at all times, the STLC2416 generates from the reference clock an internal 32kHz clock. This mode is not an optimized mode for power consumption.

7.2 BOOT PROCEDURE

The boot code instructions are the first that ARM7TDMI executes after a HW reset. All the internal device's registers are set to their default value.

There are 2 types of boot:

- Flash boot.

When boot pin is set to `1` (connected to VDD), the STLC2416 boots on its flash

- UART download boot from ROM.

When boot pin is set to `0` (connected to GND), the STLC2416 boots on its internal ROM (needed to download the new firmware in the flash). When booting on the internal ROM, the STLC2416 will monitor the UART interface for approximately 1.4 second. If there is no request for code downloading during this period, the ROM jumps to flash.

7.3 CLOCK DETECTION

The STLC2416 has an automatic slow clock frequency detection (32kHz, 3.2kHz or none).

7.4 MASTER RESET

When the device's reset is held active (nreset is low), uart1_txd and uart2_txd are set to input state. When the nreset returns high, the device starts to boot.

Remark: The device should be held in active reset for minimum 20ms in order to guarantee a complete reset of the device.

7.5 INTERRUPTS/WAKE-UP

All GPIOs can be used both as external interrupt source and as wake-up source. In addition the chip can be woken-up by USB, uart1_rxd, uart2_rxd, int1, int2.

7.6 V1.2 detailed functionality - Extended SCO

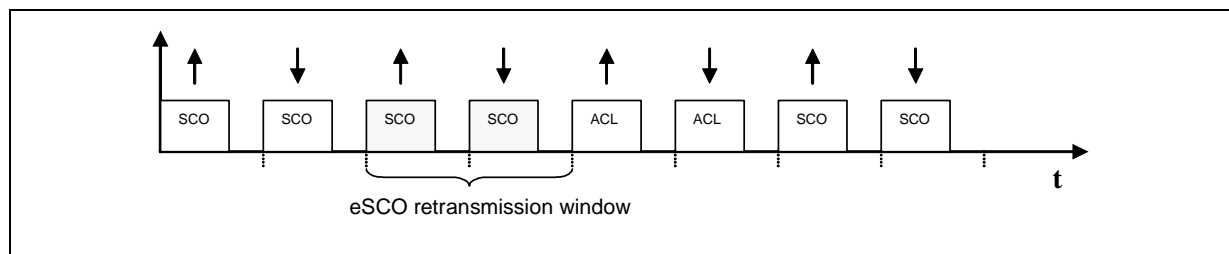
User Perspective - Extended SCO

This function gives improved voice quality since it enables the possibility to retransmit lost or corrupted voice packets in both directions.

Technical perspective - Extended SCO

eSCO incorporates CRC, negotiable data rate, negotiable retransmission window and multi-slot packets. Retransmission of lost or corrupted packets during the retransmission window guarantees on-time delivery.

Figure 5. eSCO



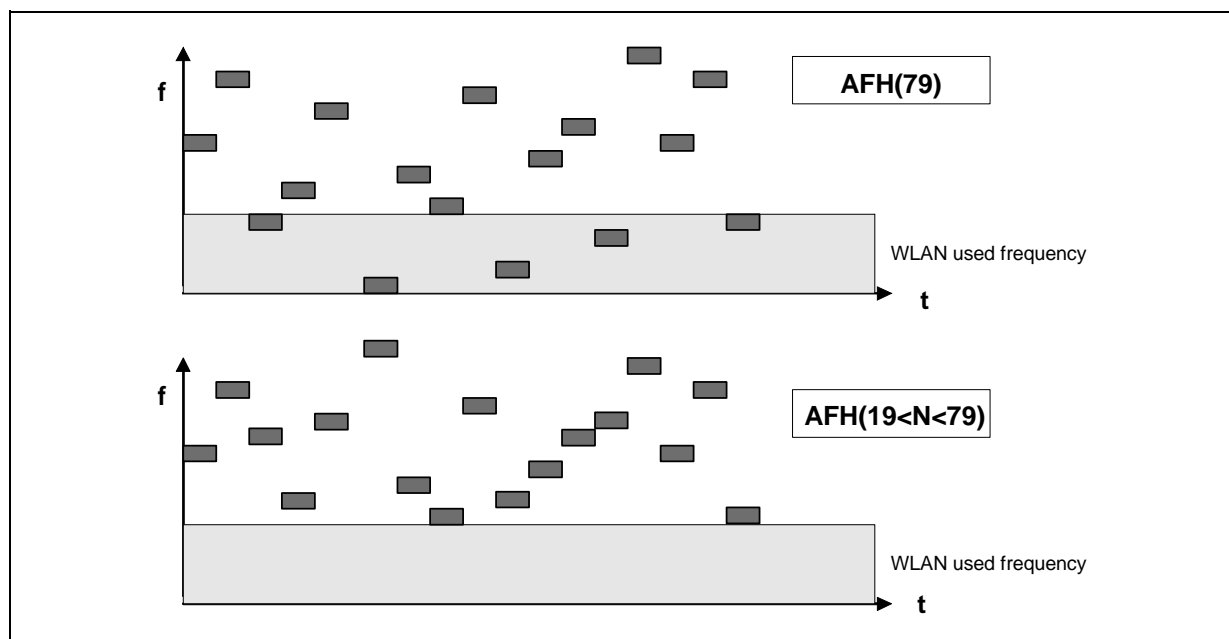
7.7 V1.2 detailed functionality - Adaptive Frequency Hopping

User Perspective - Adaptive Frequency Hopping

In the Bluetooth spec 1.1 the Bluetooth devices hop in the 2.4 GHz band over 79-channels. Since WLAN 802.11 has become popular, there are specification improvements in the 1.2-SIG spec for Bluetooth where the Bluetooth units can avoid the jammed bands and thereby provide an improved co-existence with WLAN.

Technical perspective - Adaptive Frequency Hopping

Figure 6. AFH



First the Master and/or the Slaves identify the jammed channels. The Master decides on the channel distribution and informs the involved slaves. The Master and the Slaves, at a predefined instant, switch to the new channel distribution scheme.

No longer jammed channels are re-inserted into the channel distribution scheme.

AFH uses the same hop frequency for transmission as for reception

7.8 V1.2 detailed functionality - Faster Connection

User Perspective - Faster Connection

This feature gives the User about 65% faster connection on average when enabled compared to Bluetooth spec 1.1 connection procedure.

Technical perspective - Faster Connection

The faster Inquiry functionality is based on a removed/shortened random back off and also a new Interlaced Inquiry scan scheme.

The faster Page functionality is based on Interlaced Page Scan.

7.9 V1.2 detailed functionality - Quality of Service

User Perspective - Quality of Service

Small changes to the BT1.1 spec regarding Quality of Service makes a large difference by allowing all QoS parameters to be communicated over HCI to the link manager that enables efficient BW management. Here after a short list of user perspectives:

- 1) Flush timeout: enables time-bounded traffic such as video streaming to become more robust when the channel degrades. It sets the maximum delay of an L2CAP frame. It does not enable multiple streams in one piconet, or heavy data transfer at the same time.
- 2) Simple latency control: allows the host to set the poll interval. Provides enough support for HID devices mixed with other traffic in the piconet.

7.10 Low power modes

To save power, two low power modes are supported. Depending of the Bluetooth and of the Host's activity, the STLC2416 autonomously decides to use Sleep Mode or Deep Sleep Mode.

Table 10. Low power modes

Low power mode	Description
Sleep Mode	The STLC2416: <ul style="list-style-type: none"> - Accepts HCI commands from the Host. - Supports page- and inquiry scans. - Supports Bluetooth links that are in Sniff, Hold or Park. - Can transfer data over Bluetooth links. - The system clock is still active in part of the design.
Deep Sleep Mode	The STLC2416: <ul style="list-style-type: none"> - Does not accept HCI commands from the Host. - Keeps track of page- and inquiry scan activities. Switches between sleep and active mode when it is time to scan. - Supports Bluetooth links that are in Sniff, Hold or Park. - Does not transfer data over Bluetooth links. - The system clock is not active in any part of the design. Note: Deep Sleep mode is not compatible with a USB transport layer.

Some examples of the low power modes usage:

7.10.1 SNIFF OR PARK

The STLC2416 is in active mode with a Bluetooth connection, once the connection is concluded the SNIFF or the PARK is programmed. Once one of these two states is entered the STLC2416 goes in Sleep Mode. After that, the Host may decide to place the STLC2416 in Deep Sleep Mode by putting the UART LINK in low power mode. The Deep Sleep Mode allows smaller power consumption. When the STLC2416 needs to send or receive a packet (e.g. at T_{SNIFF} or at the beacon instant) it will require the clock and it will go in active mode for the needed transmission/reception. Immediately afterwards it will go back to the Deep

Sleep Mode. If some HCI transmission is needed, the UART link will be reactivated, using one of the two ways explained in 7.5, and the STLC2416 will move from the Deep Sleep Mode to the Sleep Mode.

7.10.2 INQUIRY/PAGE SCAN

When only inquiry scan or page scan is enabled, the STLC2416 will go in Sleep Mode or Deep Sleep Mode outside the receiver activity. The selection between Sleep Mode and Deep Sleep Mode depend on the UART activity like in SNIFF or PARK.

7.10.3 NO CONNECTION

If the Host places the UART in low power and there is no activity, then the STLC2416 can be placed in Deep Sleep Mode.

7.10.4 ACTIVE LINK

When there is an active link (SCO or ACL), the STLC2416 cannot go in Deep Sleep Mode whatever the UART state is. But the STLC2416 baseband is made such that whenever it is possible, depending on the scheduled activity (number of link, type of link, amount of data exchanged), it goes in Sleep Mode.

7.11 SW initiated low power mode

A wide set of wake up mechanisms are supported.

7.12 Bluetooth - WLAN coexistence in collocated scenario

The coexistence interface uses 4 GPIO pins, when enabled.

Bluetooth and WLAN 802.11 b/g technologies occupy the same 2.4 GHz ISM band. STLC2416 implements a set of mechanisms to avoid interference in a collocated scenario.

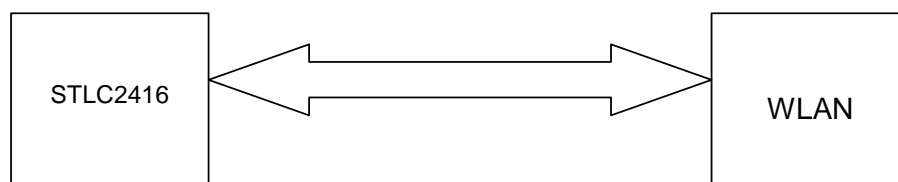
The STLC2416 supports 5 different algorithms in order to provide efficient and flexible simultaneous functionality between the two technologies in collocated scenarios:

- **Algorithm 1:** PTA (Packet Traffic Arbitration) based coexistence algorithm defined in accordance with the IEEE 802.15.2 recommended practice.
- **Algorithm 2:** the WLAN is the master and it indicates to the STLC2416 when not to operate in case of simultaneous use of the air interface.
- **Algorithm 3:** the STLC2416 is the master and it indicates to the WLAN chip when not to operate in case of simultaneous use of the air interface.
- **Algorithm 4:** Two-wire mechanism
- **Algorithm 5:** Alternating Wireless Medium Access (AWMA), defined in accordance with the WLAN 802.11 b/g technologies.

The algorithm is selected via HCI command. The default algorithm is algorithm 1.

7.12.1 Algorithm 1: PTA (Packet Traffic Arbitration)

The Algorithm is based on a bus connection between the STLC2416 and the WLAN chip :



By using this coexistence interface it's possible to dynamically allocate bandwidth to the two devices when simultaneous operations are required while the full bandwidth can be allocated to one of them in case the other one does not require activity. The algorithm involves a priority mechanism, which allows preserving the quality of certain types of link. A typical application would be to guarantee optimal quality to the Blue-

tooth voice communication while an intensive WLAN communication is ongoing.

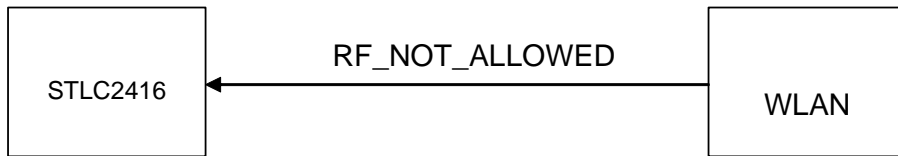
Several algorithms have been implemented in order to provide a maximum of flexibility and efficiency for the priority handling. Those algorithms can be activated via specific HCI commands.

The combination of a time division multiplexing techniques to share the bandwidth in case of simultaneous operations and of the priority mechanism avoid the interference due to packet collision and it allows the maximization of the 2.4 GHz ISM bandwidth usage for both devices while preserving the quality of some critical types of link.

7.12.2 Algorithm 2: WLAN master

In case the STLC2416 has to cooperate, in a collocated scenario, with a WLAN chip not supporting a PTA based algorithm, it's possible to put in place a simpler mechanism.

The interface is reduced to 1 line:

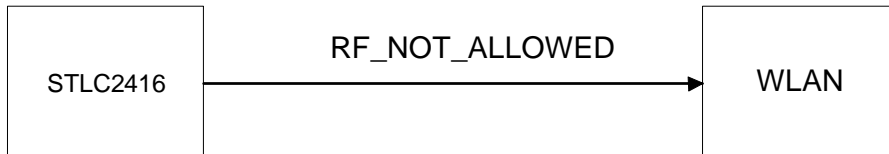


When the WLAN has to operate, it alerts HIGH the RF_NOT_ALLOWED signal and the STLC2416 will not operate while this signals stays HIGH.

This mechanism permits to avoid packet collision in order to make an efficient use of the bandwidth but cannot provide guaranteed quality over the Bluetooth links.

7.12.3 Algorithm 3: Bluetooth master

This algorithm represents the symmetrical case of section 7.12.2. Also in this case the interface is reduced to 1 line:



When the STLC2416 has to operate it alerts HIGH the RF_NOT_ALLOWED signal and the WLAN will not operate while this signals stays HIGH.

This mechanism permits to avoid packet collision in order to make an efficient use of the bandwidth, it provides high quality for all Bluetooth links but cannot provide guaranteed quality over the WLAN links.

7.12.4 Algorithm 4: Two-wire mechanism

Based on algorithm 2 and 3, the Host decides, on a case-by-case basis, whether WLAN or Bluetooth is master.

7.12.5 Algorithm 5: Alternating Wireless Medium Access (AWMA)

AWMA utilizes a portion of the WLAN beacon interval for Bluetooth operations. From a timing perspective, the medium assignment alternates between usage following WLAN procedures and usage following Bluetooth procedures.

The timing synchronization between the WLAN and the STLC2416 is done by the HW signal MEDIUM_FREE.

Table 11. WLAN HW signal assignment

WLAN	Scenario 1: PTA	Scenario 2: WLAN master	Scenario 3: BT master	Scenario 4: 2-wire	Scenario 5: AWMA
WLAN 1	TX_CONFIRM	BT_RF_NOT_ALLOWED	Not used	BT_RF_NOT_ALLOWED	MEDIUM_FREE
WLAN 2	TX_REQUEST	Not used	WLAN_RF_NOT_ALLOWED	WLAN_RF_NOT_ALLOWED	Not used
WLAN 3	STATUS	Not used	Not used	Not used	Not used
WLAN 4	OPTIONAL_SIGNAL	Not used	Not used	Not used	Not used

8 INTERFACES

8.1 UART Interface

The chip contains two enhanced (128 byte transmit FIFO and 128 byte receive FIFO, sleep mode, 127 Rx and 128 Tx interrupt thresholds) UARTs named UART1 and UART2 compatible with the standard M16550 UART.

For UART1, only Rx and Tx signals are available (used for debug purposes).

UART2 features:

- standard HCI UART transport layer:
 - all HCI commands as described in the Bluetooth™ specification 1.1
 - ST specific HCI command (check STLC2416 Software Interface document for more information)
- RXD, TXD, CTS, RTS on permanent external pins
- 128-byte FIFOs, for transmit and for receive
- Default configuration: 57.600 kbps
- Specific HCI command to change to the following baud rates:

Table 12. List of supported baud rates

Baud rate		
–	57.600 kbps (default)	4800
921.6k	38.4 k	2400
460.8 k	28.8 k	1800
230.4 k	19.2 k	1200
153.6 k	14.4 k	900
115.2 k	9600	600
76.8 k	7200	300

8.2 Synchronous Serial Interface

The Synchronous Serial Interface (SSI) (or the Synchronous Peripheral Interface (SPI)) is a flexible module supporting full-duplex and half-duplex synchronous communications with external devices in Master and Slave mode. It enables a microcontroller unit to communicate with peripheral devices or allows inter-processor communications in a multiple-master environment. This Interface is compatible with the Motorola SPI standard, with the Texas Instruments Synchronous Serial frame format and with National Semiconductor Microwire standard.

Special extensions are implemented to support the Agilent SPI interface for optical mouse applications and the 32 bit data SPI for stereo codec applications.

8.2.1 Feature description: Agilent mode

One application is a combination of a Bluetooth device with an AGILENT optical mouse sensor to build a Bluetooth Mouse. The AGILENT chip has an SPI interface with one bi-directional data port.

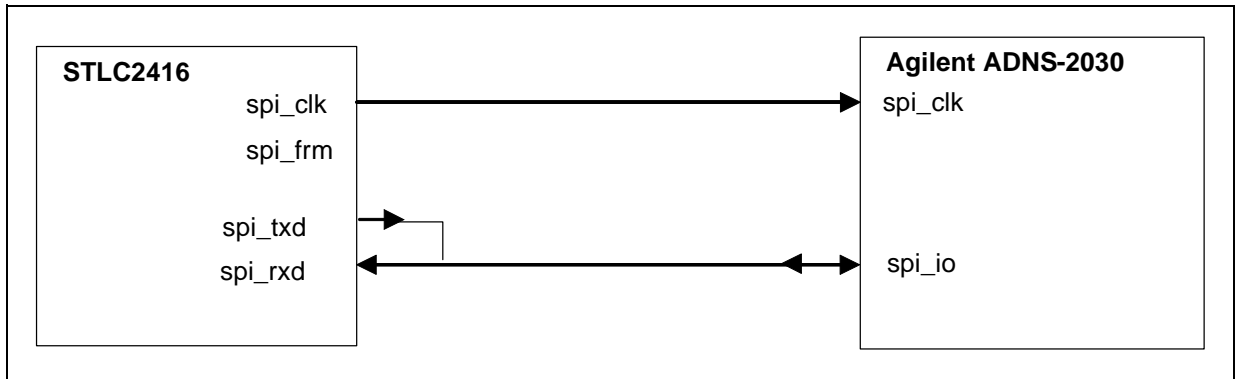
When spi_io from ADNS_2030 is driving, spi_rxd should be active, while spi_txd is set as a tri-state high impedance input.

For a read operation, the Bluetooth spi_txd is put in high impedance state after the reception of the address.

Note that this feature works independently of the SPI mode, supporting other combinations.

In this case, the devices are connected as described in the figure below.

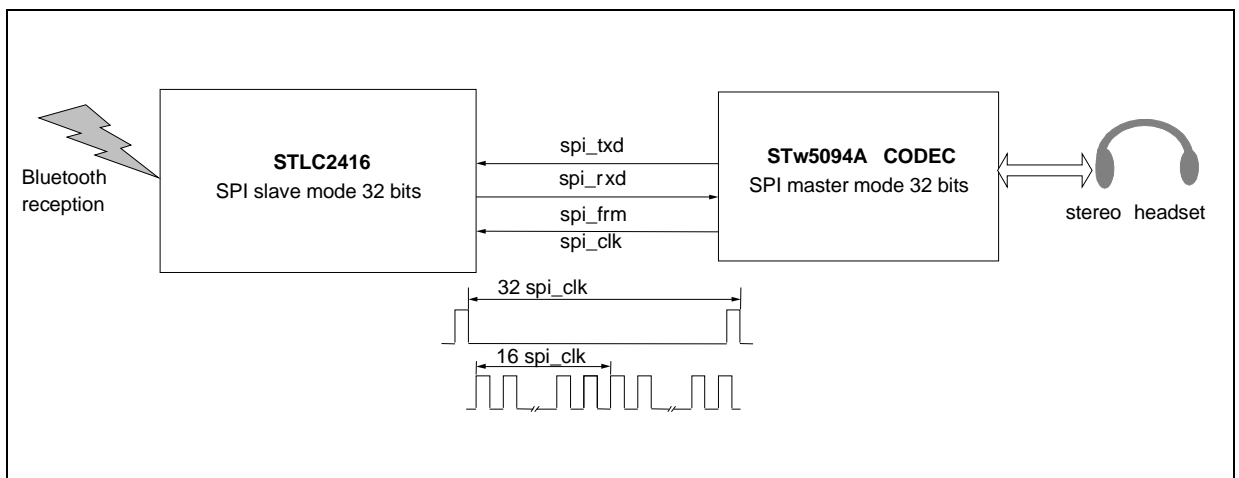
Figure 7.



8.2.2 Feature description: 32 bit SPI

One application is a Bluetooth stereo headset. In this application, the audio samples are received from the emitter through the air using the Bluetooth baseband with ACL packets. The samples are decoded by the embedded ARM CPU (the samples were encoded, for compression, in SBC or MP3 format) and then sent to a stereo codec through the SPI interface. The application is described in the figure below.

Figure 8.



To support this application, the data size is 32 bits. The 32 bits support is implemented for both transmit and receive.

8.3 I2C Interface

Used to access I2C peripherals.

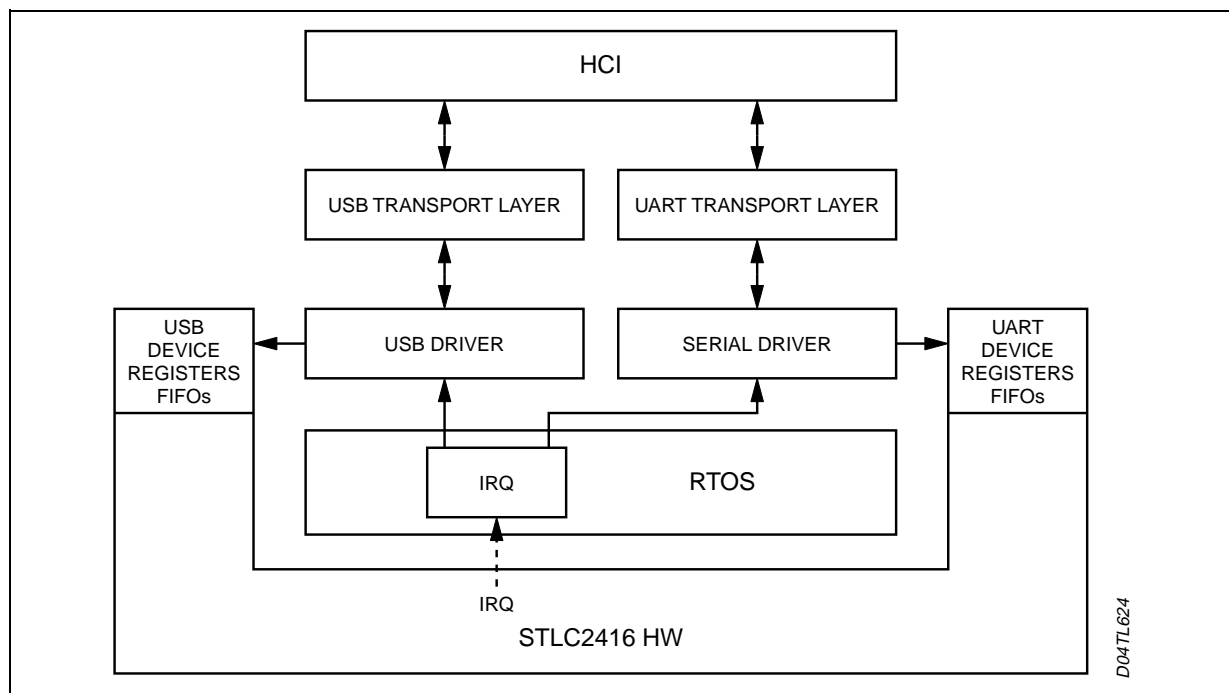
The interface is a fast master I2C; it has full control of the interface at all times. I2C slave functionality is not supported.

8.4 USB Interface

The USB interface is compliant with the USB 2.0 full speed specification. Max throughput on the USB interface is 12 Mbit/s.

Figure 9 gives an overview of the main components needed for supporting the USB interface, as specified in the Bluetooth™ Core Specification. For clarity, the serial interface (including the UART Transport Layer) is also shown.

Figure 9. USB Interface



The USB device registers and FIFOs are memory mapped. The USB Driver will use these registers to access the USB interface. The equivalent exists for the HCI communication over UART.

For transmission to the host, the USB & Serial Drivers interface with the HW via a set of registers and FIFOs, while in the other direction, the hardware may trigger the Drivers through a set of interrupts (identified by the RTOS, and directed to the appropriate Driver routines).

8.5 JTAG Interface

The JTAG interface is compliant with the JTAG IEEE Std 1149.1. It allows both the boundary scan of the digital pins and the debug of the ARM7TDMI application when connected with the standard ARM7 development tools.

8.6 RF Interface

The STLC2416 radio interface is compatible to BlueRF (unidirectional RxMode2 for data and unidirectional serial interface for control).

8.7 PCM voice interface

The voice interface is a direct PCM interface to connect to a standard CODEC (e.g. STw5093 or STw5094) including internal decimator and interpolator filters. The data can be linear PCM (13-16bit), μ -Law (8bit) or A-Law (8bit). By default the codec interface is configured as master. The encoding on the air interface is programmable to be CVSD, A-Law or μ -Law.

The PCM block is able to manage the PCM bus with up to 3 timeslots.

In master mode, PCM clock and data can operate at 2 MHz or at 2.048 MHz to allow interfacing of standard codecs.

The four signals of the PCM interface are:

- PCM_CLK : PCM clock
- PCM_SYNC : PCM 8kHz sync
- PCM_A : PCM data
- PCM_B : PCM data

Directions of PCM_A and PCM_B are software configurable.

Three additional PCM_SYNC signals can be provided via the GPIOs. See section 12 for more details.

Figure 10. PCM (A-law, μ -law) standard mode

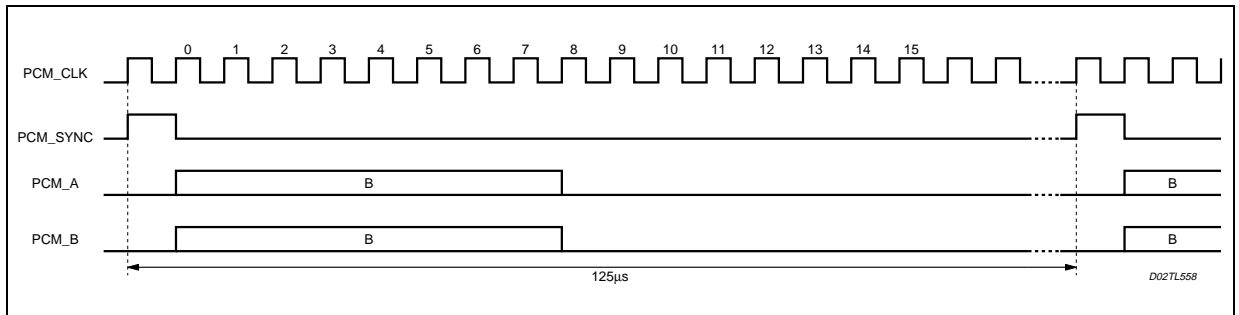


Figure 11. Linear mode

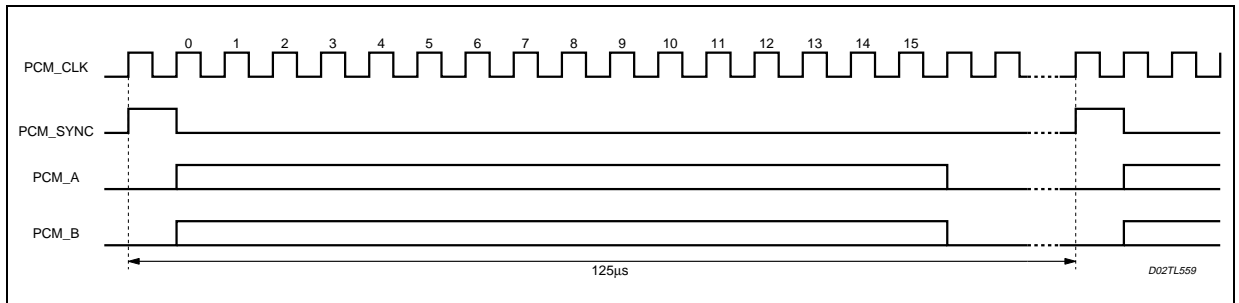
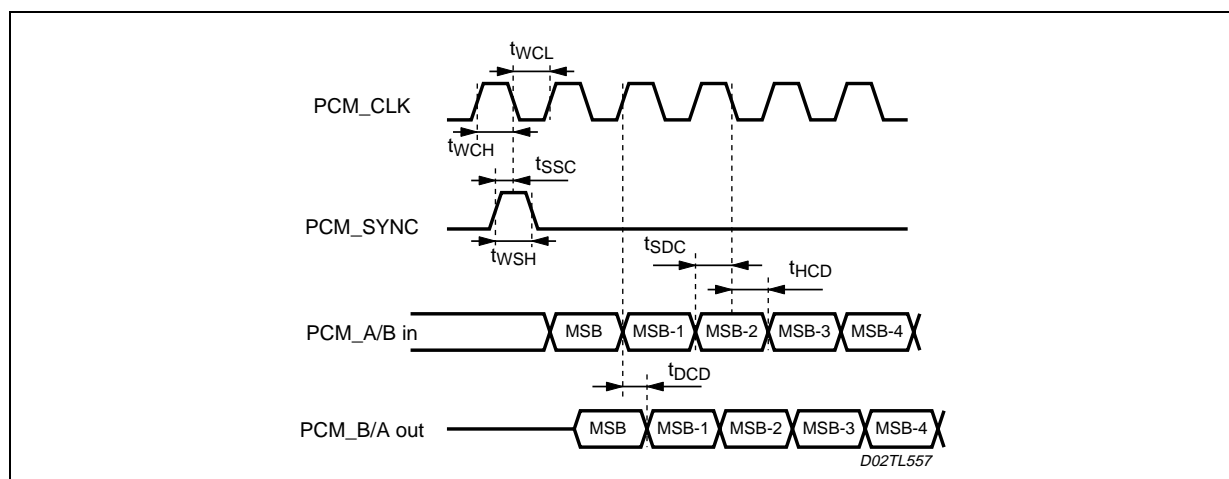


Table 13. PCM interface timing.

Symbol	Description	Min	Typ	Max	Unit
PCM Interface					
F _{pcm_clk}	Frequency of PCM_CLK (master)		2048		kHz
F _{pcm_sync}	Frequency of PCM_SYNC		8		kHz
t _{WCH}	High period of PCM_CLK	200			ns
t _{WCL}	Low period of PCM_CLK	200			ns
t _{WSH}	High period of PCM_SYNC	200			ns
t _{SSC}	Setup time, PCM_SYNC high to PCM_CLK low	100			ns
t _{SDC}	Setup time, PCM_A/B input valid to PCM_CLK low	100			ns
t _{HCD}	Hold time, PCM_CLK low to PCM_A/B input invalid	100			ns
t _{DCD}	Delay time, PCM_CLK high to PCM_A/B output valid			150	ns

Figure 12. PCM interface timing



9 HCI UART TRANSPORT LAYER

The UART Transport Layer has been specified by the Bluetooth™ SIG, and allows HCI level communication between a host controller (STLC2416) and a host (e.g. PC), via a serial line.

The objective of this HCI UART Transport Layer is to make it possible to use the Bluetooth™ HCI over a serial interface between two UARTs on the same PCB. The HCI UART Transport Layer assumes that the UART communication is free from line errors.

9.1 UART Settings

The HCI UART Transport Layer uses the following settings for RS232:

- Baud rate: Configurable (Default baud rate: 57.600 kbps)
- Number of data bits: 8
- Parity bit: no parity
- Stop bit: 1 stop bit
- Flow control: RTS/CTS
- Flow-off response time: 3 ms

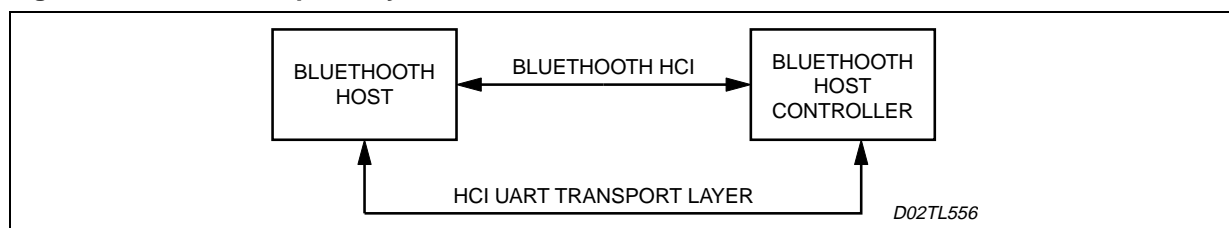
Flow control with RTS/CTS is used to prevent temporary UART buffer overrun. It should not be used for flow control of HCI, since HCI has its own flow control mechanisms for HCI commands, HCI events and HCI data.

If CTS is 1, then the Host/Host Controller is allowed to send.

If CTS is 0, then the Host/Host Controller is not allowed to send.

The flow-off response time defines the maximum time from setting RTS low until the byte flow actually stops. The signals should be connected in a null-modem fashion; i.e. the local TXD should be connected to the remote RXD and the local RTS should be connected to the remote CTS and vice versa.

Figure 13. UART Transport Layer



10 HCI USB TRANSPORT LAYER

The USB Transport Layer has been specified by the Bluetooth™ SIG, and allows HCI level communication between a host controller (STLC2416) and a host (e.g. PC), via a USB interface. The USB Transport Layer is completely implemented in SW. It accepts HCI messages from the HCI Layer, prepares it for transmission over a USB bus, and sends it to the USB Driver. It reassembles the HCI messages from USB data received from the USB Driver, and sends these messages to the HCI Layer. The Transport Layer does not interpret the contents (payload) of the HCI messages; it only examines the header.

11 CLASS1 POWER SUPPORT

The chip can control an external power amplifier (PA). Several signals are duplicated on GPIOs for this purpose in order to avoid digital/analogue noise loops in the radio.

A software controlled register enables the alternate functions of GPIO[15:6] to generate the signals for driving an external PA in a Bluetooth™ class1 power application.

Every bit enables a dedicated signal on a GPIO pin, as described in Table 14.

12 GPIOs

Table 14. GPIOs alternate functionalities

Involved GPIO	Description of alternate dedicated functionality
gpio0	No dedicated function
gpio1	WLAN 1
gpio2	WLAN 2
gpio3	WLAN 3
gpio4	WLAN 4
gpio5	(Used for USB reset pull.)
gpio6	Power Class 1 brxen
gpio7	Power Class 1 not_brxen
gpio8	Power Class 1 PA0 or PCM sync 1
gpio9	Power Class 1 PA1 or PCM sync 2
gpio10	Power Class 1 PA2 or PCM sync 3
gpio11	Power Class 1 PA3
gpio12	Power Class 1 PA4
gpio13	Power Class 1 PA5
gpio14	Power Class 1 PA6
gpio15	Power Class 1 PA7

The signal brxen is the same as the brxen radio output pin. The signal not_brxen is the inverted signal, in order to save components on the application board.

PA7 to PA0 are the power amplifier control lines. They are managed, on a connection basis, by the base-band core. The Power Level programmed for a certain Bluetooth™ connection is managed by the firmware, as specified in the Bluetooth™ SIG spec.

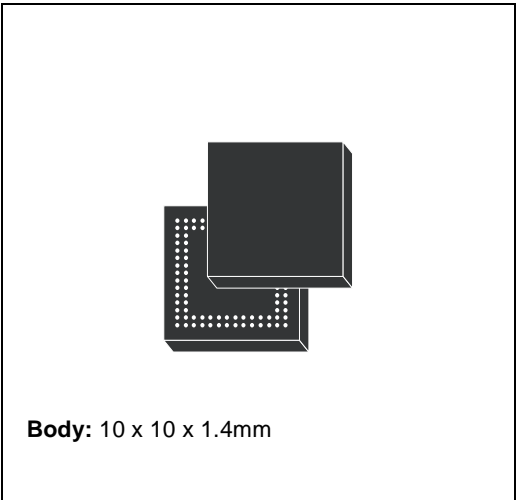
The WLAN signals, as described in section 7.12, can be enabled on GPIO pins.

The extra PCM sync signals, as described in section 8.7, can be flexibly configured on GPIO pins to connect multiple codecs.

Figure 14. LFBGA120 Mechanical Data & Package Dimensions

DIM.	mm			inch		
	MIN.	TYP.	MAX.	MIN.	TYP.	MAX.
A			1.40			0.055
A1	0.20			0.008		
A2		1			0.039	
b	0.25	0.30	0.35	0.010	0.012	0.014
D	9.90	10.00	10.10	0.390	0.394	0.398
D1		8.50			0.335	
D2		6.50			0.256	
E	9.90	10.00	10.10	0.390	0.394	0.398
E1		8.50			0.335	
E2		6.50			0.256	
eD	0.50 basic			0.020 basic		
eE	0.50 basic			0.020 basic		
FD		0.75			0.029	
FE		0.75			0.029	
mD	18					
mE	18					
n	120 balls					
SE	0.25 basic			0.0098 basic		
SD	0.25 basic			0.0098 basic		
Tolerance						
aaa	0.15			0.006		
bbb	0.10			0.0039		
ddd	0.08			0.0031		
eee	0.15			0.006		
fff	0.05			0.002		

OUTLINE AND MECHANICAL DATA



**LFBGA120
Low Fine Ball Grid Array**

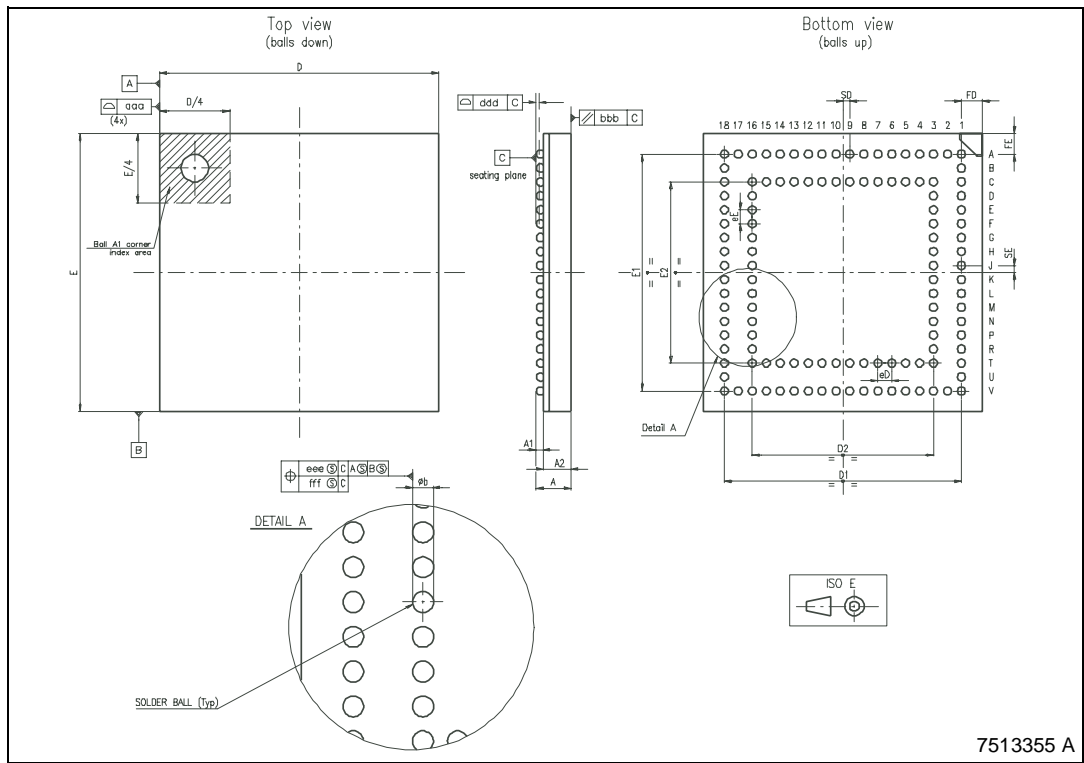


Table 15. Revision History

Date	Revision	Description of Changes
June 2004	1	First Issue

Information furnished is believed to be accurate and reliable. However, STMicroelectronics assumes no responsibility for the consequences of use of such information nor for any infringement of patents or other rights of third parties which may result from its use. No license is granted by implication or otherwise under any patent or patent rights of STMicroelectronics. Specifications mentioned in this publication are subject to change without notice. This publication supersedes and replaces all information previously supplied. STMicroelectronics products are not authorized for use as critical components in life support devices or systems without express written approval of STMicroelectronics.

The ST logo is a registered trademark of STMicroelectronics.

The BLUETOOTH™ word mark and logos are owned by the Bluetooth SIG, Inc. and any use of such marks by STMicroelectronics is under license. All other names are the property of their respective owners

© 2004 STMicroelectronics - All rights reserved

STMicroelectronics GROUP OF COMPANIES

Australia - Belgium - Brazil - Canada - China - Czech Republic - Finland - France - Germany - Hong Kong - India - Israel - Italy - Japan - Malaysia - Malta - Morocco - Singapore - Spain - Sweden - Switzerland - United Kingdom - United States

www.st.com