

TOSHIBA RECTIFIER SILICON DIFFUSED TYPE

S5566B, S5566G, S5566J, S5566N

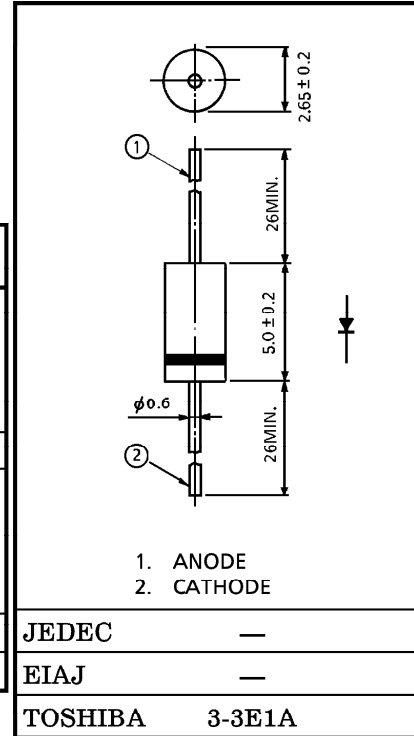
GENERAL PURPOSE RECTIFIER APPLICATIONS.

Unit in mm

- Average Forward Current : $I_F (AV) = 1A$
- Repetitive Peak Reverse Voltage : $V_{RRM} = 100 \sim 1000V$

MAXIMUM RATINGS (Ta = 25°C)

CHARACTERISTIC	SYMBOL	RATINGS	UNIT
Repetitive Peak Reverse Voltage	S5566B	100	V
	S5566G	400	
	S5566J	600	
	S5566N	1000	
Average Forward Current	$I_F (AV)$	1.0	A
Peak One Cycle Surge Forward Current (Non Repetitive)	S5566B	45 (50Hz)	A
	S5566G	49 (60Hz)	
	S5566J	30 (50Hz)	
	S5566N	33 (60Hz)	
Junction Temperature	T_j	-40~150	°C
Storage Temperature Range	T_{stg}	-40~150	°C

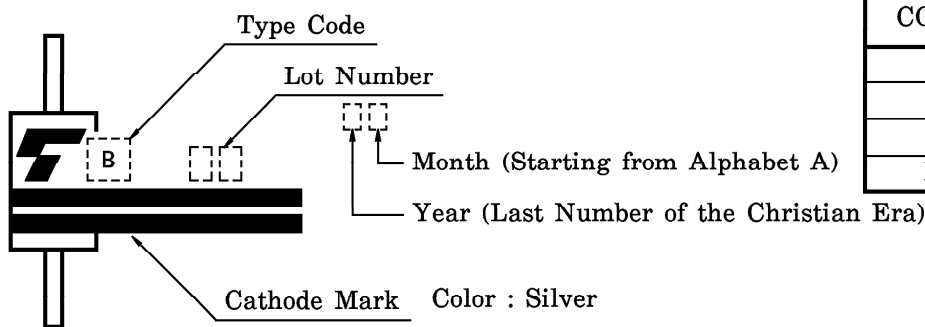


ELECTRICAL CHARACTERISTICS (Ta = 25°C)

Weight : 0.225g

CHARACTERISTIC	SYMBOL	TEST CONDITION	MIN.	TYP.	MAX.	UNIT
Peak Forward Voltage	V_{FM}	$I_{FM} = 1.0A$	—	—	1.2	V
Repetitive Peak Reverse Current	I_{RRM}	$V_{RRM} = \text{Rated}$	—	—	10	μA

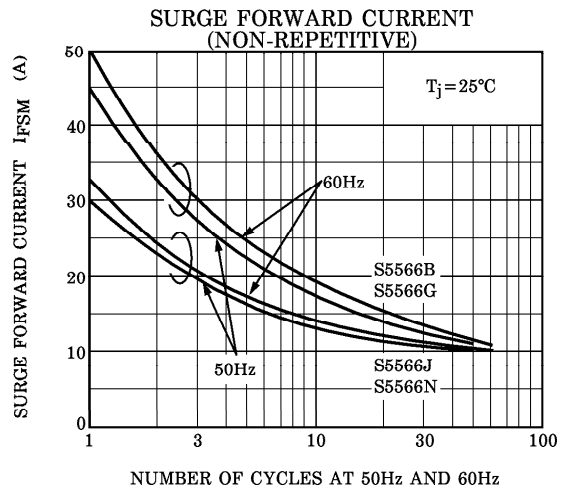
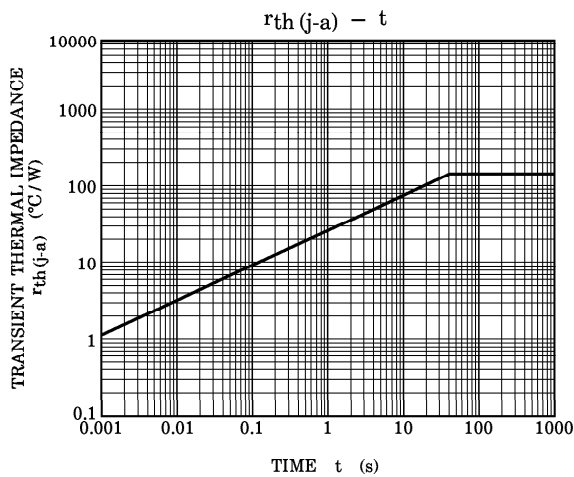
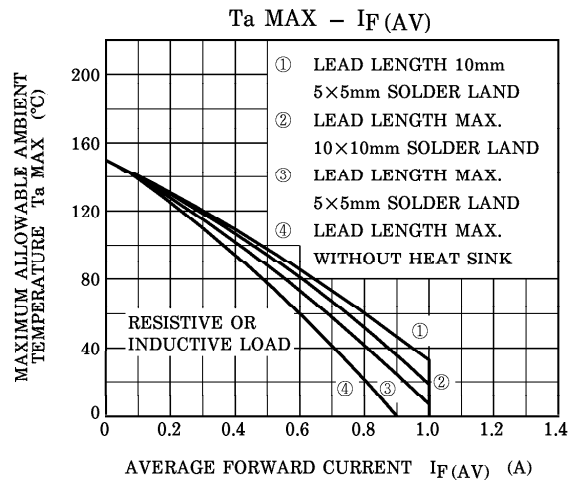
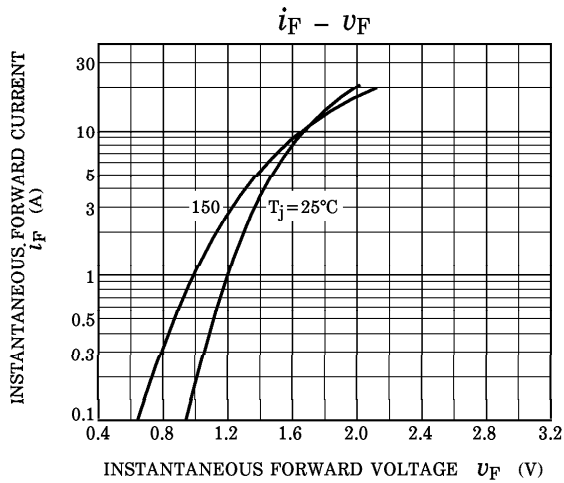
MARK



CODE	TYPE
B	S5566B
G	S5566G
J	S5566J
N	S5566N

961001EAA2

● TOSHIBA is continually working to improve the quality and the reliability of its products. Nevertheless, semiconductor devices in general can malfunction or fail due to their inherent electrical sensitivity and vulnerability to physical stress. It is the responsibility of the buyer, when utilizing TOSHIBA products, to observe standards of safety, and to avoid situations in which a malfunction or failure of a TOSHIBA product could cause loss of human life, bodily injury or damage to property. In developing your designs, please ensure that TOSHIBA products are used within specified operating ranges as set forth in the most recent products specifications. Also, please keep in mind the precautions and conditions set forth in the TOSHIBA Semiconductor Reliability Handbook.



NOTE : r_{th} MEASUREMENT CONDITION

- MAXIMUM LEAD LENGTH MAX.
- WITHOUT HEAT SINK

961001EAA2'

● The information contained herein is presented only as a guide for the applications of our products. No responsibility is assumed by TOSHIBA CORPORATION for any infringements of intellectual property or other rights of the third parties which may result from its use. No license is granted by implication or otherwise under any intellectual property or other rights of TOSHIBA CORPORATION or others.

● The information contained herein is subject to change without notice.