



STW6NA80 STH6NA80FI

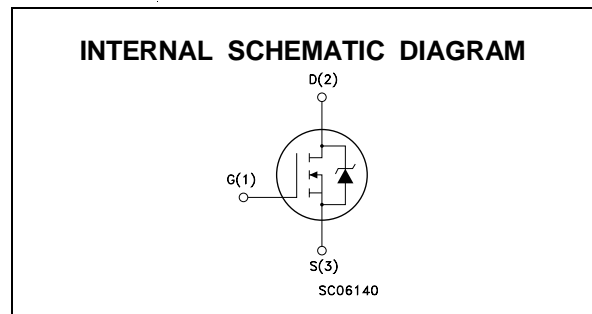
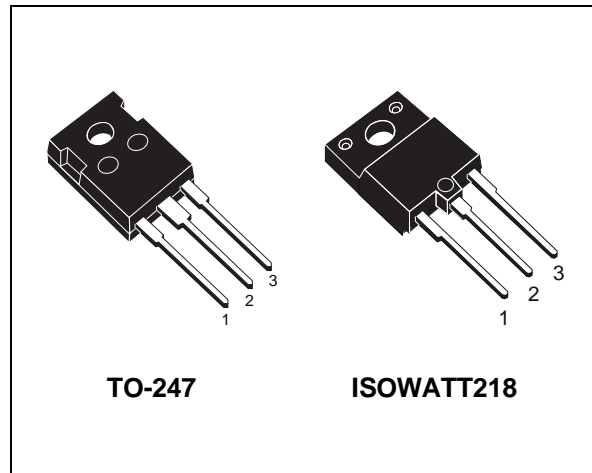
N - CHANNEL 800V - 1.8Ω - 5.4A - TO-247/ISOWATT218 FAST POWER MOS TRANSISTOR

| TYPE | V _{DSS} | R _{DS(on)} | I _D |
|------------|------------------|---------------------|----------------|
| STW6NA80 | 800 V | < 2.2 Ω | 5.4 A |
| STH6NA80FI | 800 V | < 2.2 Ω | 3.4 A |

- TYPICAL R_{DS(on)} = 1.8 Ω
- AVALANCHE RUGGED TECHNOLOGY
- 100% AVALANCHE TESTED
- REPETITIVE AVALANCHE DATA AT 100°C
- LOW GATE CHARGE
- VERY HIGH CURRENT CAPABILITY
- APPLICATION ORIENTED CHARACTERIZATION

APPLICATIONS

- HIGH CURRENT, HIGH SPEED SWITCHING
- SOLENOID AND RELAY DRIVERS
- REGULATORS
- DC-DC & DC-AC CONVERTERS
- MOTOR CONTROL, AUDIO AMPLIFIERS
- AUTOMOTIVE ENVIRONMENT (INJECTION, ABS, AIR-BAG, LAMPDRIVERS, Etc.)



ABSOLUTE MAXIMUM RATINGS

| Symbol | Parameter | Value | | Unit |
|---------------------|---|------------|------------|------|
| | | STW6NA80 | STH6NA80FI | |
| V _{DS} | Drain-source Voltage (V _{GS} = 0) | 800 | | V |
| V _{DGR} | Drain- gate Voltage (R _{GS} = 20 kΩ) | 800 | | V |
| V _{GS} | Gate-source Voltage | ± 30 | | V |
| I _D | Drain Current (continuous) at T _c = 25 °C | 5.4 | 3.4 | A |
| I _D | Drain Current (continuous) at T _c = 100 °C | 3.4 | 2.1 | A |
| I _{DM} (●) | Drain Current (pulsed) | 22 | 22 | A |
| P _{tot} | Total Dissipation at T _c = 25 °C | 150 | 60 | W |
| | Derating Factor | 1.2 | 0.48 | W/°C |
| V _{ISO} | Insulation Withstand Voltage (DC) | — | 4000 | V |
| T _{stg} | Storage Temperature | -65 to 150 | | °C |
| T _j | Max. Operating Junction Temperature | 150 | | °C |

(●) Pulse width limited by safe operating area

STW6NA80-STH6NA80FI

THERMAL DATA

| | | TO-247 | ISOWATT218 | |
|-----------------------|--|--------|------------|------|
| R _{thj-case} | Thermal Resistance Junction-case Max | 0.83 | 2.08 | °C/W |
| R _{thj-amb} | Thermal Resistance Junction-ambient Max | 30 | | °C/W |
| R _{thc-sink} | Thermal Resistance Case-sink Typ | 0.1 | | °C/W |
| T _I | Maximum Lead Temperature For Soldering Purpose | 300 | | °C |

AVALANCHE CHARACTERISTICS

| Symbol | Parameter | Max Value | Unit |
|-----------------|---|-----------|------|
| I _{AR} | Avalanche Current, Repetitive or Not-Repetitive (pulse width limited by T _j max, δ < 1%) | 5.4 | A |
| E _{AS} | Single Pulse Avalanche Energy (starting T _j = 25 °C, I _D = I _{AR} , V _{DD} = 50 V) | 150 | mJ |
| E _{AR} | Repetitive Avalanche Energy (pulse width limited by T _j max, δ < 1%) | 5.8 | mJ |
| I _{AR} | Avalanche Current, Repetitive or Not-Repetitive (T _c = 100 °C, pulse width limited by T _j max, δ < 1%) | 3.4 | A |

ELECTRICAL CHARACTERISTICS (T_{case} = 25 °C unless otherwise specified)

OFF

| Symbol | Parameter | Test Conditions | Min. | Typ. | Max. | Unit |
|----------------------|---|--|------|------|----------|----------|
| V _{(BR)DSS} | Drain-source Breakdown Voltage | I _D = 250 μA V _{GS} = 0 | 800 | | | V |
| I _{DSS} | Zero Gate Voltage Drain Current (V _{GS} = 0) | V _{DS} = Max Rating V _{DS} = Max Rating x 0.8 T _c = 100 °C | | | 25 50 | μA μA |
| I _{GSS} | Gate-body Leakage Current (V _{DS} = 0) | V _{GS} = ± 30 V | | | ± 100 | nA |

ON (*)

| Symbol | Parameter | Test Conditions | Min. | Typ. | Max. | Unit |
|---------------------|-----------------------------------|---|------|------|------------|--------|
| V _{GS(th)} | Gate Threshold Voltage | V _{DS} = V _{GS} I _D = 250 μA | 2.25 | 3 | 3.75 | V |
| R _{DS(on)} | Static Drain-source On Resistance | V _{GS} = 10 V I _D = 3 A V _{GS} = 10 V I _D = 3 A T _c = 100°C | | 1.8 | 2.2 4.4 | Ω Ω |
| I _{D(on)} | On State Drain Current | V _{DS} > I _{D(on)} x R _{DS(on)max} V _{GS} = 10 V | 5.4 | | | A |

DYNAMIC

| Symbol | Parameter | Test Conditions | Min. | Typ. | Max. | Unit |
|---------------------|------------------------------|--|------|------|------|------|
| g _{fs} (*) | Forward Transconductance | V _{DS} > I _{D(on)} x R _{DS(on)max} I _D = 3 A | 3 | 5.5 | | S |
| C _{iss} | Input Capacitance | V _{DS} = 25 V f = 1 MHz V _{GS} = 0 | | 1250 | 1700 | pF |
| C _{oss} | Output Capacitance | | | 140 | 190 | pF |
| C _{rss} | Reverse Transfer Capacitance | | | 35 | 50 | pF |

ELECTRICAL CHARACTERISTICS (continued)

SWITCHING ON

| Symbol | Parameter | Test Conditions | Min. | Typ. | Max. | Unit |
|----------------|-----------------------|---|------|------|------|------------------|
| $t_{d(on)}$ | Turn-on Time | $V_{DD} = 400\text{ V}$ $I_D = 3\text{ A}$ | | 40 | 55 | ns |
| t_r | Rise Time | $R_G = 4.7\ \Omega$ $V_{GS} = 10\text{ V}$ (see test circuit, figure 3) | | 100 | 135 | ns |
| $(di/dt)_{on}$ | Turn-on Current Slope | $V_{DD} = 640\text{ V}$ $I_D = 6\text{ A}$ $R_G = 47\ \Omega$ $V_{GS} = 10\text{ V}$ (see test circuit, figure 5) | | 180 | | A/ μs |
| Q_g | Total Gate Charge | $V_{DD} = 640\text{ V}$ $I_D = 6\text{ A}$ $V_{GS} = 10\text{ V}$ | | 55 | 75 | nC |
| Q_{gs} | Gate-Source Charge | | | 8 | | nC |
| Q_{gd} | Gate-Drain Charge | | | 24 | | nC |

SWITCHING OFF

| Symbol | Parameter | Test Conditions | Min. | Typ. | Max. | Unit |
|---------------|-----------------------|---|------|------|------|------|
| $t_{r(Voff)}$ | Off-voltage Rise Time | $V_{DD} = 640\text{ V}$ $I_D = 6\text{ A}$ | | 75 | 100 | ns |
| t_f | Fall Time | $R_G = 47\ \Omega$ $V_{GS} = 10\text{ V}$ (see test circuit, figure 5) | | 25 | 35 | ns |
| t_c | Cross-over Time | | | 110 | 150 | ns |

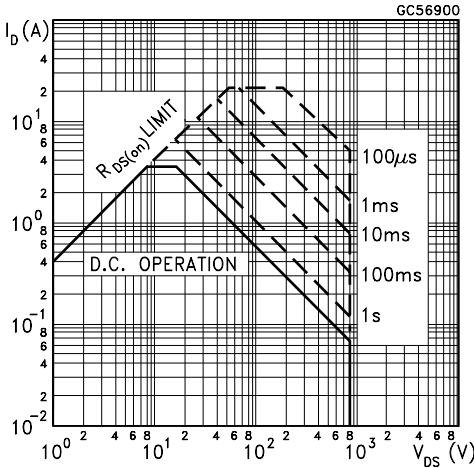
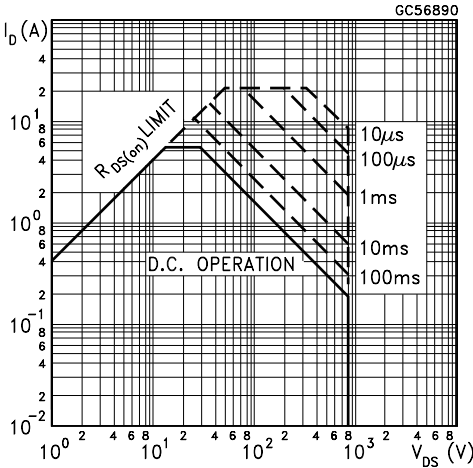
SOURCE DRAIN DIODE

| Symbol | Parameter | Test Conditions | Min. | Typ. | Max. | Unit |
|--------------------|-------------------------------|---|------|------|------|---------------|
| I_{SD} | Source-drain Current | | | | 5.4 | A |
| $I_{SDM}(\bullet)$ | Source-drain Current (pulsed) | | | | 22 | A |
| $V_{SD} (*)$ | Forward On Voltage | $I_{SD} = 6\text{ A}$ $V_{GS} = 0$ | | | 1.6 | V |
| t_{rr} | Reverse Recovery Time | $I_{SD} = 6\text{ A}$ $di/dt = 100\text{ A}/\mu\text{s}$ $V_{DD} = 100\text{ V}$ $T_j = 150\text{ }^\circ\text{C}$ (see test circuit, figure 5) | | 800 | | ns |
| Q_{rr} | Reverse Recovery Charge | | | 15.2 | | μC |
| I_{RRM} | Reverse Recovery Current | | | 38 | | A |

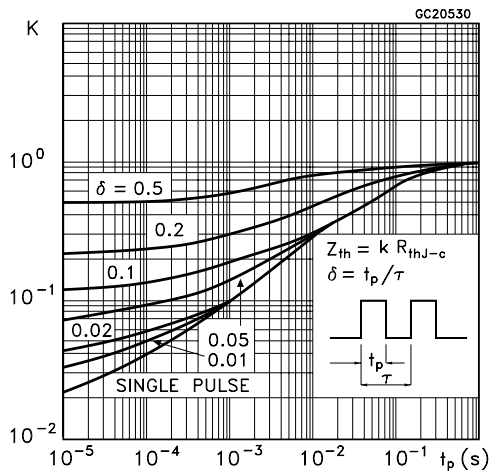
(*) Pulsed: Pulse duration = 300 μs , duty cycle 1.5 %
 (•) Pulse width limited by safe operating area

Safe Operating Area for TO-247

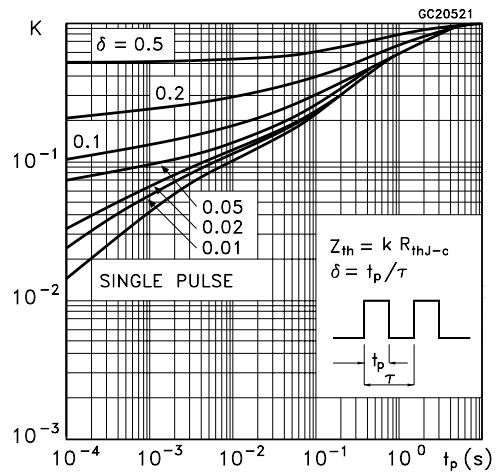
Safe Operating Area for ISOWATT218



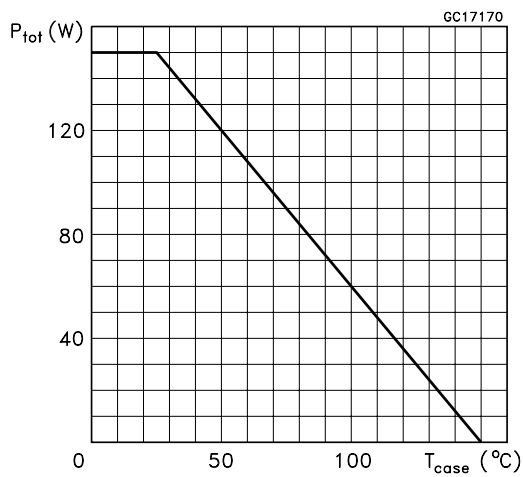
Thermal Impedance for TO-247



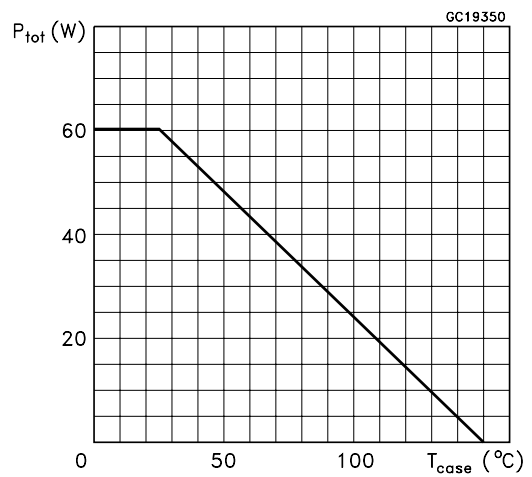
Thermal Impedance for ISOWATT218



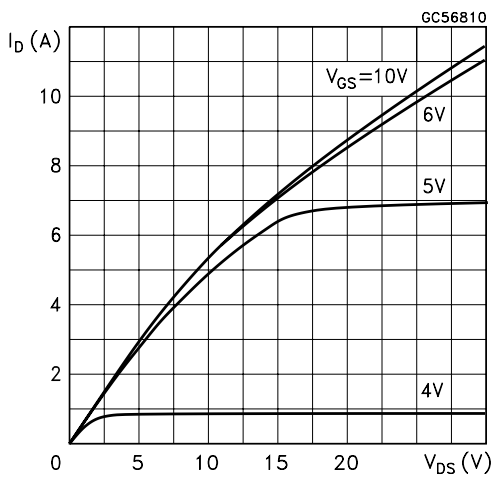
Derating Curve for TO-247



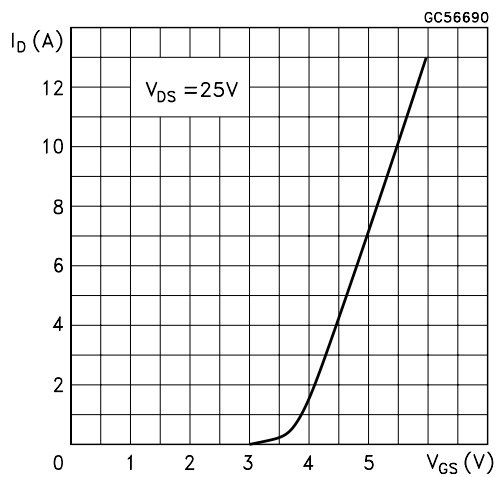
Derating Curve for ISOWATT218



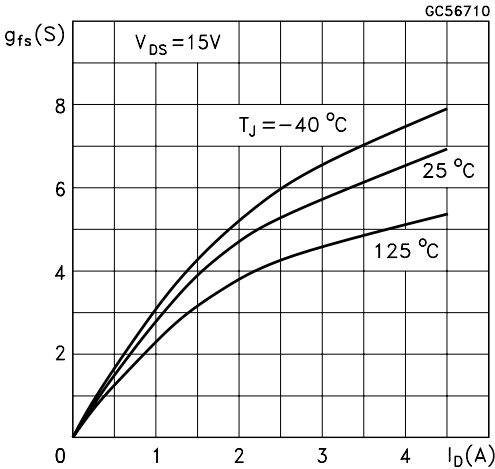
Output Characteristics



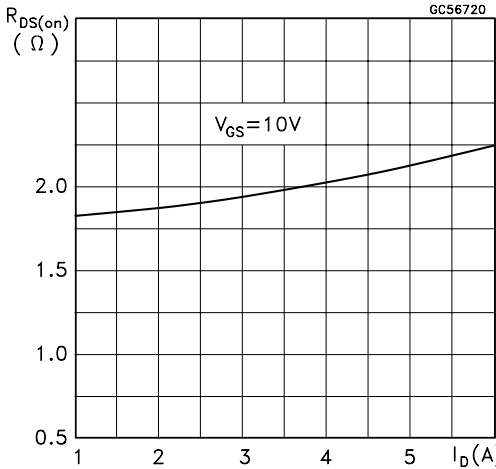
Transfer Characteristics



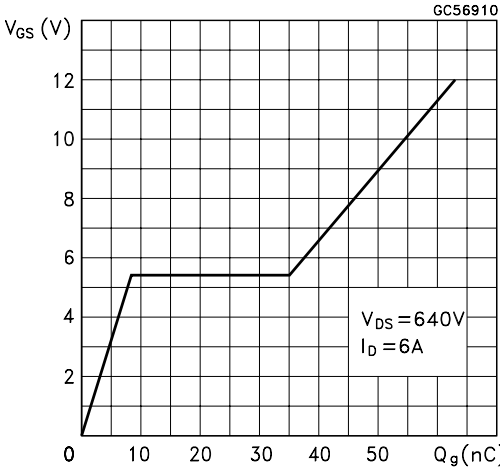
Transconductance



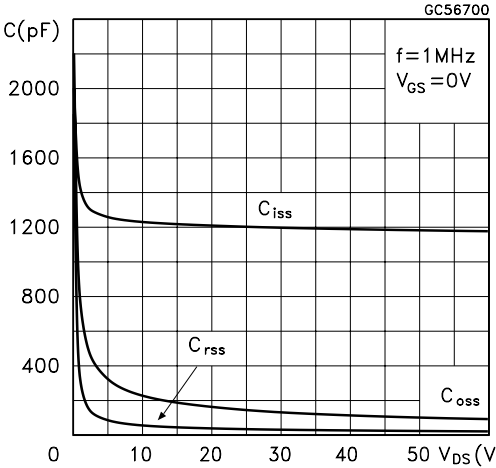
Static Drain-source On Resistance



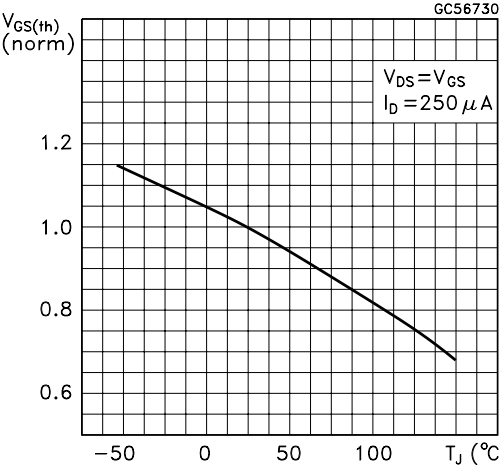
Gate Charge vs Gate-source Voltage



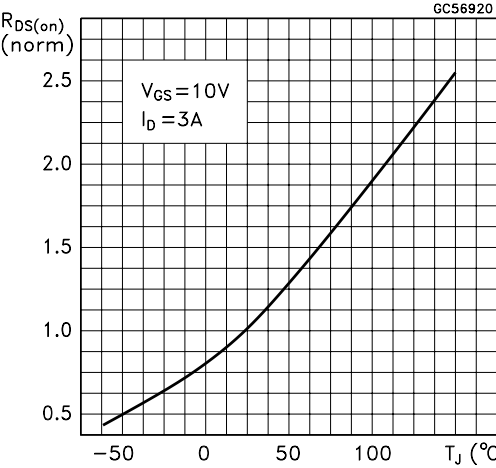
Capacitance Variations



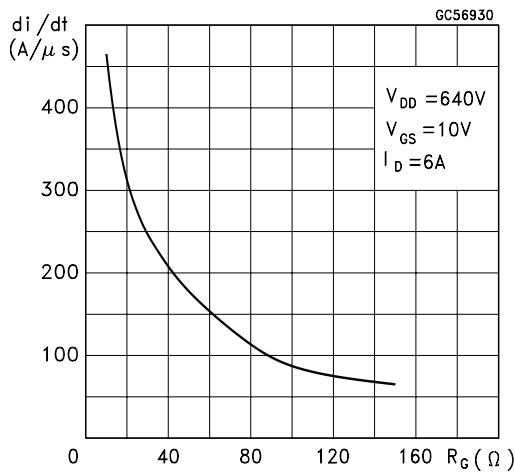
Normalized Gate Threshold Voltage vs Temperature



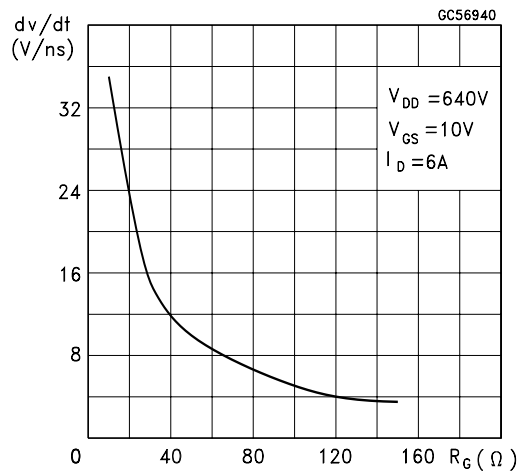
Normalized On Resistance vs Temperature



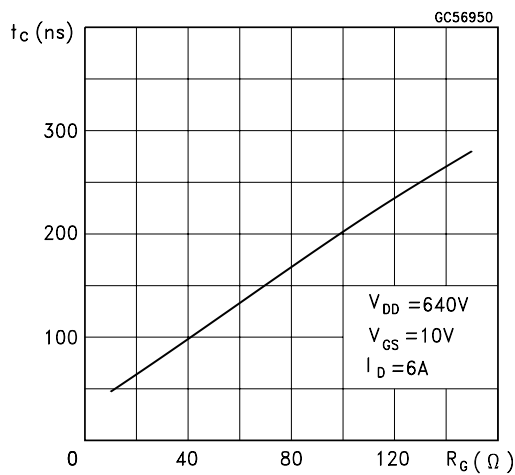
Turn-on Current Slope



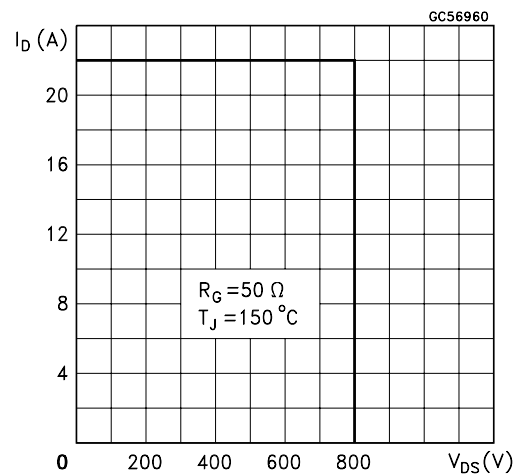
Turn-off Drain-source Voltage Slope



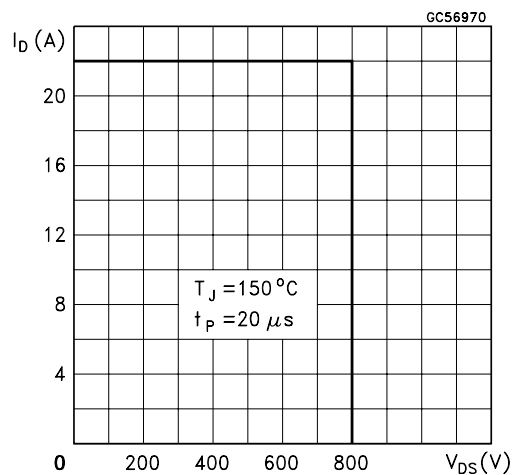
Cross-over Time



Switching Safe Operating Area



Accidental Overload Area



Source-drain Diode Forward Characteristics

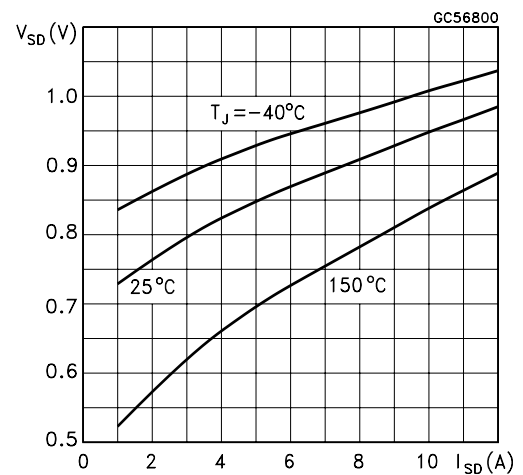


Fig. 1: Unclamped Inductive Load Test Circuit

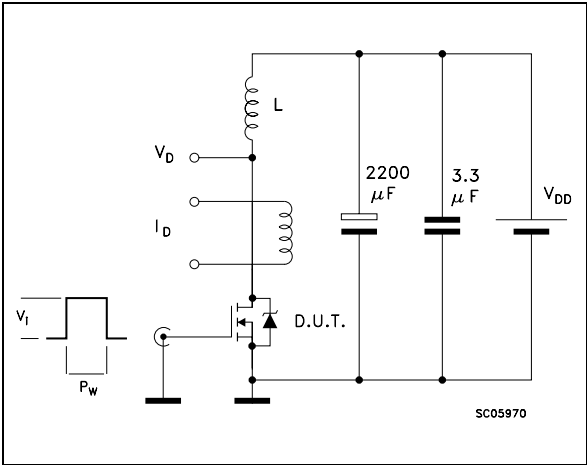


Fig. 2: Unclamped Inductive Waveform

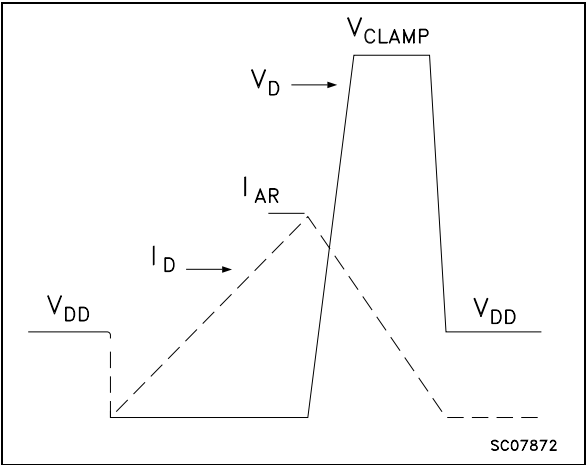


Fig. 3: Switching Times Test Circuits For Resistive Load

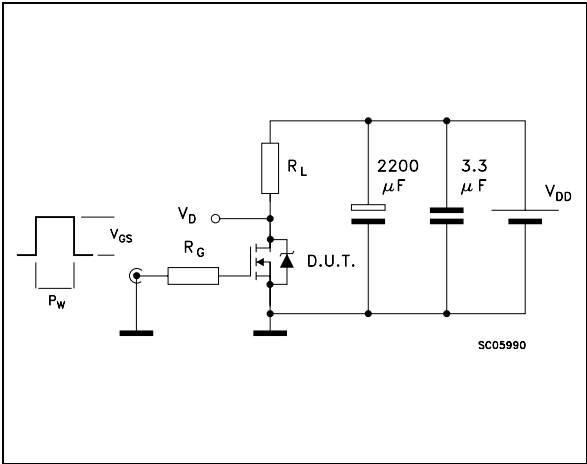


Fig. 4: Gate Charge test Circuit

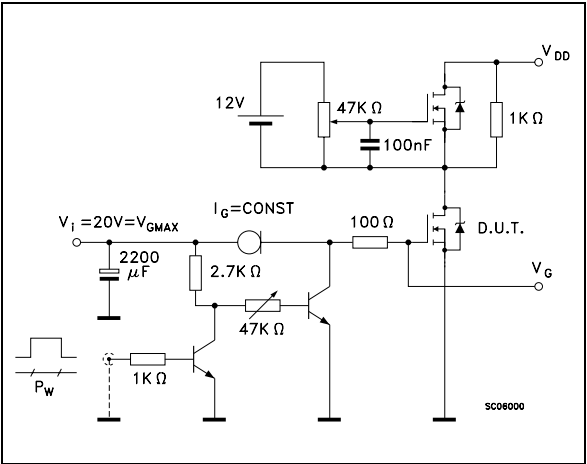
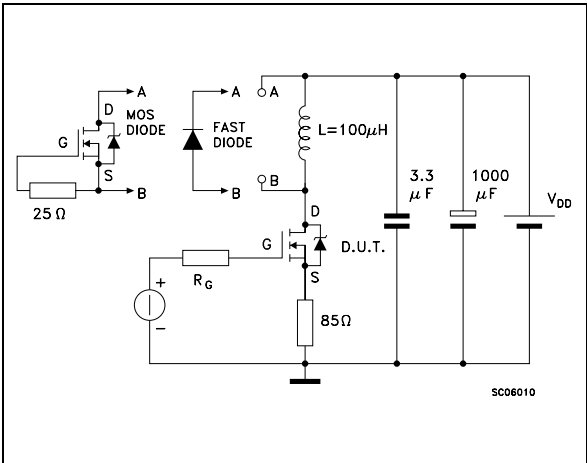
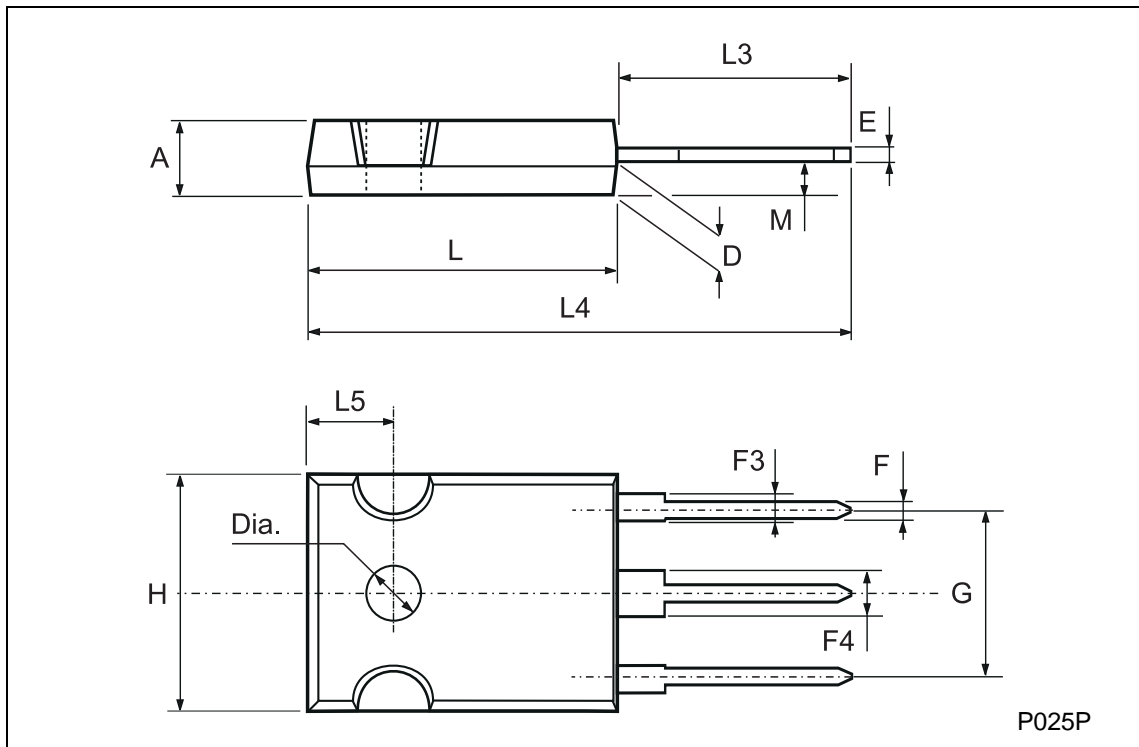


Fig. 5: Test Circuit For Inductive Load Switching And Diode Recovery Times



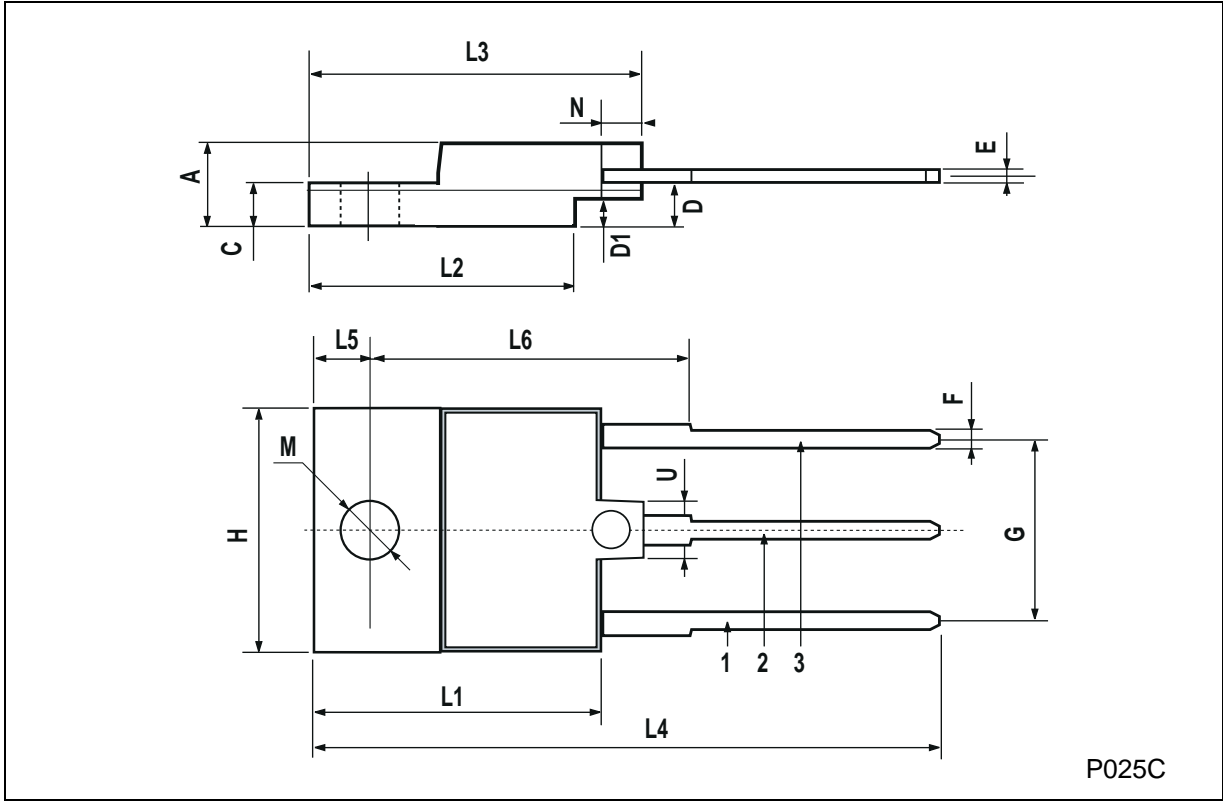
TO-247 MECHANICAL DATA

| DIM. | mm | | | inch | | |
|------|------|------|------|-------|-------|-------|
| | MIN. | TYP. | MAX. | MIN. | TYP. | MAX. |
| A | 4.7 | | 5.3 | 0.185 | | 0.209 |
| D | 2.2 | | 2.6 | 0.087 | | 0.102 |
| E | 0.4 | | 0.8 | 0.016 | | 0.031 |
| F | 1 | | 1.4 | 0.039 | | 0.055 |
| F3 | 2 | | 2.4 | 0.079 | | 0.094 |
| F4 | 3 | | 3.4 | 0.118 | | 0.134 |
| G | | 10.9 | | | 0.429 | |
| H | 15.3 | | 15.9 | 0.602 | | 0.626 |
| L | 19.7 | | 20.3 | 0.776 | | 0.779 |
| L3 | 14.2 | | 14.8 | 0.559 | 0.413 | 0.582 |
| L4 | | 34.6 | | | 1.362 | |
| L5 | | 5.5 | | | 0.217 | |
| M | 2 | | 3 | 0.079 | | 0.118 |
| Dia | 3.55 | | 3.65 | 0.140 | | 0.144 |



ISOWATT218 MECHANICAL DATA

| DIM. | mm | | | inch | | |
|------|-------|------|-------|-------|-------|-------|
| | MIN. | TYP. | MAX. | MIN. | TYP. | MAX. |
| A | 5.35 | | 5.65 | 0.210 | | 0.222 |
| C | 3.3 | | 3.8 | 0.130 | | 0.149 |
| D | 2.9 | | 3.1 | 0.114 | | 0.122 |
| D1 | 1.88 | | 2.08 | 0.074 | | 0.081 |
| E | 0.75 | | 1 | 0.029 | | 0.039 |
| F | 1.05 | | 1.25 | 0.041 | | 0.049 |
| G | 10.8 | | 11.2 | 0.425 | | 0.441 |
| H | 15.8 | | 16.2 | 0.622 | | 0.637 |
| L1 | 20.8 | | 21.2 | 0.818 | | 0.834 |
| L2 | 19.1 | | 19.9 | 0.752 | | 0.783 |
| L3 | 22.8 | | 23.6 | 0.897 | | 0.929 |
| L4 | 40.5 | | 42.5 | 1.594 | | 1.673 |
| L5 | 4.85 | | 5.25 | 0.190 | | 0.206 |
| L6 | 20.25 | | 20.75 | 0.797 | | 0.817 |
| M | 3.5 | | 3.7 | 0.137 | | 0.145 |
| N | 2.1 | | 2.3 | 0.082 | | 0.090 |
| U | | 4.6 | | | 0.181 | |



Information furnished is believed to be accurate and reliable. However, STMicroelectronics assumes no responsibility for the consequences of use of such information nor for any infringement of patents or other rights of third parties which may result from its use. No license is granted by implication or otherwise under any patent or patent rights of STMicroelectronics. Specification mentioned in this publication are subject to change without notice. This publication supersedes and replaces all information previously supplied. STMicroelectronics products are not authorized for use as critical components in life support devices or systems without express written approval of STMicroelectronics.

The ST logo is a registered trademark of STMicroelectronics

© 1998 STMicroelectronics – Printed in Italy – All Rights Reserved

STMicroelectronics GROUP OF COMPANIES

Australia - Brazil - Canada - China - France - Germany - Italy - Japan - Korea - Malaysia - Malta - Mexico - Morocco - The Netherlands - Singapore - Spain - Sweden - Switzerland - Taiwan - Thailand - United Kingdom - U.S.A.

<http://www.st.com>