



STB7101

0.9/1.9GHz BROAD BAND PRE-POWER AMPLIFIER

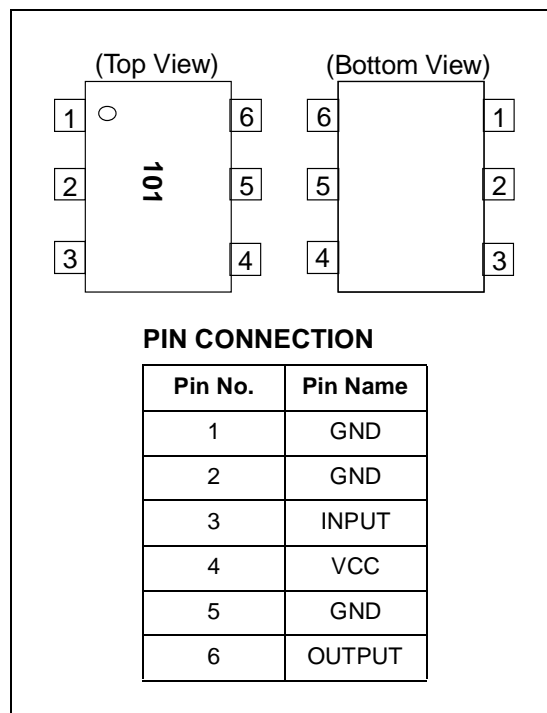
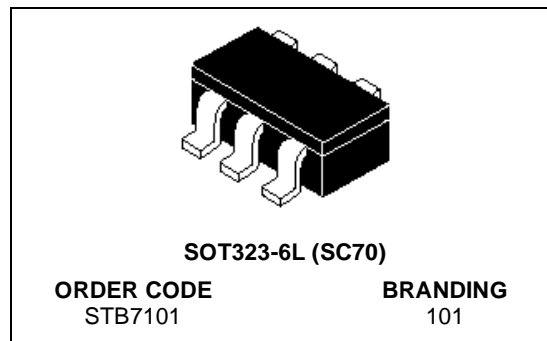
- OPERATING FREQUENCY 900-1900MHz
- OUTPUT POWER 9.8dBm typ. @ 900MHz
7.5dBm typ. @ 1900MHz
- POWER GAIN $G_P = 20.3\text{dB}$ typ. @ 900MHz
 $G_P = 20.5\text{dB}$ typ. @ 1900MHz

APPLICATIONS

PA driver for cellular applications

DESCRIPTION

The STB7101, designed for cellular applications (0.9/1.9GHz), uses a 20 GHz F_T silicon bipolar process. This IC is a wide range amplifier operating from 900MHz to 1900MHz, in the overall frequencies range the gain flatness is less than 1 dB. The STB7101 is housed in a very small SMD package SOT323-6L.



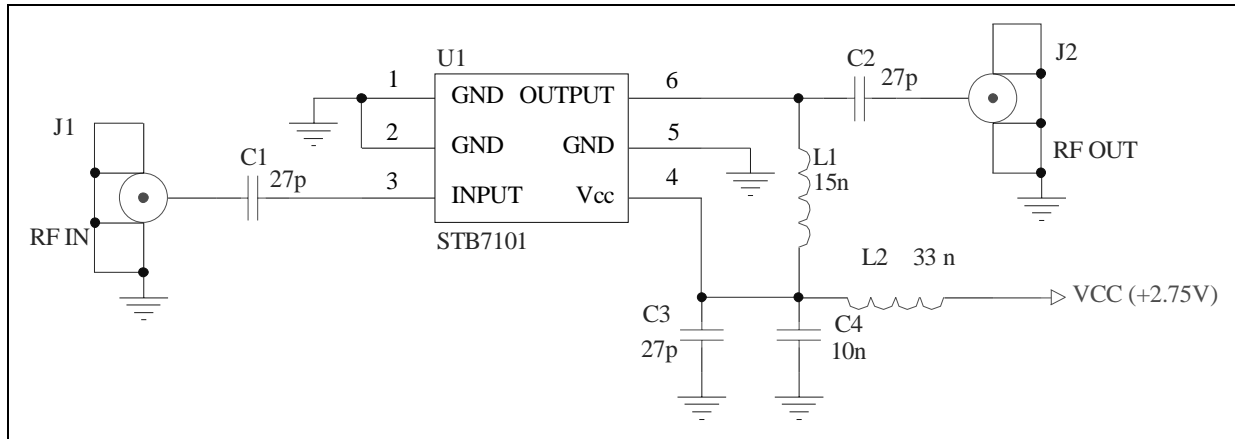
ABSOLUTE MAXIMUM RATINGS

Symbol	Parameter	Conditions	Value	Unit
V_{CC}	Supply voltage	$T_a = +25^\circ\text{C}$, pin 4 and 6	4.5	V
T_{stg}	Storage temperature		-55 to +150	$^\circ\text{C}$
T_a	Operating ambient temperature		-40 to +85	$^\circ\text{C}$
P_{in}	Input power	$T_a = +25^\circ\text{C}$	10	dBm

ELECTRICAL CHARACTERISTICS ($T_a = +25^{\circ}\text{C}$, $V_{cc} = 2.75\text{V}$, $Z_L = Z_S = 50\Omega$, unless otherwise specified)

Symbol	Parameter	Test Conditions	Min.	Typ.	Max.	Unit
V_{cc}	Supply voltage		2.6	2.75	3.3	V
I_{cc}	Circuit current	No signal		28		mA
G_p	Power Gain	$f = 0.9\text{GHz}$ $f = 1.9\text{GHz}$		20.3 20.5		dB
NF	Noise figure	$f = 0.9\text{GHz}$ $f = 1.9\text{GHz}$		5 4.5		dB
$P_{1\text{dB}}$	Output 1dB Compr. Power	$f = 0.9\text{GHz}$ $f = 1.9\text{GHz}$		9.8 7.5		dBm
RL_{IN}	Input return loss	$f = 0.9\text{GHz}$ $f = 1.9\text{GHz}$		8 6.2		dB
RL_{OUT}	Output Return loss	$f = 0.9\text{GHz}$ $f = 1.9\text{GHz}$		9.7 9.7		dB
S_{12}	Isolation	$f = 0.9\text{GHz}$ $f = 1.9\text{GHz}$		-34 -33		dB
$P_o(\text{Sat})$	Saturated output power level	$f = 0.9\text{GHz}$ $f = 1.9\text{GHz}$		11.3 9.7		dBm
OIP3	Output Third Order Intercept	$f = 0.9\text{GHz}$ $f = 1.9\text{GHz}$		16.5 14.9		dBm

TYPICAL EVALUATION CIRCUIT

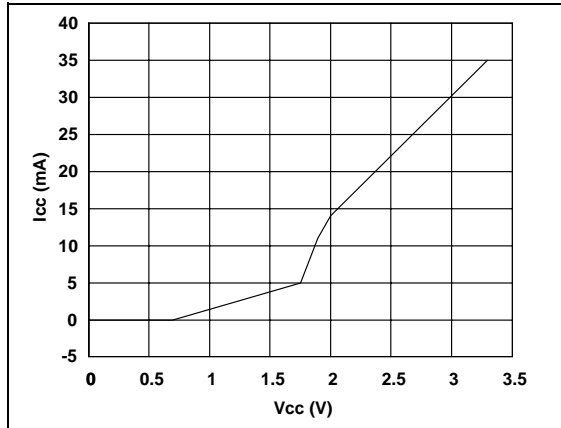


Evaluation circuit components

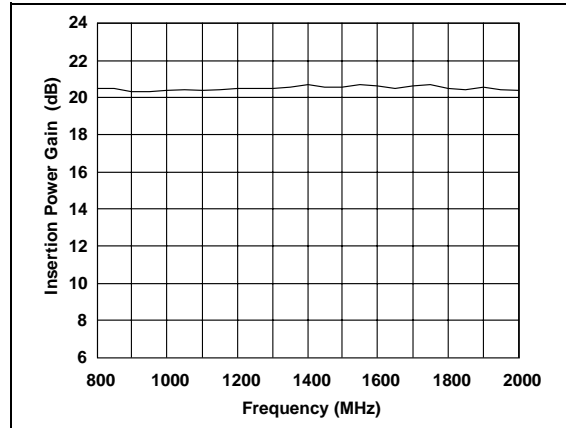
$C1 = C2 = C3 = 27\text{pF}$
$C4 = 10\text{nF}$
$L1 = 15\text{nH}$
$L2 = 33\text{nH}$

TYPICAL PERFORMANCE ($T_a = +25\text{ }^\circ\text{C}$, $V_{cc} = 2.75\text{V}$, unless otherwise specified)

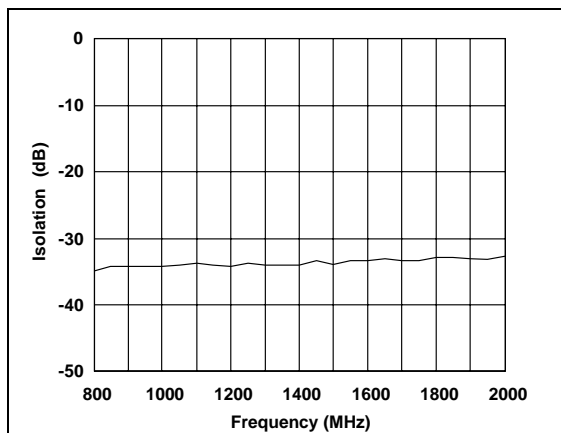
Circuit Current versus Supply Voltage



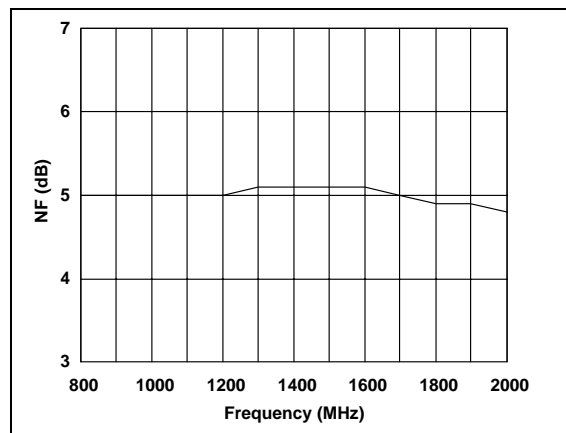
Insertion Power Gain versus Frequency



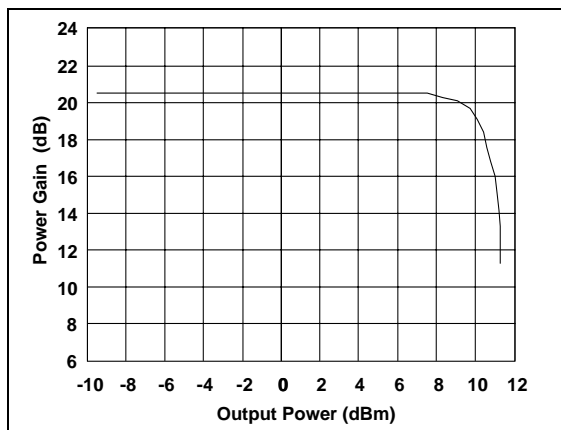
Isolation versus Frequency



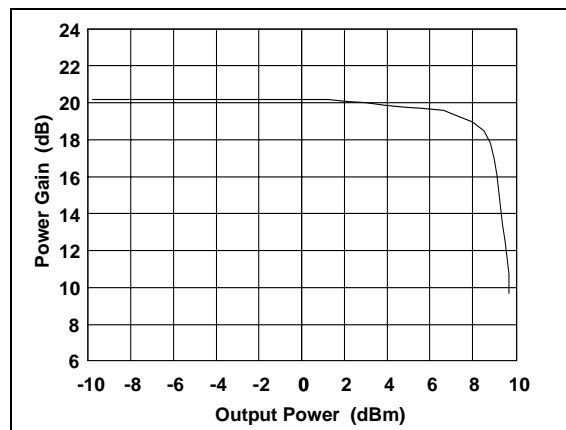
Noise Figure versus Frequency



Power Gain versus Output Power @ 900 MHz

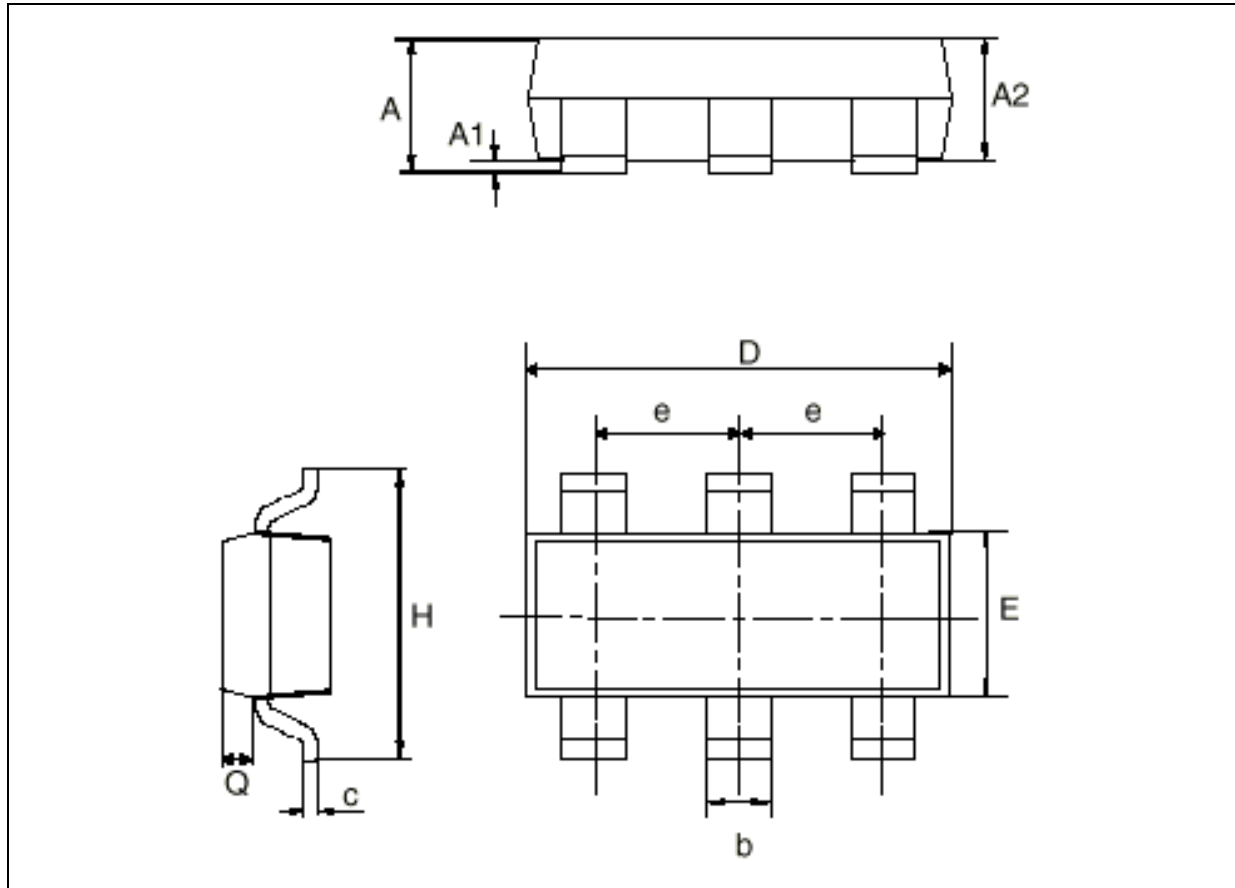


Power Gain versus Output Power @ 1900 MHz



SOT323-6L MECHANICAL DATA

DIM.	mm			Inch		
	MIN.	TYP.	MAX	MIN.	TYP.	MAX
A	0.8		1.1	0.031		0.043
A1	0		0.1	0		0.004
A2	0.8		1	0.0031		0.039
b	0.15		0.3	0.006		0.012
c	0.1		0.18	0.004		0.007
D	1.8		2.2	0.071		0.088
E	1.15		1.35	0.045		0.59
e		0.65			0.025	
H	1.8		2.4	0.071		0.094
Q	0.1		0.4	0.004		0.016



Information furnished is believed to be accurate and reliable. However, STMicroelectronics assumes no responsibility for the consequences of use of such information nor for any infringement of patents or other rights of third parties which may result from its use. No license is granted by implication or otherwise under any patent or patent rights of STMicroelectronics. Specifications mentioned in this publication are subject to change without notice. This publication supersedes and replaces all information previously supplied. STMicroelectronics products are not authorized for use as critical components in life support devices or systems without express written approval of STMicroelectronics.

The ST logo is registered trademark of STMicroelectronics
© 2002 STMicroelectronics - All Rights Reserved

All other names are the property of their respective owners.

STMicroelectronics GROUP OF COMPANIES
Australia - Brazil - Canada - China - Finland - France - Germany - Hong Kong - India - Israel - Italy - Japan -
Malaysia - Malta - Morocco - Singapore - Spain - Sweden - Switzerland - United Kingdom - U.S.A.
<http://www.st.com>