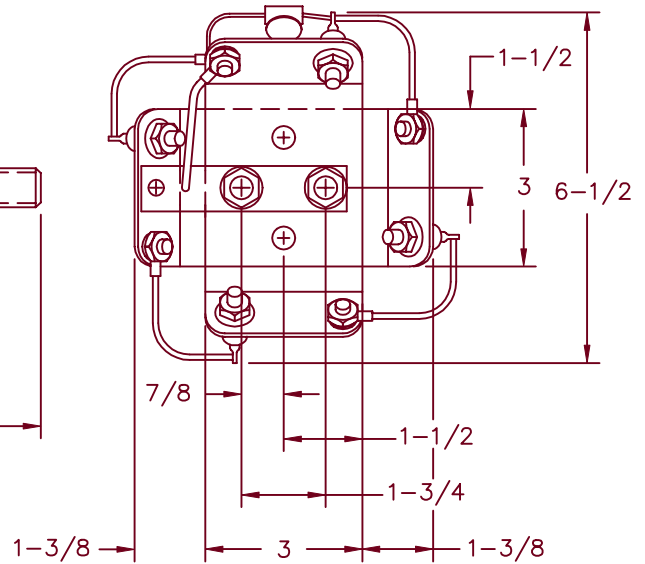
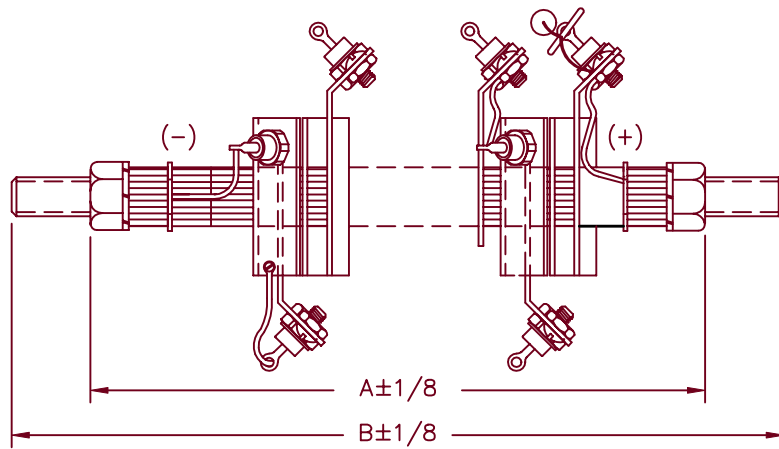
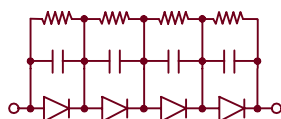


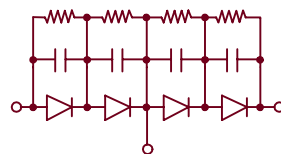
High Voltage Rectifier Assembly LHV37 Series



Mounting: Horizontal (convection cooling)
 Horizontal or vertical (forced air or oil)
 DC output rating— 19 Amps/25°C convection cooled
 — 50 Amps/40°C forced air cooled
 @ 1000 LFM
 — 75 Amps/40°C oil cooled
 Peak Reverse voltage— from 8KV to 80KV



H = Halfwave



D = Doubler

- Single Phase Halfwave Or Doubler
- Gold Iridited Aluminum Heatsinks
- Each Diode is R-C Compensated
- 1500 Amperes Surge Current (1 Cycle)
- Resistive - Inductive Load. Derate 20% for Capacitive Loads

CATALOG NUMBER	PRV RATING KV	DIMENSION A	DIMENSION B
LHV37*8	8	5-5/8	7-3/4
LHV37*12	12	6-3/4	8-3/4
LHV37*16	16	7-7/8	10
LHV37*20	20	9	11
LHV37*24	24	10-1/8	12-1/4
LHV37*28	28	11-1/4	13-1/4
LHV37*32	32	12-3/8	14-1/2
LHV37*36	36	13-1/2	15-1/2
LHV37*40	40	14-5/8	16-3/4
LHV37*44	44	15-3/4	17-3/4
LHV37*48	48	16-7/8	19
LHV37*52	52	18	20
LHV37*56	56	19-1/8	21-1/4
LHV37*60	60	20-1/4	22-1/4
LHV37*64	64	21-3/8	23-1/2
LHV37*68	68	22-1/2	24-1/2
LHV37*72	72	23-5/8	25-3/4
LHV37*76	76	24-3/4	27
LHV37*80	80	25-5/8	28

*Add H or D For doublers add 1" to both dimensions A & B

3-9-01 Rev. IR

LHV37

