

**PRELIMINARY**

MITSUBISHI LASER DIODES  
**ML9XX25 SERIES**

980nm High Power Laser Diode

**TYPE  
NAME**

**ML9xx25 (1480nm High Power LD)**

**DESCRIPTION**

ML9xx25 series are InGaAsP high power laser diodes which provide a stable, single transverse mode oscillation with emission wavelength of 1480nm and standard continuous light output of 200mW .

**FEATURES**

- High Power (CW 200mW)
  - 1480nm typical emission wavelength
  - High reliability, long operation life
  - MQW\*- Fabry - Perot Laser
- \* Multiple Quantum Well

**APPLICATION**

- Er-doped fiber amplifier

**ABSOLUTE MAXIMUM RATINGS**

Symbol	Parameter	Conditions	Ratings	Unit
P <sub>o</sub>	Light output power	CW	220	mW
I <sub>F</sub>	Forward current	CW	80.0	mA
V <sub>R</sub>	Reverse voltage	-	2	V
T <sub>c</sub>	Case temperature	-	+ 20 ~ +30	deg.C
T <sub>stg</sub>	Storage temperature	-	- 40 ~ +100	deg.C

**ELECTRICAL/OPTICAL CHARACTERISTICS** ( T<sub>c</sub>=25deg.C )

Symbol	Parameter	Test conditions	Min.	Typ.	Max	Unit
I <sub>th</sub>	Threshold current	CW	-	20	40	mA
I <sub>op</sub>	Operation current	CW, P <sub>o</sub> =200mW	-	520	650	mA
V <sub>op</sub>	Operating voltage	CW, P <sub>o</sub> =200mW	-	1.5	2.0	V
λ <sub>c</sub>	Center wavelength	CW, P <sub>o</sub> =200mW	1460	1475	1490	nm
Δλ	Spectral width (RMS , -20dB)	CW, P <sub>o</sub> =200mW, RMS	-	3	10	nm
θ <sub>//</sub>	Beam divergence angle (parallel)	CW, P <sub>o</sub> =200mW	-	25	30	deg.
θ <sub>⊥</sub>	Beam divergence angle (perpendicular)	CW, P <sub>o</sub> =200mW	-	30	35	deg.

**PRELIMINARY**

MITSUBISHI LASER DIODES  
**ML9XX25 SERIES**  
1480nm High Power Laser Diode

**TYPICAL CHARACTERISTICS**

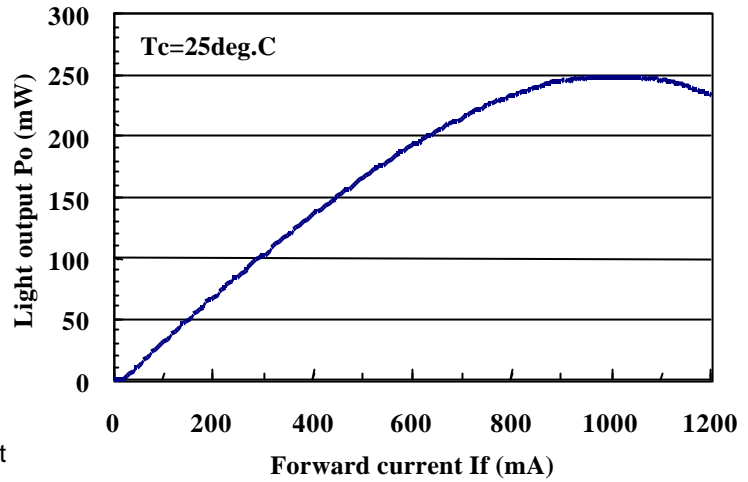


Fig.1 Light output vs. forward current

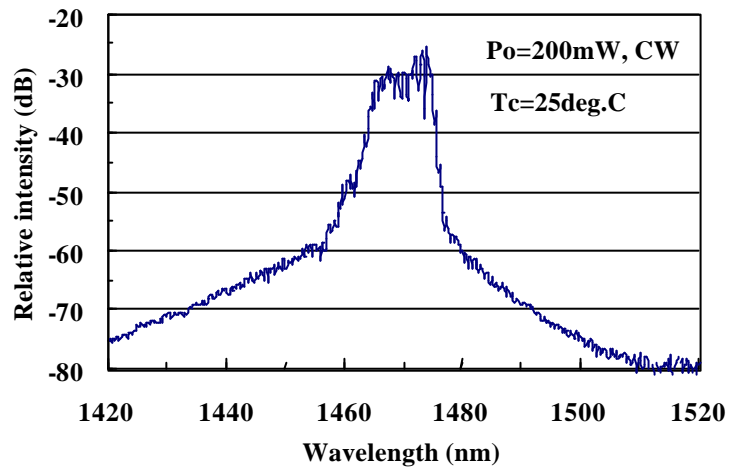


Fig.2 Spectrum

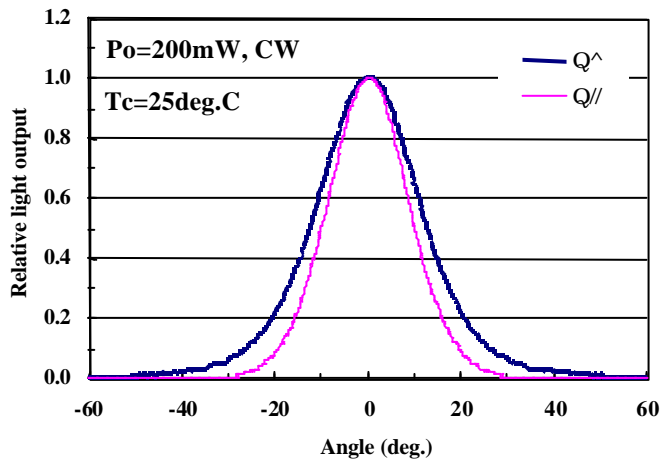


Fig.3 Far field pattern

**PRELIMINARY**

MITSUBISHI LASER DIODES

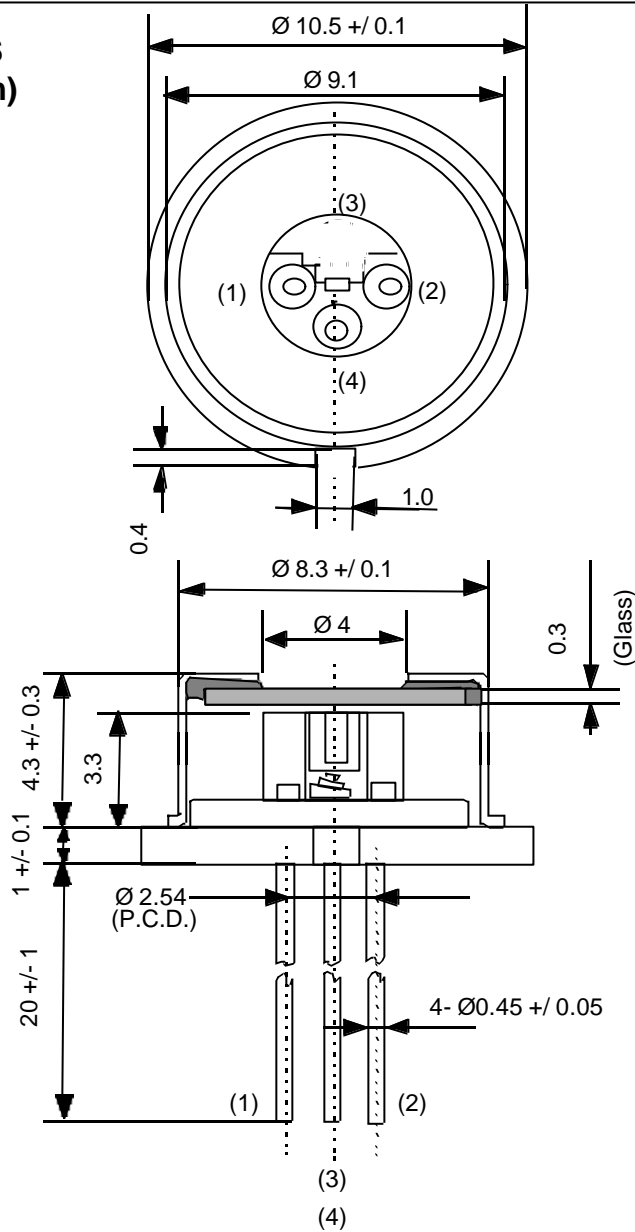
# ML9XX25 SERIES

1480nm High Power Laser Diode

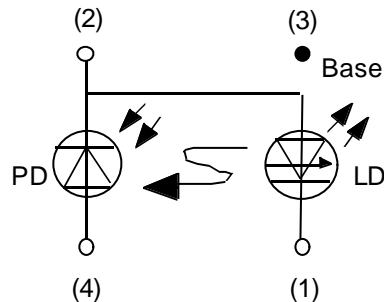
TYPE  
NAME

**ML961B25S**

OUTLINE DRAWINGS  
(Dimension in mm)



LEAD CONNECTION



**PRELIMINARY**

MITSUBISHI LASER DIODES

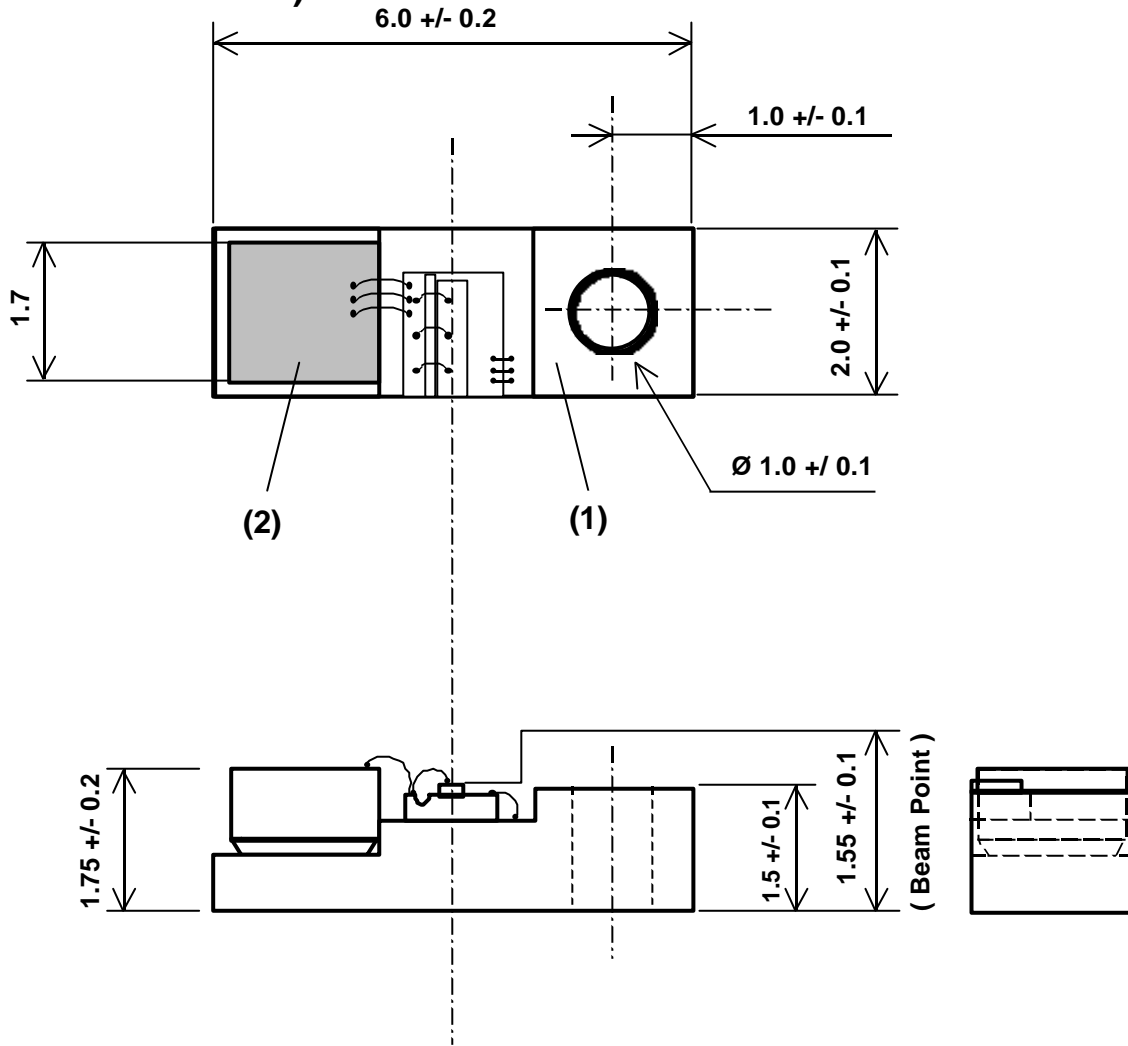
# ML9XX25 SERIES

1480nm High Power Laser Diode

TYPE  
NAME

**ML99225**

## OUTLINE DRAWINGS (Dimension in mm)



## LEAD CONNECTION

