

## TC35854F 155Mbps ATM Segmentation and Reassembly Chip

### Features

- Full OC3/STM-1 line-rate segmentation and reassembly for UTOPIA link
- Up to 4095 VPI/VCI circuits supported and up to 1K MIDs per VPI/VCI circuit
- ABR (ATM Forum UNI 4.0 compliant)
- ITU-I and ATM Forum compliant ATM User Network Interface
- SMDS SIP-2 and SIP-1 (single CPE) according to TR-TSV-000772 and TR-TSV-000773
- AAL3/4 and AAL5 support
- Supports up to 4 CBR VP
- Supports PVC and SVC connections
- Supports F4 and F5 OAM flows
- Traffic shaper supporting peak rate, sustained rate, minimum guaranteed rate, maximum burst size and priority level
- Credit Based flow control (Digital Equipment's FLOWmaster™ and Quantum Flow Control)
- GFC support
- UTOPIA compliant media interface
- 32-bit CRC generation and checking for AAL5 and SMDS packets
- Open MAC-style interface for packet transfer up to 200 Mbps
- Two priority packet queues in MAC-style receive interface
- M68000-style node processor interface
- Supporting 1 Megaword (64-bit word) SRAM buffer

FLOWmaster™ is a trademark of Digital Equipment Corporation.

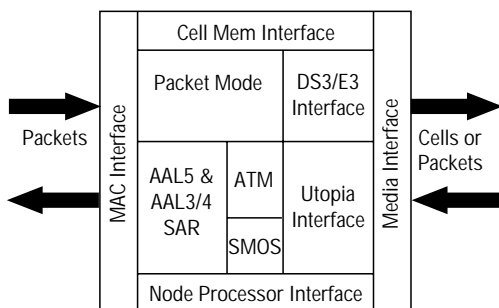


Figure 1. TC35854F Chip Block Diagram

### Technology

- 0.4µm CMOS
- 3.3 volt / 5 volt
- 240 pin HQFP package (175 signal pins)
- Full scan/ATPG for >97% fault coverage

### Description

The TC35854F chip has been designed for use in an ATM User Network Interface (UNI) and SMDS Subscriber Network Interface (SNI), or a general packet relay interface. The chip supports the standard UTOPIA interface, and several vendor-specific interfaces for connecting to SONET/SDH STS-3c/ST1, DS3, E3, DS1, and E1 transmission links.

Transmit packets are sent to the TC35854F chip on a flow-controlled, byte-wide interface. Each packet contains a circuit identifier header. A packet is segmented according to the AAL type specified for that circuit and is placed on a linked-list cell queue in SRAM buffer. Up to 4095 circuits are supported. The cell queues are served by a traffic shaper which allows CBR, VBR, ABR and UBR traffic.

The TC35854F chip implements ABR using the explicit rate flow control (ER) ATM Forum UNI 4.0 compliant. Also, the Quantum Flow Control (QFC), FLOWmaster flow control and Generic Flow Control (GFC) ITU-T SG13 are supported. When used on a FLOWmaster link or QFC link, all ABR circuits are given equal/fair access to available bandwidth with guaranteed loss-less operation.

The TC35854F chip receives cells via the UTOPIA interface. VPI/VCI(MID) fields are then mapped to a local circuit identifier directly. Cells are checked and reassembled on a linked-list cell queue in SRAM buffer. The reassembled packet is moved to one of two packet queues according to the priority set per circuit. All CRCs are also checked. The packets are then passed to the receive MAC interface, where a header is attached to identify the associated circuit.

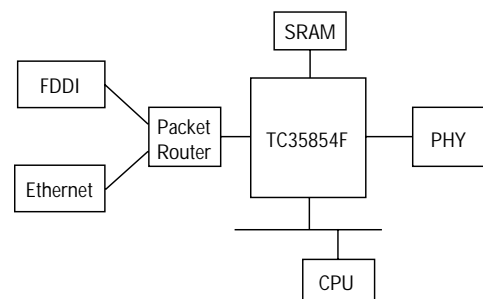


Figure 2. Router Application System Configuration

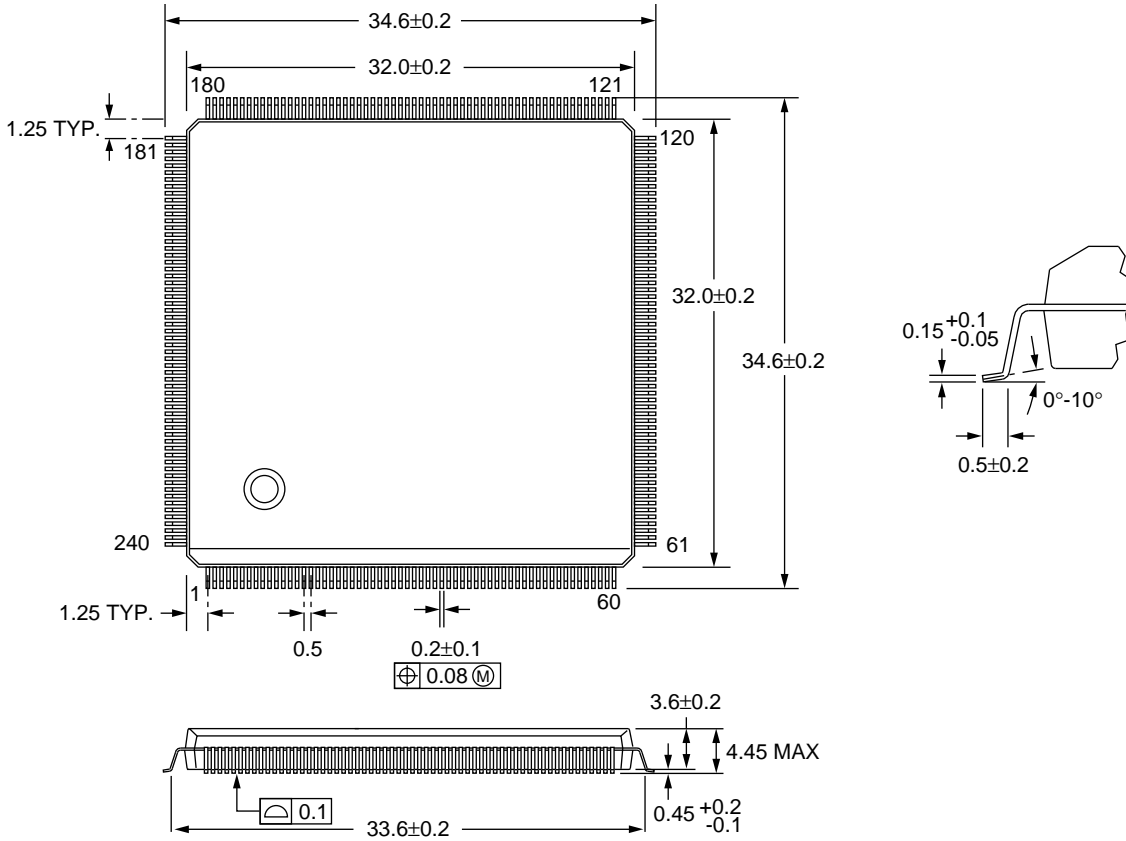


Figure 3. QFP240-P-3232-0.50 (240 pin HQFP Package)  
Unit: mm

[www.toshiba.com/taec](http://www.toshiba.com/taec)

1. This technical data may be controlled under U.S. Export Administration Regulations and may be subject to the approval of the U.S. Department of Commerce prior to export. Any export or re-export, directly or indirectly, in contravention of the U.S. Export Administration Regulations is strictly prohibited.
2. The information in this document has been carefully checked and is believed to be reliable; however, no responsibility can be assumed for inaccuracies that may not have been caught. All information in this document is subject to change without prior notice. Furthermore, Toshiba cannot assume responsibility for the use of any license under the patent rights of Toshiba or any third parties.

TOSHIBA AMERICA ELECTRONIC COMPONENTS, INC.

### Regional Sales Offices

**Irvine, CA**  
TEL: (714) 453-0224  
FAX: (714) 453-0125

**Atlanta, GA**  
TEL: (770) 931-3363  
FAX: (770) 931-7602

**Boston, MA**  
TEL: (617) 224-0074  
FAX: (617) 224-1096

**Portland, OR**  
TEL: (503) 629-0818  
FAX: (503) 629-0827

**San Jose, CA**  
TEL: (408) 456-8900  
FAX: (408) 456-8910

**Chicago, IL**  
TEL: (708) 945-1500  
FAX: (708) 945-1044

**Edison, NJ**  
TEL: (908) 248-8070  
FAX: (908) 248-8030

**Dallas, TX**  
TEL: (972) 480-0470  
FAX: (972) 235-4114