

DESCRIPTION

The RH1011 is a general purpose comparator with significantly better input characteristics than the LM111. Although pin compatible with the LM111, it offers four times lower bias current, six times lower offset voltage and five times higher voltage gain.

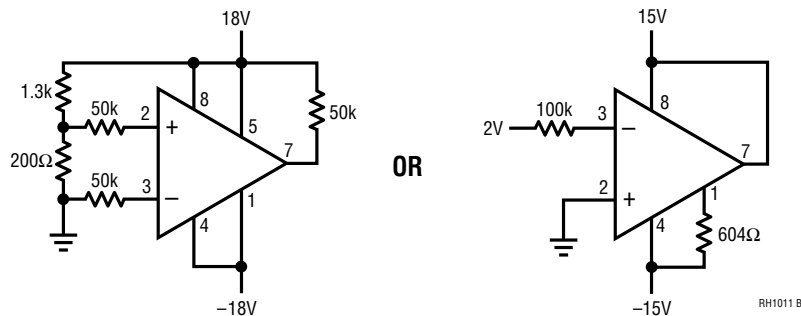
The wafer lots are processed to Linear Technology's in-house Class S flow to yield circuits usable in stringent military applications.

LT, LTC and LT are registered trademarks of Linear Technology Corporation.

ABSOLUTE MAXIMUM RATINGS

Supply Voltage (Pin 8 to Pin 4)	36V
Output to Negative Supply (Pin 7 to Pin 4)	35V
Ground to Negative Supply (Pin 1 to Pin 4)	30V
Differential Input Voltage	±35V
Voltage at STROBE Pin (Pin 6 to Pin 8)	5V
Input Voltage (Note 1)	Equal to Supplies
Output Short-Circuit Duration	10 sec
Operating Temperature Range	
(Note 2)	-55°C to 125°C
Storage Temperature Range	-65°C to 150°C
Lead Temperature (Soldering, 10 sec)	300°C

BURN-IN CIRCUIT



PACKAGE INFORMATION

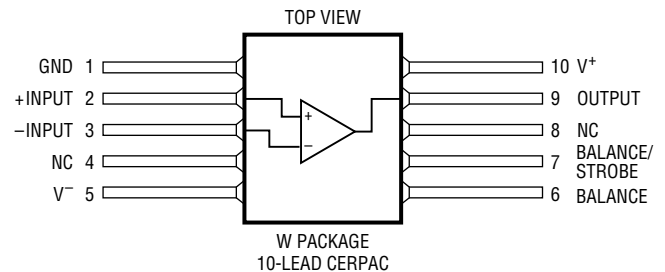
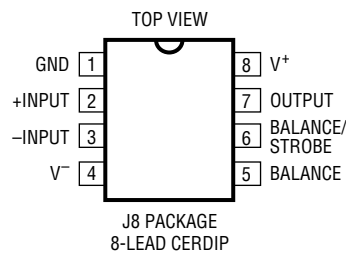
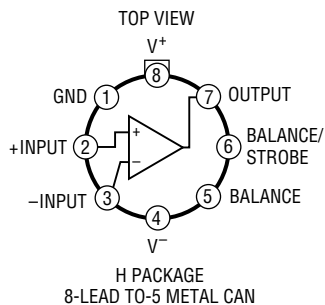


TABLE 1: ELECTRICAL CHARACTERISTICS (Preirradiation) (Note 10)

SYMBOL	PARAMETER	CONDITIONS	NOTES	T _A = 25°C			SUB-GROUP	-55°C T _A 125°C			SUB-GROUP	UNITS	
				MIN	TYP	MAX		MIN	TYP	MAX			
V _{OS}	Input Offset Voltage	R _S 50k	3 4			1.5	1			3.0	2,3	mV	
						2.0			3.0	mV			
I _{OS}	Input Offset Current		4			4	1			6	2,3	nA	
I _B	Input Bias Current		3 4			50	1			80	2,3	nA	
						65			80	nA			
$\frac{V_{OS}}{T}$	Input Offset Voltage Drift	T _{MIN} T T _{MAX}	5,9							25		μV/°C	
A _{VOL}	Large Signal Voltage Gain	R = 1k to 15V, -10V V _{OUT} 14.5V				200						V/mV	
		R = 500 to 5V, 0.5V V _{OUT} 4.5V				50						V/mV	
CMRR	Common Mode Rejection Ratio					90						dB	
	Input Voltage Range	V _S = ±15V V _S = Single 5V	8,9 8,9			-14.5				-14.5			V
						13		13		3.0		V	
t _d	Response Time		6,9			250						ns	
V _{OL}	Output Saturation Voltage	V _{IN} = 5mV, I _{SINK} = 8mA V _I = 0V, I _{SINK} = 50mA				0.4	1			0.5	2,3	V	
						1.5			1.5	V			
	Output Leakage Current	V _{IN} = 5mV, V _I = -15V, V _{OUT} = 20V				10	1			500	2,3	nA	
	Positive Supply Current					4.0	1					mA	
	Negative Supply Current					2.5	1					mA	
	Strobe Current	Minimum to Ensure Output Transistor is Turned Off	7,9			500						μA	
	Input Capacitance					6						pF	

TABLE 1A: ELECTRICAL CHARACTERISTICS (Postirradiation) (Note 10)

SYMBOL	PARAMETER	CONDITIONS	NOTES	10Krad(Si)		20Krad(Si)		50Krad(Si)		100Krad(Si)		200Krad(Si)		UNITS
				MIN	MAX	MIN	MAX	MIN	MAX	MIN	MAX	MIN	MAX	
V _{OS}	Input Offset Voltage				1.5		1.5		1.5		1.5		2	mV
I _{OS}	Input Offset Current				4		4		4		20		50	nA
I _B	Input Bias Current				50		100		150		200		300	nA
A _{VOL}	Large-Signal Voltage Gain	R = 1k to 15V -10V V _{OUT} 14.5V			200		200		150		100		50	V/mV
CMRR	Common Mode Rejection Ratio				90		90		90		90		86	dB
	Input Voltage Range	V _S = ±15V V _S = Single 5V	8,9			-14.5	13				-14.5	13		V
						0.5	3.0		0.5	3.0		0.5	3.0	
V _{OL}	Output Saturation Voltage	V _{IN} = 5mV, I _{SINK} = 8mA V _I = 0V, I _{SINK} = 50mA				0.4			0.4		0.4		0.4	V
						1.5		1.5		1.5		1.5		1.5
	Output Leakage Current	V _{IN} = 5mV, V _I = -15V V _{OUT} = 20V				10		10		100		100	100	nA

TABLE 1A: ELECTRICAL CHARACTERISTICS (Postirradiation) (Note 10)

SYMBOL	PARAMETER	CONDITIONS	NOTES	10Krad(Si)		20Krad(Si)		50Krad(Si)		100Krad(Si)		200Krad(Si)		UNITS
				MIN	MAX	MIN	MAX	MIN	MAX	MIN	MAX	MIN	MAX	
	Positive Supply Current				4.0		4.0		4.0		4.0		4.0	mA
	Negative Supply Current				2.5		2.5		2.5		2.5		2.5	mA
	Strobe Current	Minimum to Ensure Output Transistor is Truned Off	7,9	500		500		500		500		500		μ A
	Input Capacitance			6 (Typ)		6 (Typ)		6 (Typ)		6 (Typ)		6 (Typ)		pF

Note 1: Inputs may be clamped to supplies with diodes so that maximum input voltage actually exceeds supply voltage by one diode drop. See Input Protection discussion in the LT[®]1011 data sheet.

Note 2: $T_{JMAX} = 150^{\circ}\text{C}$.

Note 3: Output is sinking 1.5mA with $V_{OUT} = 0\text{V}$.

Note 4: These specifications apply for all supply voltages from a single 5V to $\pm 15\text{V}$, the entire input voltage range and for both high and low output states. The high state is $I_{SINK} = 100\mu\text{A}$, $V_{OUT} = (V^+ - 1\text{V})$ and the low state is $I_{SINK} = 0.8\text{V}$. Therefore, this specification defines a worst-case error band that includes effects due to common mode signals, voltage gain and output load.

Note 5: Drift is calculated by dividing the offset difference measured at minimum and maximum temperatures by the temperature difference.

Note 6: Response time is measured with a 100mV step and 5V overdrive. The output load is a 500 resistor tied to 5V. Time measurement is taken when the output crosses 1.4V.

Note 7: Do not short the STROBE pin to ground. It should be current driven at 3mA to 5mA for the shortest strobe time. Currents as low as 500 μA will strobe the RH1011 if speed is not important. External leakage on the STROBE pin in excess of 0.2 μA when the strobe is "off" can cause offset voltage shifts.

Note 8: See graph, Input Offset Voltage vs Common Mode Voltage on the LT1011 data sheet.

Note 9: Guaranteed by design, characterization or correlation to other tested parameters.

Note 10: $V_S = \pm 15\text{V}$, $V_{CM} = 0\text{V}$, $R_S = 0$, $T_A = 25^{\circ}\text{C}$, $V_I = -15\text{V}$, output at Pin 7, unless otherwise noted.

TABLE 2: ELECTRICAL TEST REQUIREMENTS

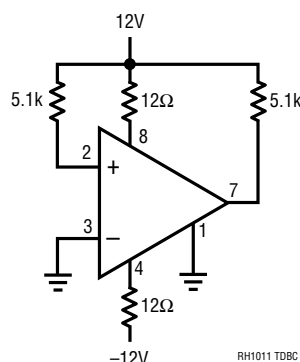
MIL-STD-883 TEST REQUIREMENTS	SUBGROUP
Final Electrical Test Requirements (Method 5004)	1*,2,3,4
Group A Test Requirements (Method 5005)	1,2,3,4
Group C and D End Point Electrical Parameters (Method 5005)	1

* PDA Applies to subgroup 1. See PDA Test Notes.

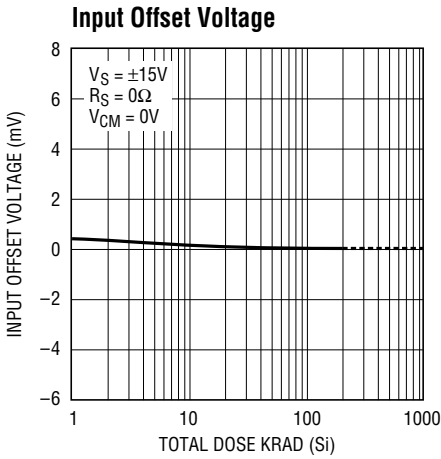
PDA Test Notes

The PDA is specified as 5% based on failures from group A, subgroup 1, tests after cooldown as the final electrical test in accordance with method 5004 of MIL-STD-883 Class B. The verified failures (including Delta parameters) of group A, subgroup 1, after burn-in divided by the total number of devices submitted for burn-in in that lot shall be used to determine the percent for the lot.

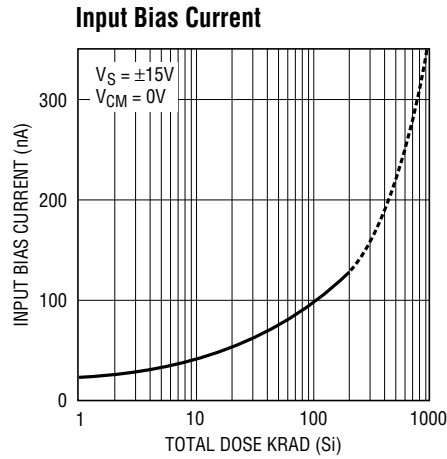
Linear Technology Corporation reserves the right to test to tighter limits than those given.

TOTAL DOSE BIAS CIRCUIT

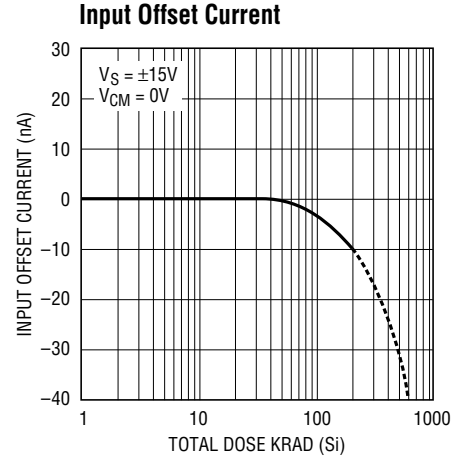
TYPICAL PERFORMANCE CHARACTERISTICS



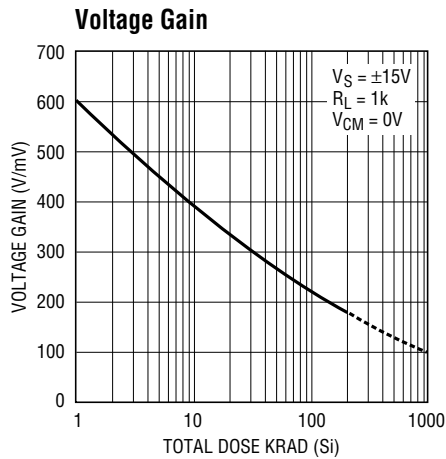
RH1011 G01



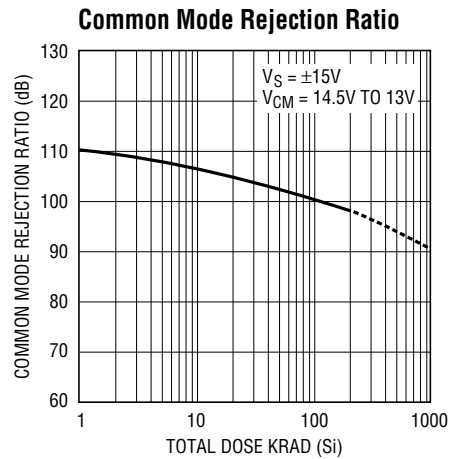
RH1011 G02



RH1011 G03



RH1011 G04



RH1011 G05