

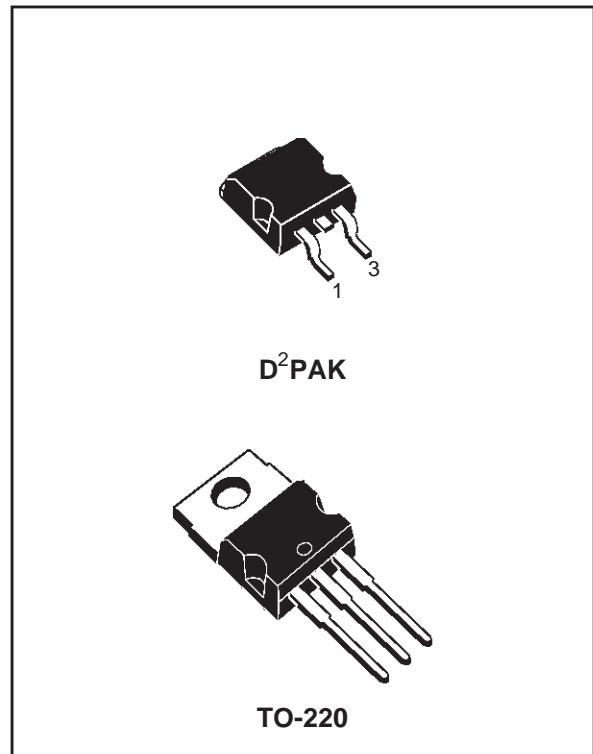


## 2% NEGATIVE VOLTAGE REGULATORS

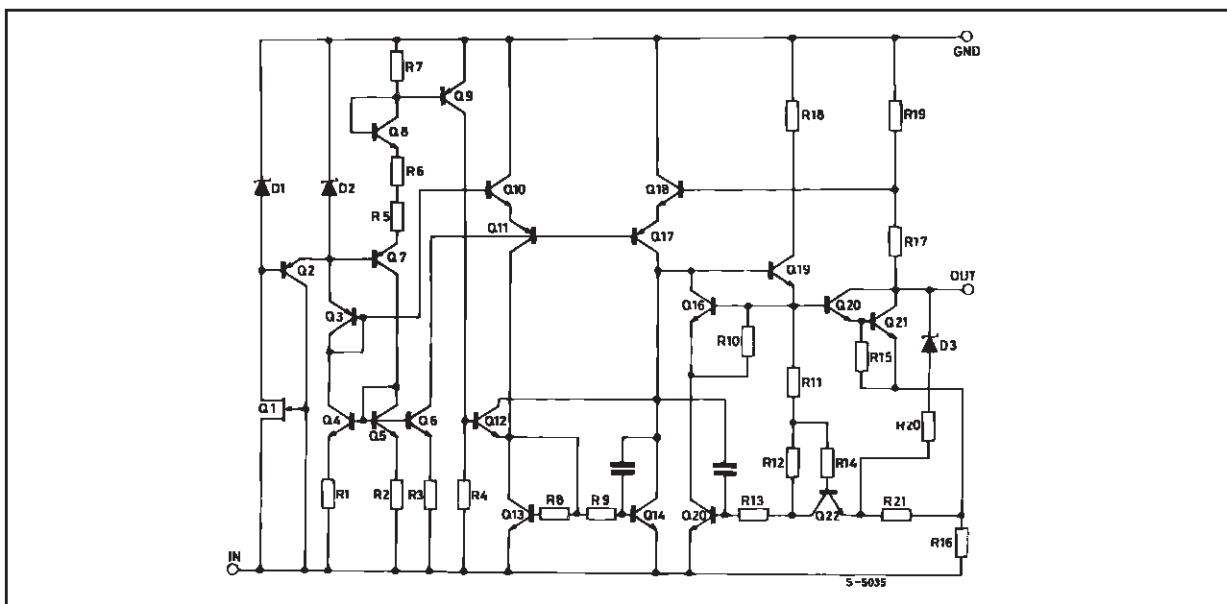
- OUTPUT CURRENT UP TO 1.5 A
- OUTPUT VOLTAGES OF -5; -5.2; -6; -8; -12; -15; -18; -20; -22; -24V
- THERMAL OVERLOAD PROTECTION
- SHORT CIRCUIT PROTECTION
- OUTPUT TRANSITION SOA PROTECTION

### DESCRIPTION

The L7900AC series of three-terminal negative regulators is available in TO-220 and D<sup>2</sup>PAK packages and several fixed output voltages. These regulators can provide local on-card regulation, eliminating the distribution problems associated with single point regulation; furthermore, having the same voltage option as the L7800A positive standard series, they are particularly suited for split power supplies. In addition, the -5.2V is also available for ECL system. If adequate heat sinking is provided, they can deliver over 1.5A output current. Although designed primarily as fixed voltage regulators, these devices can be used with external components to obtain adjustable voltages and currents.



### SCHEMATIC DIAGRAM



# L7900AC

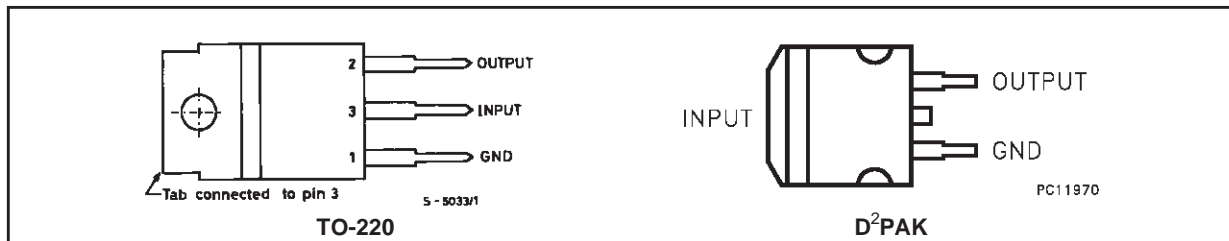
## ABSOLUTE MAXIMUM RATINGS

| Symbol    | Parameter  | Value              | Unit   |
|-----------|--|--------------------|--------|
| $V_i$     | DC Input Voltage (for $V_O = -5$ to $-18V$ )<br>(for $V_O = -20, -24V$ ) | -35<br>-40         | V<br>V |
| $I_o$     | Output Current   | Internally limited |        |
| $P_{tot}$ | Power Dissipation  | Internally limited |        |
| $T_{op}$  | Operating Junction Temperature Range                                     | 0 to 125           | °C     |
| $T_{stg}$ | Storage Temperature Range  | - 65 to 150        | °C     |

## THERMAL DATA

| Symbol         | Parameter                           |     | D <sup>2</sup> PAK | TO-220 | Unit |
|----------------|-------------------------------------|-----|--------------------|--------|------|
| $R_{thj-case}$ | Thermal Resistance Junction-case    | Max | 3                  | 3      | °C/W |
| $R_{thj-amb}$  | Thermal Resistance Junction-ambient | Max | 62.5               | 50     | °C/W |

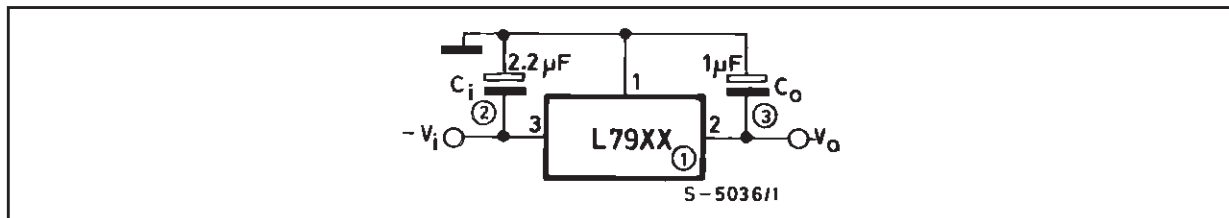
## CONNECTION DIAGRAM AND ORDERING NUMBERS (top view)



| Type    | TO-220   | D <sup>2</sup> PAK (*) | Output Voltage |
|---------|----------|------------------------|----------------|
| L7905AC | L7905ACV | L7905ACD2T             | -5V            |
| L7952AC | L7952ACV | L7952ACD2T             | -5.2V          |
| L7906AC | L7906ACV | L7906ACD2T             | -6V            |
| L7908AC | L7908ACV | L7908ACD2T             | -8V            |
| L7912AC | L7912ACV | L7912ACD2T             | -12V           |
| L7915AC | L7915ACV | L7915ACD2T             | -15V           |
| L7918AC | L7918ACV | L7918ACD2T             | -18V           |
| L7920AC | L7920ACV | L7920ACD2T             | -20V           |
| L7922AC | L7922ACV | L7922ACD2T             | -22V           |
| L7924AC | L7924ACV | L7924ACD2T             | -24V           |

(\*) AVAILABLE IN TAPE AND REEL WITH "-TR" SUFFIX

## APPLICATION CIRCUIT



**ELECTRICAL CHARACTERISTICS FOR L7905A** (refer to the test circuits,  $T_j = 0$  to  $125$  °C,  $V_i = -10V$ ,  $I_o = 500$  mA,  $C_i = 2.2$   $\mu$ F,  $C_o = 1$   $\mu$ F unless otherwise specified)

| Symbol                        | Parameter                  | Test Conditions   | Min. | Typ. | Max.      | Unit     |
|-------------------------------|----------------------------|---|------|------|-----------|----------|
| $V_o$                         | Output Voltage             | $T_j = 25$ °C   | -4.9 | -5   | -5.1      | V        |
| $V_o$                         | Output Voltage             | $I_o = -5$ mA to $-1$ A $P_o \leq 15$ W<br>$V_i = 8$ to $20$ V                | -4.8 | -5   | -5.2      | V        |
| $\Delta V_o^*$                | Line Regulation            | $V_i = -7$ to $-25$ V $T_j = 25$ °C<br>$V_i = -8$ to $-12$ V $T_j = 25$ °C    |      |      | 100<br>50 | mV<br>mV |
| $\Delta V_o^*$                | Load Regulation            | $I_o = 5$ to $1500$ mA $T_j = 25$ °C<br>$I_o = 250$ to $750$ mA $T_j = 25$ °C |      |      | 100<br>50 | mV<br>mV |
| $I_d$                         | Quiescent Current          | $T_j = 25$ °C   |      |      | 3         | mA       |
| $\Delta I_d$                  | Quiescent Current Change   | $I_o = 5$ to $1000$ mA  |      |      | 0.5       | mA       |
| $\Delta I_d$                  | Quiescent Current Change   | $V_i = -8$ to $-25$ V   |      |      | 1.3       | mA       |
| $\frac{\Delta V_o}{\Delta T}$ | Output Voltage Drift       | $I_o = 5$ mA  |      | -0.4 |           | mV/°C    |
| $e_N$                         | Output Noise Voltage       | $B = 10$ Hz to $100$ KHz $T_j = 25$ °C  |      | 100  |           | $\mu$ V  |
| SVR                           | Supply Voltage Rejection   | $\Delta V_i = 10$ V $f = 120$ Hz  | 54   | 60   |           | dB       |
| $V_d$                         | Dropout Voltage            | $I_o = 1$ A $T_j = 25$ °C<br>$\Delta V_o = 100$ mV                            |      | 1.4  |           | V        |
| $I_{sc}$                      | Short Circuit Current      |   |      | 2.1  |           | A        |
| $I_{scp}$                     | Short Circuit Peak Current | $T_j = 25$ °C   |      | 2.5  |           | A        |

**ELECTRICAL CHARACTERISTICS FOR L7952A** (refer to the test circuits,  $T_j = 0$  to  $125$  °C,  $V_i = -10V$ ,  $I_o = 500$  mA,  $C_i = 2.2$   $\mu$ F,  $C_o = 1$   $\mu$ F unless otherwise specified)

| Symbol                        | Parameter                  | Test Conditions   | Min. | Typ. | Max.      | Unit     |
|-------------------------------|----------------------------|---|------|------|-----------|----------|
| $V_o$                         | Output Voltage             | $T_j = 25$ °C   | -5.1 | -5.2 | -5.3      | V        |
| $V_o$                         | Output Voltage             | $I_o = -5$ mA to $-1$ A $P_o \leq 15$ W<br>$V_i = -9$ to $-21$ V              | -5   | -5.2 | -5.4      | V        |
| $\Delta V_o^*$                | Line Regulation            | $V_i = -8$ to $-25$ V $T_j = 25$ °C<br>$V_i = -9$ to $-13$ V $T_j = 25$ °C    |      |      | 105<br>52 | mV<br>mV |
| $\Delta V_o^*$                | Load Regulation            | $I_o = 5$ to $1500$ mA $T_j = 25$ °C<br>$I_o = 250$ to $750$ mA $T_j = 25$ °C |      |      | 105<br>52 | mV<br>mV |
| $I_d$                         | Quiescent Current          | $T_j = 25$ °C   |      |      | 3         | mA       |
| $\Delta I_d$                  | Quiescent Current Change   | $I_o = 5$ to $1000$ mA  |      |      | 0.5       | mA       |
| $\Delta I_d$                  | Quiescent Current Change   | $V_i = -9$ to $-25$ V   |      |      | 1.3       | mA       |
| $\frac{\Delta V_o}{\Delta T}$ | Output Voltage Drift       | $I_o = 5$ mA  |      | -0.5 |           | mV/°C    |
| $e_N$                         | Output Noise Voltage       | $B = 10$ Hz to $100$ KHz $T_j = 25$ °C  |      | 125  |           | $\mu$ V  |
| SVR                           | Supply Voltage Rejection   | $\Delta V_i = 10$ V $f = 120$ Hz  | 54   | 60   |           | dB       |
| $V_d$                         | Dropout Voltage            | $I_o = 1$ A $T_j = 25$ °C<br>$\Delta V_o = 100$ mV                            |      | 1.4  |           | V        |
| $I_{sc}$                      | Short Circuit Current      |   |      | 2.1  |           | A        |
| $I_{scp}$                     | Short Circuit Peak Current | $T_j = 25$ °C   |      | 2.5  |           | A        |

\* Load and line regulation are specified at constant junction temperature. Changes in  $V_o$  due to heating effects must be taken into account separately. Pulse testing with low duty cycle is used.

## L7900AC

**ELECTRICAL CHARACTERISTICS FOR L7906A** (refer to the test circuits,  $T_j = 0$  to  $125$  °C,  $V_i = -11V$ ,  $I_o = 500$  mA,  $C_i = 2.2$   $\mu$ F,  $C_o = 1$   $\mu$ F unless otherwise specified)

| Symbol                        | Parameter                  | Test Conditions   | Min.  | Typ. | Max.      | Unit     |
|-------------------------------|----------------------------|---|-------|------|-----------|----------|
| $V_o$                         | Output Voltage             | $T_j = 25$ °C   | -5.88 | -6   | -6.12     | V        |
| $V_o$                         | Output Voltage             | $I_o = -5$ mA to $-1$ A $P_o \leq 15$ W<br>$V_i = -9.5$ to $-21.5$ V          | -5.76 | -6   | -6.24     | V        |
| $\Delta V_o^*$                | Line Regulation            | $V_i = -8.5$ to $-25$ V $T_j = 25$ °C<br>$V_i = -9$ to $-15$ V $T_j = 25$ °C  |       |      | 120<br>60 | mV<br>mV |
| $\Delta V_o^*$                | Load Regulation            | $I_o = 5$ to $1500$ mA $T_j = 25$ °C<br>$I_o = 250$ to $750$ mA $T_j = 25$ °C |       |      | 120<br>60 | mV<br>mV |
| $I_d$                         | Quiescent Current          | $T_j = 25$ °C   |       |      | 3         | mA       |
| $\Delta I_d$                  | Quiescent Current Change   | $I_o = 5$ to $1000$ mA  |       |      | 0.5       | mA       |
| $\Delta I_d$                  | Quiescent Current Change   | $V_i = -9.5$ to $-25$ V   |       |      | 1.3       | mA       |
| $\frac{\Delta V_o}{\Delta T}$ | Output Voltage Drift       | $I_o = 5$ mA  |       | -0.6 |           | mV/°C    |
| $e_N$                         | Output Noise Voltage       | B = 10Hz to 100KHz $T_j = 25$ °C  |       | 144  |           | $\mu$ V  |
| SVR                           | Supply Voltage Rejection   | $\Delta V_i = 10$ V $f = 120$ Hz  | 54    | 60   |           | dB       |
| $V_d$                         | Dropout Voltage            | $I_o = 1$ A $T_j = 25$ °C<br>$\Delta V_o = 100$ mV                            |       | 1.4  |           | V        |
| $I_{sc}$                      | Short Circuit Current      |   |       | 2    |           | A        |
| $I_{scp}$                     | Short Circuit Peak Current | $T_j = 25$ °C   |       | 2.5  |           | A        |

**ELECTRICAL CHARACTERISTICS FOR L7908A** (refer to the test circuits,  $T_j = 0$  to  $125$  °C,  $V_i = -14V$ ,  $I_o = 500$  mA,  $C_i = 2.2$   $\mu$ F,  $C_o = 1$   $\mu$ F unless otherwise specified)

| Symbol                        | Parameter                  | Test Conditions  | Min.  | Typ. | Max.      | Unit     |
|-------------------------------|----------------------------|--|-------|------|-----------|----------|
| $V_o$                         | Output Voltage             | $T_j = 25$ °C  | -7.84 | -8   | -8.16     | V        |
| $V_o$                         | Output Voltage             | $I_o = -5$ mA to $-1$ A $P_o \leq 15$ W<br>$V_i = -11.5$ to $-23$ V            | -7.68 | -8   | -8.32     | V        |
| $\Delta V_o^*$                | Line Regulation            | $V_i = -10.5$ to $-25$ V $T_j = 25$ °C<br>$V_i = -11$ to $-17$ V $T_j = 25$ °C |       |      | 160<br>80 | mV<br>mV |
| $\Delta V_o^*$                | Load Regulation            | $I_o = 5$ to $1500$ mA $T_j = 25$ °C<br>$I_o = 250$ to $750$ mA $T_j = 25$ °C  |       |      | 160<br>80 | mV<br>mV |
| $I_d$                         | Quiescent Current          | $T_j = 25$ °C  |       |      | 3         | mA       |
| $\Delta I_d$                  | Quiescent Current Change   | $I_o = 5$ to $1000$ mA   |       |      | 0.5       | mA       |
| $\Delta I_d$                  | Quiescent Current Change   | $V_i = -11.5$ to $-25$ V   |       |      | 1         | mA       |
| $\frac{\Delta V_o}{\Delta T}$ | Output Voltage Drift       | $I_o = 5$ mA   |       | -0.6 |           | mV/°C    |
| $e_N$                         | Output Noise Voltage       | B = 10Hz to 100KHz $T_j = 25$ °C   |       | 175  |           | $\mu$ V  |
| SVR                           | Supply Voltage Rejection   | $\Delta V_i = 10$ V $f = 120$ Hz   | 54    | 60   |           | dB       |
| $V_d$                         | Dropout Voltage            | $I_o = 1$ A $T_j = 25$ °C<br>$\Delta V_o = 100$ mV                             |       | 1.1  |           | V        |
| $I_{sc}$                      | Short Circuit Current      |  |       | 1.5  |           | A        |
| $I_{scp}$                     | Short Circuit Peak Current | $T_j = 25$ °C  |       | 2.5  |           | A        |

\* Load and line regulation are specified at constant junction temperature. Changes in  $V_o$  due to heating effects must be taken into account separately. Pulse testing with low duty cycle is used.

**ELECTRICAL CHARACTERISTICS FOR L7912A** (refer to the test circuits,  $T_j = 0$  to  $125$  °C,  $V_i = -19V$ ,  $I_o = 500$  mA,  $C_i = 2.2$   $\mu$ F,  $C_o = 1$   $\mu$ F unless otherwise specified)

| Symbol                        | Parameter                  | Test Conditions  | Min.   | Typ. | Max.       | Unit     |
|-------------------------------|----------------------------|--|--------|------|------------|----------|
| $V_o$                         | Output Voltage             | $T_j = 25$ °C  | -11.75 | -12  | -12.25     | V        |
| $V_o$                         | Output Voltage             | $I_o = -5$ mA to $-1$ A $P_o \leq 15$ W<br>$V_i = -15.5$ to $-27$ V            | -11.5  | -12  | -12.5      | V        |
| $\Delta V_o^*$                | Line Regulation            | $V_i = -14.5$ to $-30$ V $T_j = 25$ °C<br>$V_i = -16$ to $-22$ V $T_j = 25$ °C |        |      | 240<br>120 | mV<br>mV |
| $\Delta V_o^*$                | Load Regulation            | $I_o = 5$ to $1500$ mA $T_j = 25$ °C<br>$I_o = 250$ to $750$ mA $T_j = 25$ °C  |        |      | 240<br>120 | mV<br>mV |
| $I_d$                         | Quiescent Current          | $T_j = 25$ °C  |        |      | 3          | mA       |
| $\Delta I_d$                  | Quiescent Current Change   | $I_o = 5$ to $1000$ mA   |        |      | 0.5        | mA       |
| $\Delta I_d$                  | Quiescent Current Change   | $V_i = -15$ to $-25$ V   |        |      | 1          | mA       |
| $\frac{\Delta V_o}{\Delta T}$ | Output Voltage Drift       | $I_o = 5$ mA   |        | -0.8 |            | mV/°C    |
| $e_N$                         | Output Noise Voltage       | B = 10Hz to 100KHz $T_j = 25$ °C   |        | 200  |            | $\mu$ V  |
| SVR                           | Supply Voltage Rejection   | $\Delta V_i = 10$ V $f = 120$ Hz   | 54     | 60   |            | dB       |
| $V_d$                         | Dropout Voltage            | $I_o = 1$ A $T_j = 25$ °C<br>$\Delta V_o = 100$ mV                             |        | 1.1  |            | V        |
| $I_{sc}$                      | Short Circuit Current      |  |        | 1.5  |            | A        |
| $I_{scp}$                     | Short Circuit Peak Current | $T_j = 25$ °C  |        | 2.5  |            | A        |

**ELECTRICAL CHARACTERISTICS FOR L7915A** (refer to the test circuits,  $T_j = 0$  to  $125$  °C,  $V_i = -23V$ ,  $I_o = 500$  mA,  $C_i = 2.2$   $\mu$ F,  $C_o = 1$   $\mu$ F unless otherwise specified)

| Symbol                        | Parameter                  | Test Conditions  | Min.  | Typ. | Max.       | Unit     |
|-------------------------------|----------------------------|--|-------|------|------------|----------|
| $V_o$                         | Output Voltage             | $T_j = 25$ °C  | -14.7 | -15  | -15.3      | V        |
| $V_o$                         | Output Voltage             | $I_o = -5$ mA to $-1$ A $P_o \leq 15$ W<br>$V_i = -18.5$ to $-30$ V            | -14.4 | -15  | -15.6      | V        |
| $\Delta V_o^*$                | Line Regulation            | $V_i = -17.5$ to $-30$ V $T_j = 25$ °C<br>$V_i = -20$ to $-26$ V $T_j = 25$ °C |       |      | 300<br>150 | mV<br>mV |
| $\Delta V_o^*$                | Load Regulation            | $I_o = 5$ to $1500$ mA $T_j = 25$ °C<br>$I_o = 250$ to $750$ mA $T_j = 25$ °C  |       |      | 300<br>150 | mV<br>mV |
| $I_d$                         | Quiescent Current          | $T_j = 25$ °C  |       |      | 3          | mA       |
| $\Delta I_d$                  | Quiescent Current Change   | $I_o = 5$ to $1000$ mA   |       |      | 0.5        | mA       |
| $\Delta I_d$                  | Quiescent Current Change   | $V_i = -18.5$ to $-30$ V   |       |      | 1          | mA       |
| $\frac{\Delta V_o}{\Delta T}$ | Output Voltage Drift       | $I_o = 5$ mA   |       | -0.9 |            | mV/°C    |
| $e_N$                         | Output Noise Voltage       | B = 10Hz to 100KHz $T_j = 25$ °C   |       | 250  |            | $\mu$ V  |
| SVR                           | Supply Voltage Rejection   | $\Delta V_i = 10$ V $f = 120$ Hz   | 54    | 60   |            | dB       |
| $V_d$                         | Dropout Voltage            | $I_o = 1$ A $T_j = 25$ °C<br>$\Delta V_o = 100$ mV                             |       | 1.1  |            | V        |
| $I_{sc}$                      | Short Circuit Current      |  |       | 1.3  |            | A        |
| $I_{scp}$                     | Short Circuit Peak Current | $T_j = 25$ °C  |       | 2.3  |            | A        |

\* Load and line regulation are specified at constant junction temperature. Changes in  $V_o$  due to heating effects must be taken into account separately. Pulse testing with low duty cycle is used.

## L7900AC

**ELECTRICAL CHARACTERISTICS FOR L7918A** (refer to the test circuits,  $T_j = 0$  to  $125$  °C,  $V_i = -27V$ ,  $I_o = 500$  mA,  $C_i = 2.2$   $\mu$ F,  $C_o = 1$   $\mu$ F unless otherwise specified)

| Symbol                        | Parameter                  | Test Conditions   | Min.   | Typ. | Max.       | Unit     |
|-------------------------------|----------------------------|---|--------|------|------------|----------|
| $V_o$                         | Output Voltage             | $T_j = 25$ °C   | -17.64 | -18  | -18.36     | V        |
| $V_o$                         | Output Voltage             | $I_o = -5$ mA to $-1$ A $P_o \leq 15$ W<br>$V_i = -22$ to $-33$ V             | -17.3  | -18  | -18.7      | V        |
| $\Delta V_o^*$                | Line Regulation            | $V_i = -21$ to $-33$ V $T_j = 25$ °C<br>$V_i = -24$ to $-30$ V $T_j = 25$ °C  |        |      | 360<br>180 | mV<br>mV |
| $\Delta V_o^*$                | Load Regulation            | $I_o = 5$ to $1500$ mA $T_j = 25$ °C<br>$I_o = 250$ to $750$ mA $T_j = 25$ °C |        |      | 360<br>180 | mV<br>mV |
| $I_d$                         | Quiescent Current          | $T_j = 25$ °C   |        |      | 3          | mA       |
| $\Delta I_d$                  | Quiescent Current Change   | $I_o = 5$ to $1000$ mA  |        |      | 0.5        | mA       |
| $\Delta I_d$                  | Quiescent Current Change   | $V_i = -22$ to $-33$ V  |        |      | 1          | mA       |
| $\frac{\Delta V_o}{\Delta T}$ | Output Voltage Drift       | $I_o = 5$ mA  |        | -1   |            | mV/°C    |
| $e_N$                         | Output Noise Voltage       | B = 10Hz to 100KHz $T_j = 25$ °C  |        | 300  |            | $\mu$ V  |
| SVR                           | Supply Voltage Rejection   | $\Delta V_i = 10$ V $f = 120$ Hz  | 54     | 60   |            | dB       |
| $V_d$                         | Dropout Voltage            | $I_o = 1$ A $T_j = 25$ °C<br>$\Delta V_o = 100$ mV                            |        | 1.1  |            | V        |
| $I_{sc}$                      | Short Circuit Current      |   |        | 1.1  |            | A        |
| $I_{scp}$                     | Short Circuit Peak Current | $T_j = 25$ °C   |        | 2.2  |            | A        |

**ELECTRICAL CHARACTERISTICS FOR L7920A** (refer to the test circuits,  $T_j = 0$  to  $125$  °C,  $V_i = -29V$ ,  $I_o = 500$  mA,  $C_i = 2.2$   $\mu$ F,  $C_o = 1$   $\mu$ F unless otherwise specified)

| Symbol                        | Parameter                  | Test Conditions   | Min.  | Typ. | Max.       | Unit     |
|-------------------------------|----------------------------|---|-------|------|------------|----------|
| $V_o$                         | Output Voltage             | $T_j = 25$ °C   | -19.6 | -20  | -20.4      | V        |
| $V_o$                         | Output Voltage             | $I_o = -5$ mA to $-1$ A $P_o \leq 15$ W<br>$V_i = -24$ to $-35$ V             | -19.2 | -20  | -20.8      | V        |
| $\Delta V_o^*$                | Line Regulation            | $V_i = -23$ to $-35$ V $T_j = 25$ °C<br>$V_i = -26$ to $-32$ V $T_j = 25$ °C  |       |      | 400<br>200 | mV<br>mV |
| $\Delta V_o^*$                | Load Regulation            | $I_o = 5$ to $1500$ mA $T_j = 25$ °C<br>$I_o = 250$ to $750$ mA $T_j = 25$ °C |       |      | 400<br>200 | mV<br>mV |
| $I_d$                         | Quiescent Current          | $T_j = 25$ °C   |       |      | 3          | mA       |
| $\Delta I_d$                  | Quiescent Current Change   | $I_o = 5$ to $1000$ mA  |       |      | 0.5        | mA       |
| $\Delta I_d$                  | Quiescent Current Change   | $V_i = -24$ to $-35$ V  |       |      | 1          | mA       |
| $\frac{\Delta V_o}{\Delta T}$ | Output Voltage Drift       | $I_o = 5$ mA  |       | -1.1 |            | mV/°C    |
| $e_N$                         | Output Noise Voltage       | B = 10Hz to 100KHz $T_j = 25$ °C  |       | 350  |            | $\mu$ V  |
| SVR                           | Supply Voltage Rejection   | $\Delta V_i = 10$ V $f = 120$ Hz  | 54    | 60   |            | dB       |
| $V_d$                         | Dropout Voltage            | $I_o = 1$ A $T_j = 25$ °C<br>$\Delta V_o = 100$ mV                            |       | 1.1  |            | V        |
| $I_{sc}$                      | Short Circuit Current      |   |       | 0.9  |            | A        |
| $I_{scp}$                     | Short Circuit Peak Current | $T_j = 25$ °C   |       | 2.2  |            | A        |

\* Load and line regulation are specified at constant junction temperature. Changes in  $V_o$  due to heating effects must be taken into account separately. Pulse testing with low duty cycle is used.

**ELECTRICAL CHARACTERISTICS FOR L7922A** (refer to the test circuits,  $T_j = 0$  to  $125$  °C,  $V_i = -31$ V,  $I_o = 500$  mA,  $C_i = 2.2$   $\mu$ F,  $C_o = 1$   $\mu$ F unless otherwise specified)

| Symbol                        | Parameter                  | Test Conditions   | Min.  | Typ. | Max.       | Unit     |
|-------------------------------|----------------------------|---|-------|------|------------|----------|
| $V_o$                         | Output Voltage             | $T_j = 25$ °C   | -21.5 | -22  | -22.4      | V        |
| $V_o$                         | Output Voltage             | $I_o = -5$ mA to $-1$ A $P_o \leq 15$ W<br>$V_i = -26$ to $-37$ V             | -21.1 | -22  | -22.8      | V        |
| $\Delta V_o^*$                | Line Regulation            | $V_i = -25$ to $-37$ V $T_j = 25$ °C<br>$V_i = -28$ to $-34$ V $T_j = 25$ °C  |       |      | 440<br>220 | mV<br>mV |
| $\Delta V_o^*$                | Load Regulation            | $I_o = 5$ to $1500$ mA $T_j = 25$ °C<br>$I_o = 250$ to $750$ mA $T_j = 25$ °C |       |      | 440<br>220 | mV<br>mV |
| $I_d$                         | Quiescent Current          | $T_j = 25$ °C   |       |      | 3          | mA       |
| $\Delta I_d$                  | Quiescent Current Change   | $I_o = 5$ to $1000$ mA  |       |      | 0.5        | mA       |
| $\Delta I_d$                  | Quiescent Current Change   | $V_i = -26$ to $-37$ V  |       |      | 1          | mA       |
| $\frac{\Delta V_o}{\Delta T}$ | Output Voltage Drift       | $I_o = 5$ mA  |       | -1.1 |            | mV/°C    |
| $e_N$                         | Output Noise Voltage       | B = 10Hz to 100KHz $T_j = 25$ °C  |       | 375  |            | $\mu$ V  |
| SVR                           | Supply Voltage Rejection   | $\Delta V_i = 10$ V $f = 120$ Hz  | 54    | 60   |            | dB       |
| $V_d$                         | Dropout Voltage            | $I_o = 1$ A $T_j = 25$ °C<br>$\Delta V_o = 100$ mV                            |       | 1.1  |            | V        |
| $I_{sc}$                      | Short Circuit Current      |   |       | 1.1  |            | A        |
| $I_{scp}$                     | Short Circuit Peak Current | $T_j = 25$ °C   |       | 2.2  |            | A        |

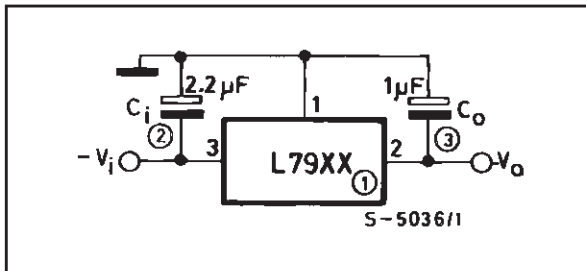
**ELECTRICAL CHARACTERISTICS FOR L7924A** (refer to the test circuits,  $T_j = 0$  to  $125$  °C,  $V_i = -33$ V,  $I_o = 500$  mA,  $C_i = 2.2$   $\mu$ F,  $C_o = 1$   $\mu$ F unless otherwise specified)

| Symbol                        | Parameter                  | Test Conditions   | Min.  | Typ. | Max.       | Unit     |
|-------------------------------|----------------------------|---|-------|------|------------|----------|
| $V_o$                         | Output Voltage             | $T_j = 25$ °C   | -23.5 | -24  | -24.5      | V        |
| $V_o$                         | Output Voltage             | $I_o = -5$ mA to $-1$ A $P_o \leq 15$ W<br>$V_i = -27$ to $-38$ V             | -23   | -24  | -25        | V        |
| $\Delta V_o^*$                | Line Regulation            | $V_i = -27$ to $-38$ V $T_j = 25$ °C<br>$V_i = -30$ to $-36$ V $T_j = 25$ °C  |       |      | 480<br>240 | mV<br>mV |
| $\Delta V_o^*$                | Load Regulation            | $I_o = 5$ to $1500$ mA $T_j = 25$ °C<br>$I_o = 250$ to $750$ mA $T_j = 25$ °C |       |      | 480<br>240 | mV<br>mV |
| $I_d$                         | Quiescent Current          | $T_j = 25$ °C   |       |      | 3          | mA       |
| $\Delta I_d$                  | Quiescent Current Change   | $I_o = 5$ to $1000$ mA  |       |      | 0.5        | mA       |
| $\Delta I_d$                  | Quiescent Current Change   | $V_i = -27$ to $-38$ V  |       |      | 1          | mA       |
| $\frac{\Delta V_o}{\Delta T}$ | Output Voltage Drift       | $I_o = 5$ mA  |       | -1   |            | mV/°C    |
| $e_N$                         | Output Noise Voltage       | B = 10Hz to 100KHz $T_j = 25$ °C  |       | 400  |            | $\mu$ V  |
| SVR                           | Supply Voltage Rejection   | $\Delta V_i = 10$ V $f = 120$ Hz  | 54    | 60   |            | dB       |
| $V_d$                         | Dropout Voltage            | $I_o = 1$ A $T_j = 25$ °C<br>$\Delta V_o = 100$ mV                            |       | 1.1  |            | V        |
| $I_{sc}$                      | Short Circuit Current      |   |       | 1.1  |            | A        |
| $I_{scp}$                     | Short Circuit Peak Current | $T_j = 25$ °C   |       | 2.2  |            | A        |

\* Load and line regulation are specified at constant junction temperature. Changes in  $V_o$  due to heating effects must be taken into account separately. Pulse testing with low duty cycle is used.

APPLICATION INFORMATION

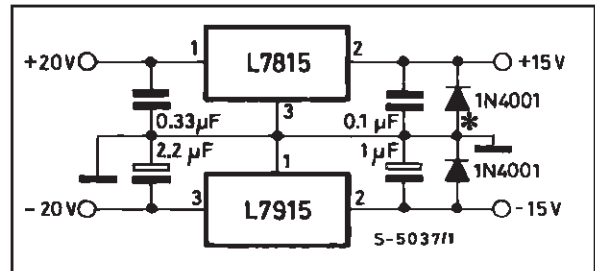
Figure 1 : Fixed Output Regulator.



Notes :

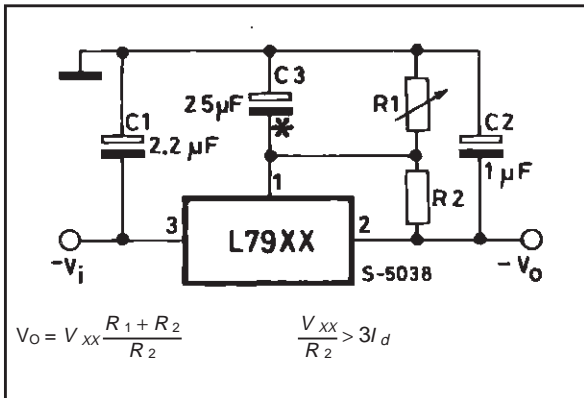
1. To specify an output voltage, substitute voltage value for "XX".
2. Required for stability. For value given, capacitor must be solid tantalum. If aluminium electrolytics are used, at least ten times value should be selected. C<sub>1</sub> is required if regulator is located an appreciable distance from power supply filter.
3. To improve transient response. If large capacitors are used, a high current diode from input to output (1N4001 or similar) should be introduced to protect the device from momentary input short circuit.

Figure 2 : Split Power Supply (± 15V/1A).



Against potential latch-up problems.

Figure 3 : Circuit for Increasing Output Voltage.



C3 Optional for improved transient response and ripple rejection.

Figure 4 : High Current Negative Regulator (- 5V/4A with 5A current limiting).

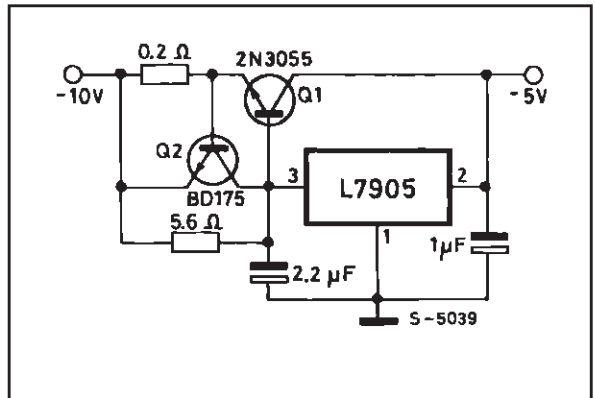
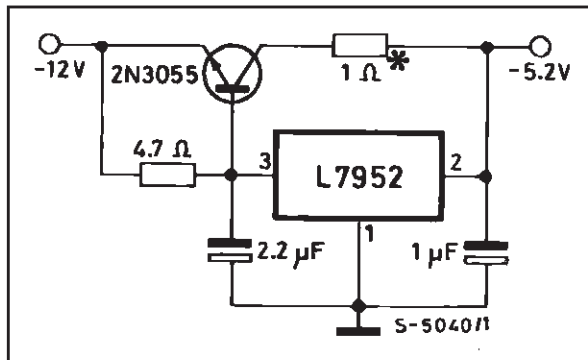


Figure 5 : Typical ECL System Power Supply (- 5.2V/4A).

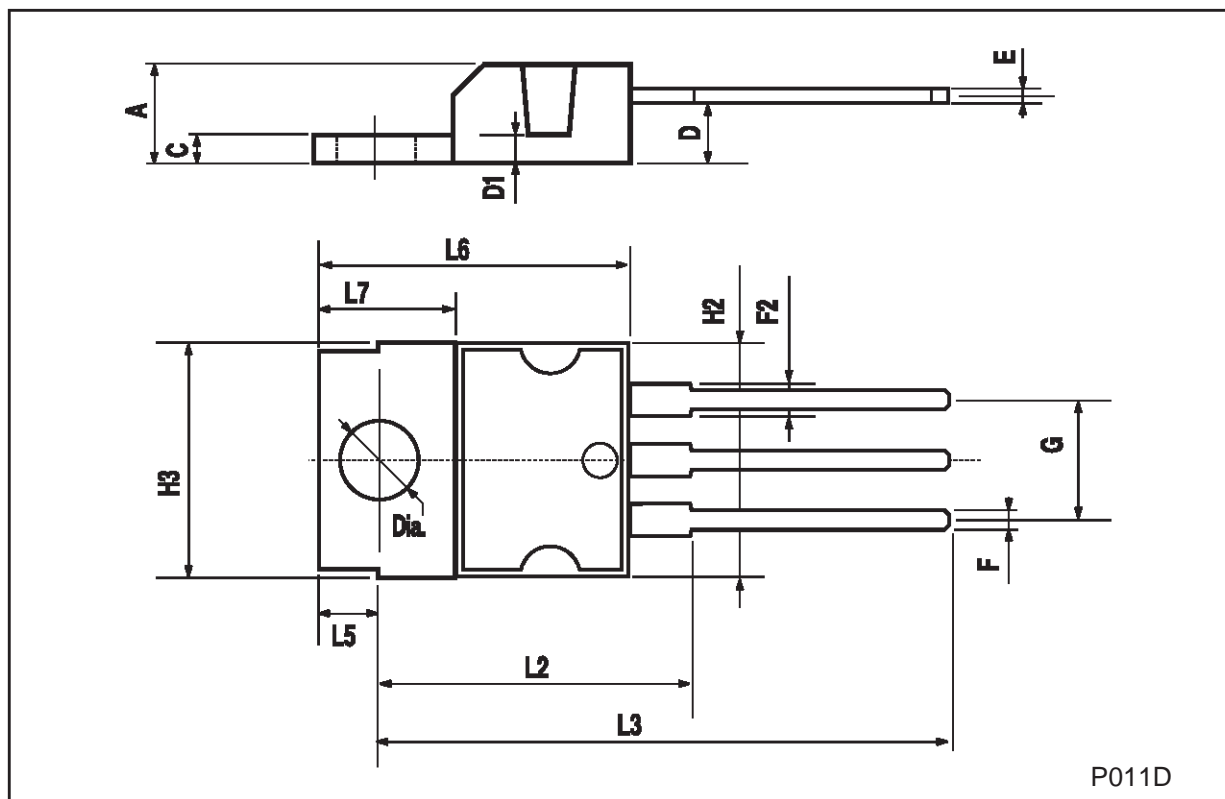


Optional dropping resistor to reduce the power dissipated in the boost transistor.



## TO-220 MECHANICAL DATA

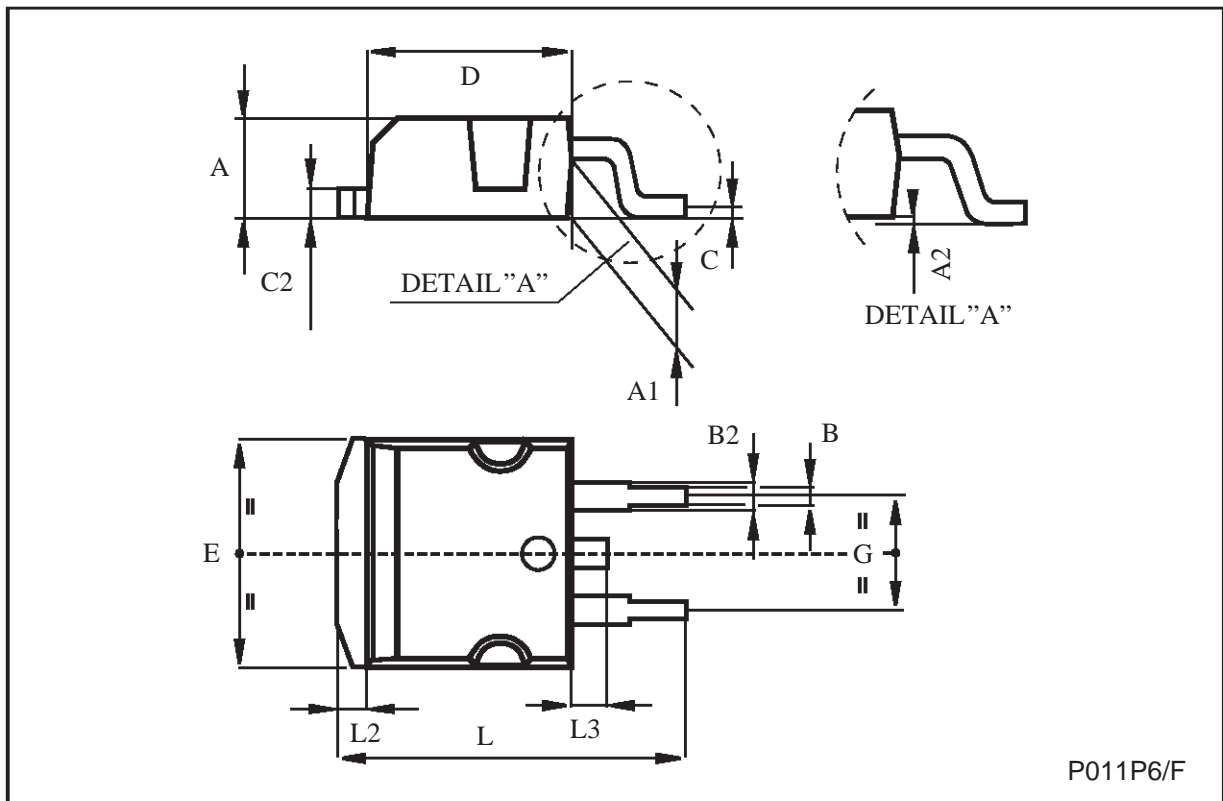
| DIM. | mm    |      |      | inch  |       |       |
|------|-------|------|------|-------|-------|-------|
|      | MIN.  | TYP. | MAX. | MIN.  | TYP.  | MAX.  |
| A    |       |      | 4.8  |       |       | 0.189 |
| C    |       |      | 1.37 |       |       | 0.054 |
| D    | 2.4   |      | 2.8  | 0.094 |       | 0.110 |
| D1   | 1.2   |      | 1.35 | 0.047 |       | 0.053 |
| E    | 0.35  |      | 0.55 | 0.014 |       | 0.022 |
| F    | 0.61  |      | 0.94 | 0.024 |       | 0.037 |
| F2   | 1.15  |      | 1.4  | 0.045 |       | 0.055 |
| G    | 4.95  | 5.08 | 5.21 | 0.195 | 0.200 | 0.205 |
| H2   |       |      | 10.4 |       |       | 0.409 |
| H3   | 10.05 |      | 10.4 | 0.396 |       | 0.409 |
| L2   |       | 16.2 |      |       | 0.638 |       |
| L3   | 26.3  | 26.7 | 27.1 | 1.035 | 1.051 | 1.067 |
| L5   | 2.6   |      | 3    | 0.102 |       | 0.118 |
| L6   | 15.1  |      | 15.8 | 0.594 |       | 0.622 |
| L7   | 6     |      | 6.6  | 0.236 |       | 0.260 |
| Dia. | 3.65  |      | 3.85 | 0.144 |       | 0.152 |



P011D

TO-263 (D<sup>2</sup>PAK) MECHANICAL DATA

| DIM. | mm   |      |       | inch  |      |       |
|------|------|------|-------|-------|------|-------|
|      | MIN. | TYP. | MAX.  | MIN.  | TYP. | MAX.  |
| A    | 4.4  |      | 4.6   | 0.173 |      | 0.181 |
| A1   | 2.49 |      | 2.69  | 0.098 |      | 0.106 |
| B    | 0.7  |      | 0.93  | 0.027 |      | 0.036 |
| B2   | 1.14 |      | 1.7   | 0.044 |      | 0.067 |
| C    | 0.45 |      | 0.6   | 0.017 |      | 0.023 |
| C2   | 1.23 |      | 1.36  | 0.048 |      | 0.053 |
| D    | 8.95 |      | 9.35  | 0.352 |      | 0.368 |
| E    | 10   |      | 10.4  | 0.393 |      | 0.409 |
| G    | 4.88 |      | 5.28  | 0.192 |      | 0.208 |
| L    | 15   |      | 15.85 | 0.590 |      | 0.624 |
| L2   | 1.27 |      | 1.4   | 0.050 |      | 0.055 |
| L3   | 1.4  |      | 1.75  | 0.055 |      | 0.068 |



Information furnished is believed to be accurate and reliable. However, STMicroelectronics assumes no responsibility for the consequences of use of such information nor for any infringement of patents or other rights of third parties which may result from its use. No license is granted by implication or otherwise under any patent or patent rights of STMicroelectronics. Specification mentioned in this publication are subject to change without notice. This publication supersedes and replaces all information previously supplied. STMicroelectronics products are not authorized for use as critical components in life support devices or systems without express written approval of STMicroelectronics.

The ST logo is a registered trademark of STMicroelectronics

© 1999 STMicroelectronics – Printed in Italy – All Rights Reserved

STMicroelectronics GROUP OF COMPANIES

Australia - Brazil - China - Finland - France - Germany - Hong Kong - India - Italy - Japan - Malaysia - Malta - Morocco  
Singapore - Spain - Sweden - Switzerland - United Kingdom - U.S.A.

<http://www.st.com>