

Examples for applications

MMI 4832

Integrated circuit for position measurement systems supporting following interfaces:

EnDat

(Bi-directional interface for absolute encoders according to the specification of DR. J. HEIDENHAIN GmbH)

SSI

(Unidirectional Interface for absolute encoders)

square wave incremental signals

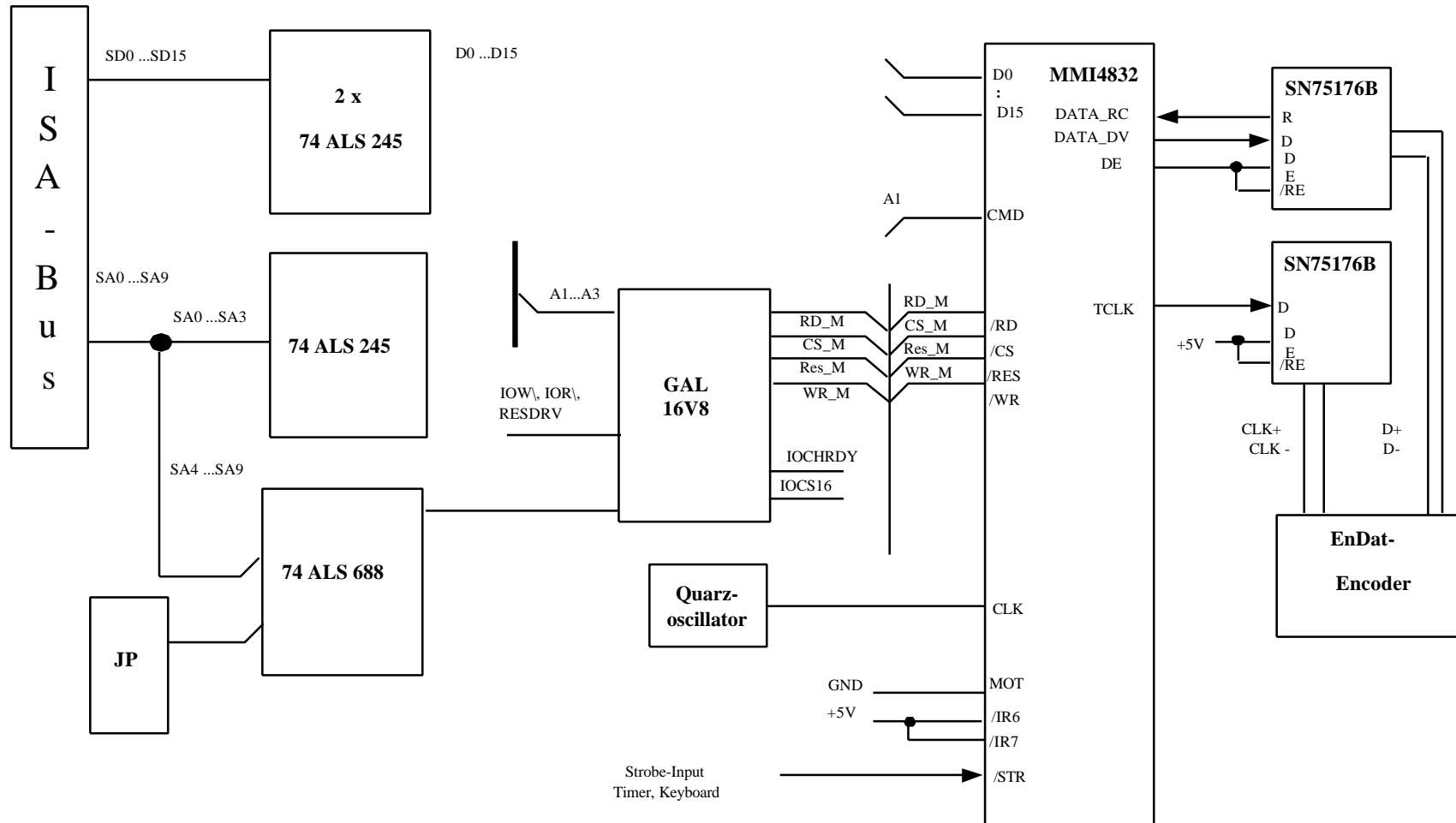
(Incremental I channel interface with a 32 bit encoder counter)

For more information please contact:

MAZeT GmbH
Office Jena, Mr. Dr. Mahler
Göschwitzer Str. 32
D-07745 JENA/Germany
ph. +49 3641 2809-0
fax. +49 3641 2809-12
email sales@MAZeT.de
www.MAZeT.de

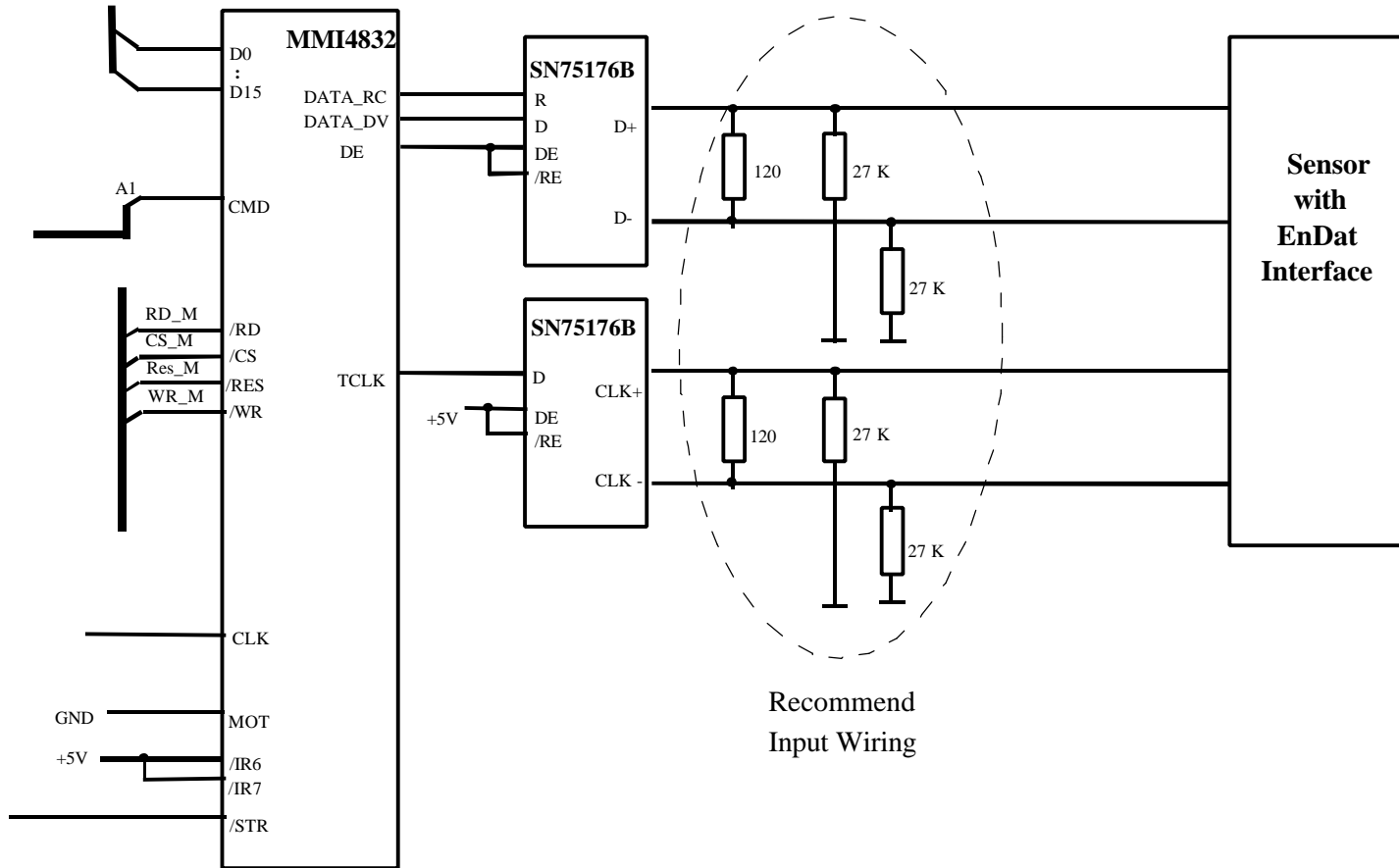
All information contained in this document relate to the technology available on date of release and is preliminary. MAZeT GmbH reserves the right to technological changes of devices and components described in this documentation.

Figure 1: MMI4832 with EnDat-Interface[®] measurement system and ISA-Bus



All information contained in this document relate to the technology available on date of release and is preliminary. MAZeT GmbH reserves the right to technological changes of devices and components described in this documentation.

Figure 2: Connecting of Transceiver



All information contained in this document relate to the technology available on date of release and is preliminary. MAZeT GmbH reserves the right to technological changes of devices and components described in this documentation.