

1 FEATURES

- HIGH PERFORMANCE, STABLE 57KHz FILTER
- HIGH SELECTIVITY
- FLAT GROUP DELAY
- HIGH PERFORMANCE LIMITER
- VERY FEW EXTERNAL COMPONENTS
- 4.332MHz CLOCK OSCILLATOR (8.664MHz OPTIONAL)

2 DESCRIPTION

The TDA7332 is an RDS filter, realized in switched capacitor technique.

The 4 biquad stage architecture is working with 4.332MHz clock.

Figure 1. Package

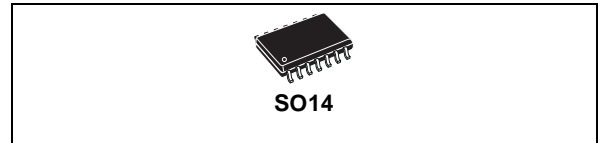


Table 1. Order Codes

Part Number	Package
TDA7332D	SO14
TDA7332D013TR	Tape & Reel
TDA7332DIE1	Chip on wafer

Optionally a 8.664MHz xtal can be used.

The filter has a center frequency of 57KHz and a bandwidth of 3KHz. Input 2nd order antialiasing filter and output smoothing filter are provided.

Block Diagram

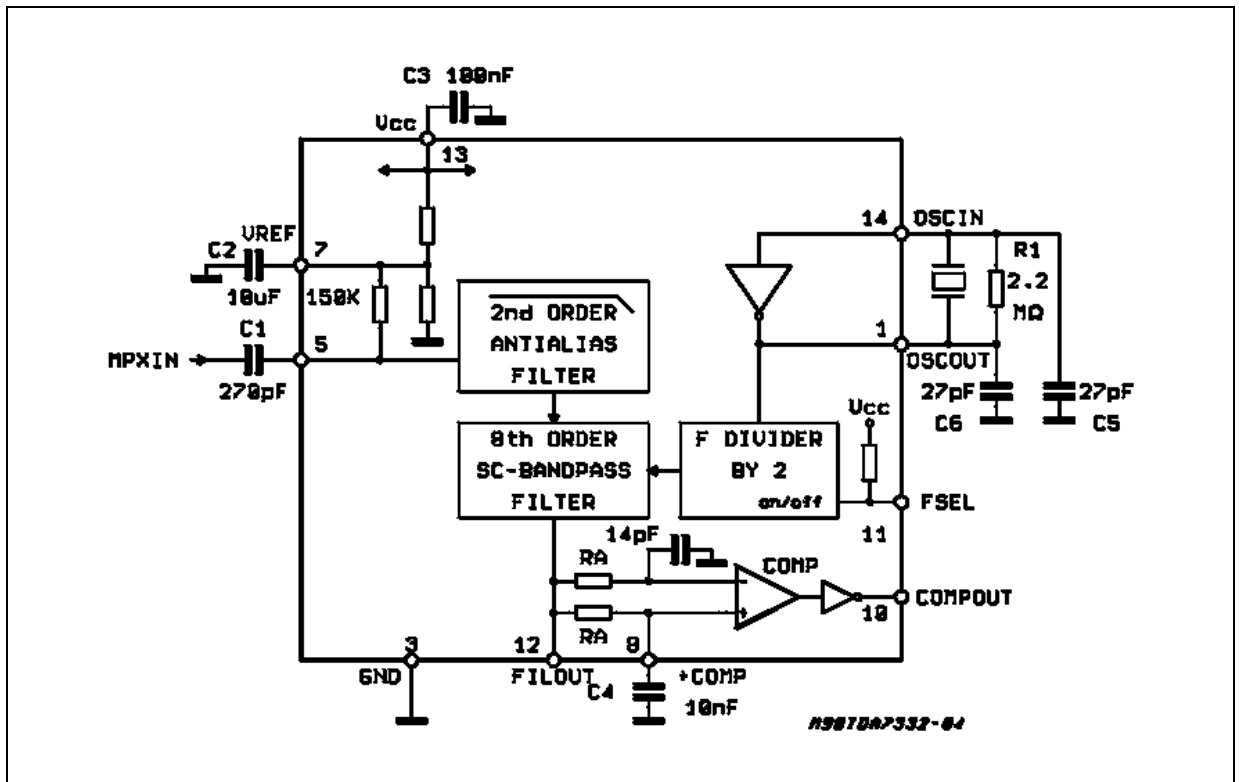


Figure 2. Absolute Maximum Ratings

Symbol	Parameter	Value	Unit
V_S	Supply Voltage	7	V
T_{op}	Operating Temperature Range	-40 to 85	°C
T_{stg}	Storage Temperature	-40 to 150	°C

Table 2. Thermal Data

Symbol	Parameter	Value	Unit
$R_{th\ j-case}$	Thermal Resistance Junction-case	200	°C

Figure 3. Pin Connection (Top view)

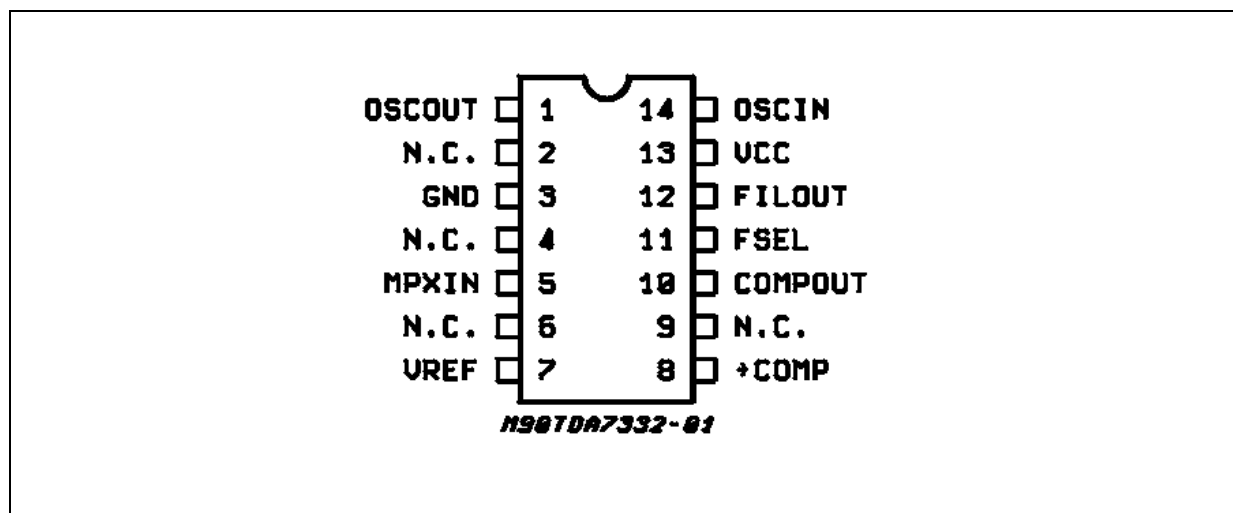


Figure 4. Bonding Pad Locations (Top view)

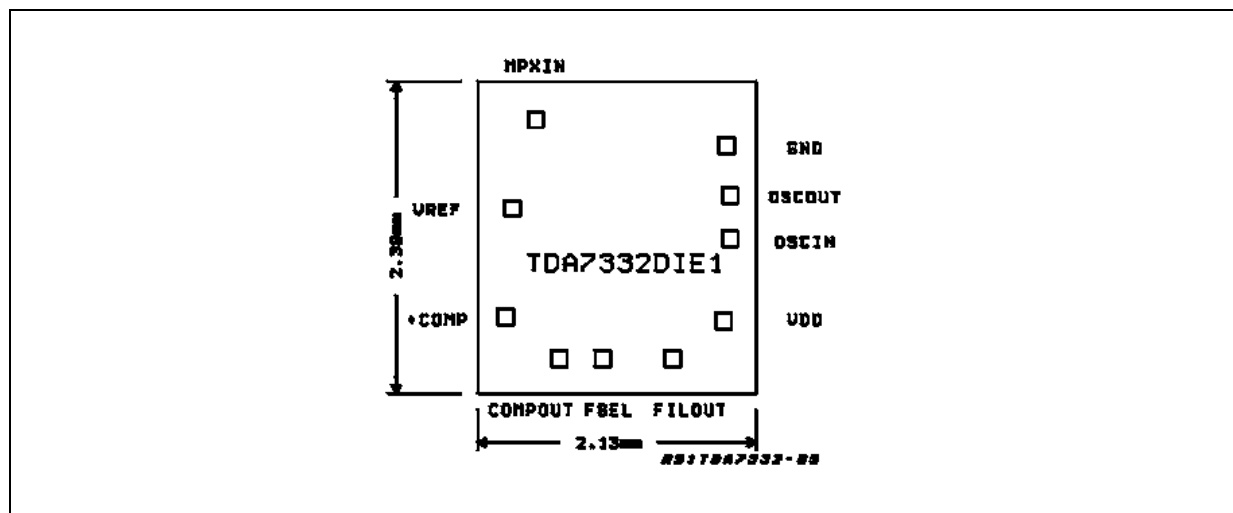


Table 3. Electrical Characteristics ($V_{CC} = 5V$, $T_{amb} = 25^\circ C$; $f_{osc} = 4.332MHz$; $V_{IN} = 20mV_{rms}$ unless

otherwise specified)

Symbol	Parameter	Test Condition	Min.	Typ.	Max.	Unit
SUPPLY SECTION						
V _{CC}	Supply Voltage		4.5	5	5.5	V
I _S	Supply Current		6	9	14	mA
FILTER						
F _C	Center Frequency		56.5	57	57.5	KHz
BW	3dB Bandwidth		2.5	3	3.5	KHz
G	Gain	f = 57KHz	18	20	22	dB
A	Attenuation	Δf = ±4KHz	18	22		dB
		f = 38KHz; V _i = 500mVrms	50	80		dB
		f = 67KHz; V _i = 250mVrms	35	50		dB
ΔPh	Phase non linearity	A (see note1)		0.5	5	DEG
		B (see note1)		1	7.5	DEG
		C (see note1)		2	10	DEG
R _i	Input Impedance		100	160	200	KΩ
S/N	Signal to Noise Ratio	V _i = 3mVrms	30	40		dB
V _i	Input Signal	f = 19KHz; T ₃ < -40dB (see note2)			1	Vrms
		f = 57KHz (RDS + ARI)			50	mVrms
R _L	Load Impedance	Pin 12	100			KΩ
LIMITER						
RA	Resistance pin 8-12		15	21	28	KΩ
V _{OL}	Comp. Output LOW	I _O = +0.5mA			1	V
V _{OH}	Comp. Output HIGH	I _O = -0.5mA	4			V
	Duty Cycle	V _i = 1mVrms		50		%
OSCILLATOR						
F _{OSC}	Oscillator Frequency	F _{SEL} = Open		4.332		MHz
		F _{SEL} = Closed to Ground		8.664		MHz
	Output Amplitude			4.5		V _{PP}
V _{CLL}	Clock Input Level LOW				1	V
V _{OLH}	Clock Input Level HIGH		4			V

CRYSTAL TYPE = EURO QUARTZ

Note (1):

The phase non linearity is defined as: $DPh = |-2ff_2 + ff_1 + ff_3|$
 where ffx is the input-output phase difference at the frequency fx (x = 1,2,3)

Table 4.

Measure	f1 (KHz)	f2 (KHz)	f3 (KHz)	ΔPh max
A	56.5	57	57.5	<5°
B	56	57	58	<7.5°
C	55.5	57	58.5	<10°

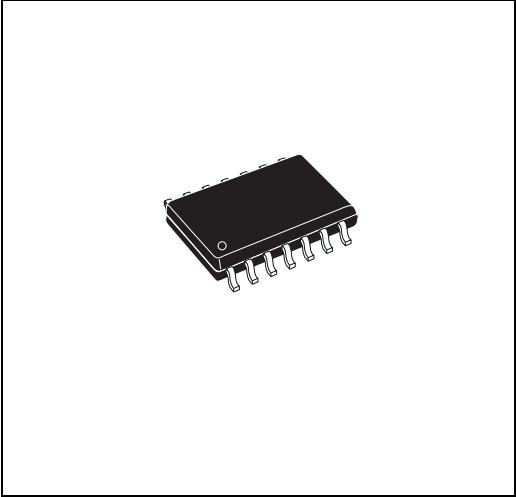
Note (2): The 3th harmonic (57KHz) at the output (pin12) must be less than -40dB in respect to the input signal plus gain.

Figure 5. SO14 Mechanical Data & Package Dimensions

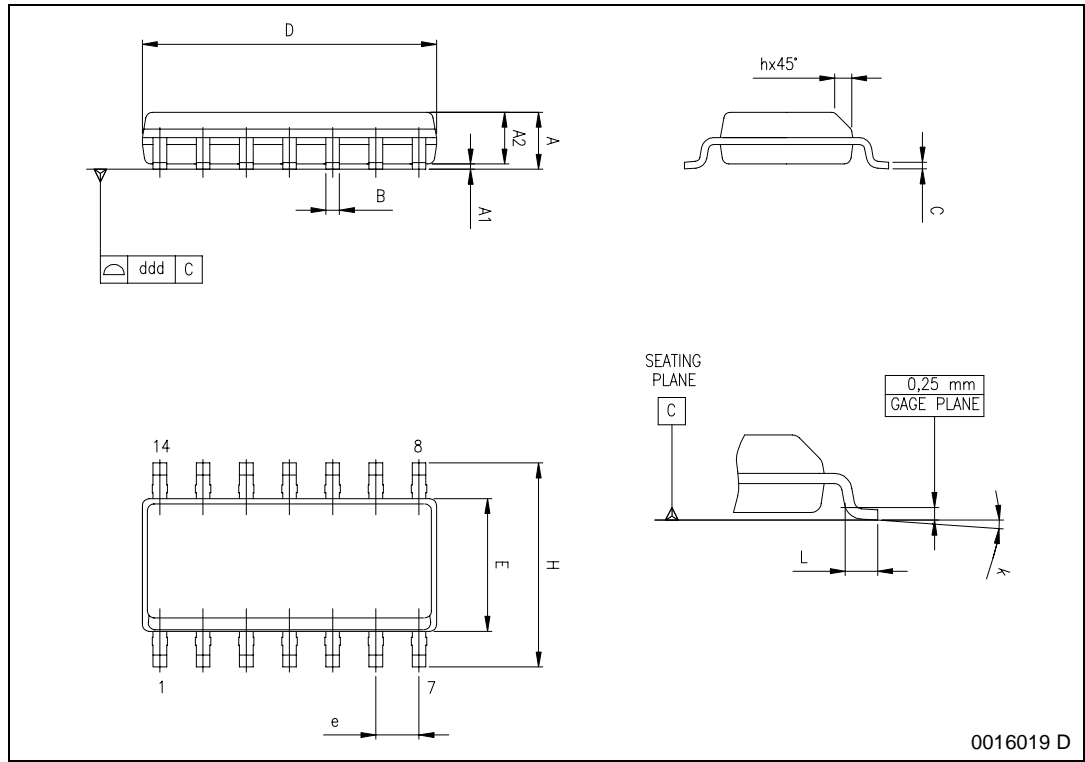
DIM.	mm			inch		
	MIN.	TYP.	MAX.	MIN.	TYP.	MAX.
A	1.35		1.75	0.053		0.069
A1	0.10		0.30	0.004		0.012
A2	1.10		1.65	0.043		0.065
B	0.33		0.51	0.013		0.020
C	0.19		0.25	0.007		0.01
D (1)	8.55		8.75	0.337		0.344
E	3.80		4.0	0.150		0.157
e		1.27			0.050	
H	5.8		6.20	0.228		0.244
h	0.25		0.50	0.01		0.02
L	0.40		1.27	0.016		0.050
k	0° (min.), 8° (max.)					
ddd			0.10			0.004

(1) "D" dimension does not include mold flash, protrusions or gate burrs. Mold flash, protrusions or gate burrs shall not exceed 0.15mm per side.

OUTLINE AND MECHANICAL DATA



SO14



0016019 D



Table 5. Revision History

Date	Revision	Description of Changes
September 2003	1	First Issue
September 2004	2	Deleted DIP 14 package and part number TDA7332. Aligned the graphic style to be compliant with the new "Corporate Technical Publications Design Guide"

Information furnished is believed to be accurate and reliable. However, STMicroelectronics assumes no responsibility for the consequences of use of such information nor for any infringement of patents or other rights of third parties which may result from its use. No license is granted by implication or otherwise under any patent or patent rights of STMicroelectronics. Specifications mentioned in this publication are subject to change without notice. This publication supersedes and replaces all information previously supplied. STMicroelectronics products are not authorized for use as critical components in life support devices or systems without express written approval of STMicroelectronics.

The ST logo is a registered trademark of STMicroelectronics.
All other names are the property of their respective owners

© 2004 STMicroelectronics - All rights reserved

STMicroelectronics group of companies

Australia - Belgium - Brazil - Canada - China - Czech Republic - Finland - France - Germany - Hong Kong - India - Israel - Italy - Japan -
Malaysia - Malta - Morocco - Singapore - Spain - Sweden - Switzerland - United Kingdom - United States of America

www.st.com