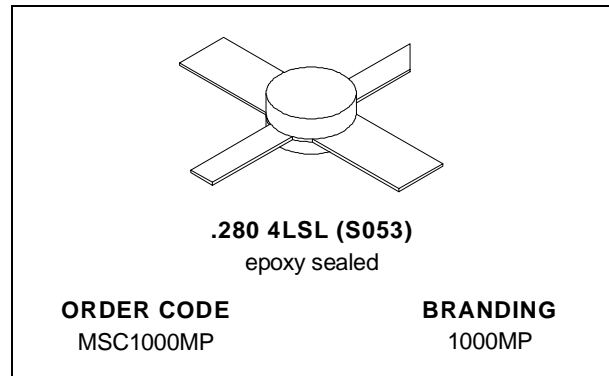


RF & MICROWAVE TRANSISTORS AVIONICS APPLICATIONS

- RUGGEDIZED VSWR $\infty:1$
- INPUT MATCHING
- LOW THERMAL RESISTANCE
- CLASS A OPERATION
- $P_{OUT} = 0.6 \text{ W MIN. WITH } 10.8 \text{ dB GAIN}$

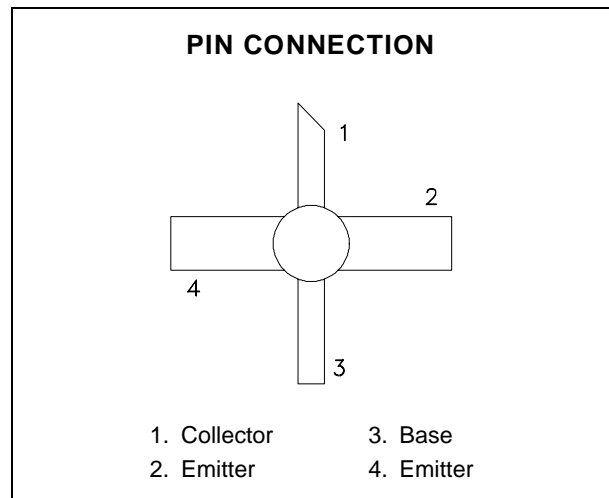


DESCRIPTION

The MSC1000MP is a Class A, common emitter transistor with an emitter ballasted Matrix geometry specifically designed for DME/IFF driver applications.

This device is capable of withstanding a $\infty:1$ load VSWR at any phase angle under full rated conditions. Low RF thermal resistance and semi-automatic wire bonding techniques ensure high reliability and product consistency.

The MSC1000MP is housed in the IMPAC™ package with internal input matching.



ABSOLUTE MAXIMUM RATINGS ($T_{case} = 25^{\circ}\text{C}$)

Symbol	Parameter	Value	Unit
P_{DISS}	Power Dissipation* (See Safe Area)	—	W
I_C	Device Current*	300	mA
V_{CE}	Collector-Emitter Bias Voltage*	20	V
T_J	Junction Temperature (Pulsed RF Operation)	200	$^{\circ}\text{C}$
T_{STG}	Storage Temperature	– 65 to +150	$^{\circ}\text{C}$

THERMAL DATA

$R_{TH(j-c)}$	Junction-Case Thermal Resistance*	35	$^{\circ}\text{C/W}$
---------------	-----------------------------------	----	----------------------

*Applies only to rated RF amplifier operation

MSC1000MP

ELECTRICAL SPECIFICATIONS (T_{case} = 25°C)

STATIC

Symbol	Test Conditions		Value			Unit
			Min.	Typ.	Max.	
BV _{CBO}	I _C = 1mA	I _E = 0mA	50	—	—	V
BV _{EBO}	I _E = 1mA	I _C = 0mA	3.5	—	—	V
BV _{CEO}	I _C = 5mA	I _B = 0mA	20	—	—	V
I _{CES}	V _{CE} = 28V		—	—	1.0	mA
h _{FE}	V _{CE} = 5V	I _C = 100mA	15	—	120	—

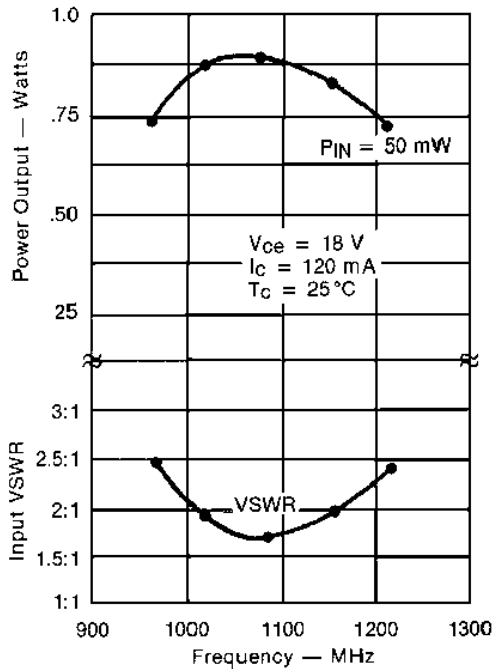
DYNAMIC

Symbol	Test Conditions			Value			Unit
				Min.	Typ.	Max.	
P _{OUT}	f = 1025 — 1150 MHz	P _{IN} = 50 mW	V _{CE} = 18 V	0.6	0.85	—	W
G _P	f = 1025 — 1150 MHz	P _{IN} = 50 mW	V _{CE} = 18 V	10.8	12.3	—	dB

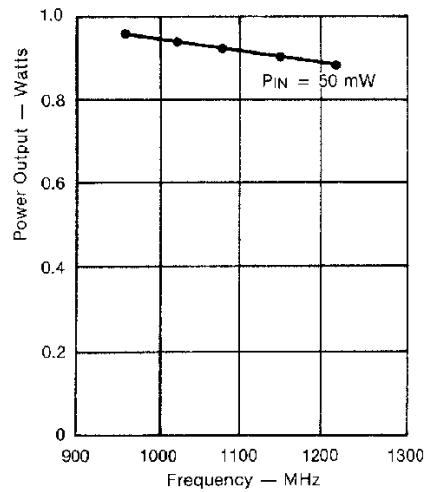
Note: Pulse Width = 10μSec I_C = 120mA
 Duty Cycle = 1%

TYPICAL PERFORMANCE

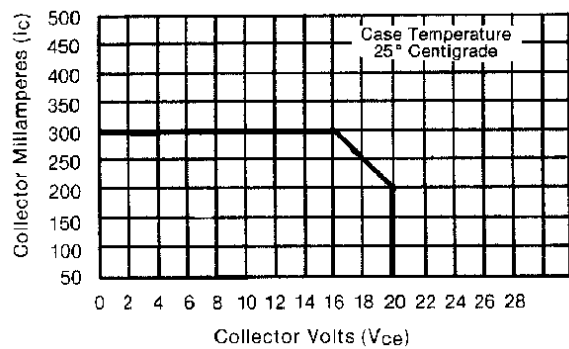
BROADBAND POWER AMPLIFIER



NARROWBAND POWER OUTPUT vs FREQUENCY

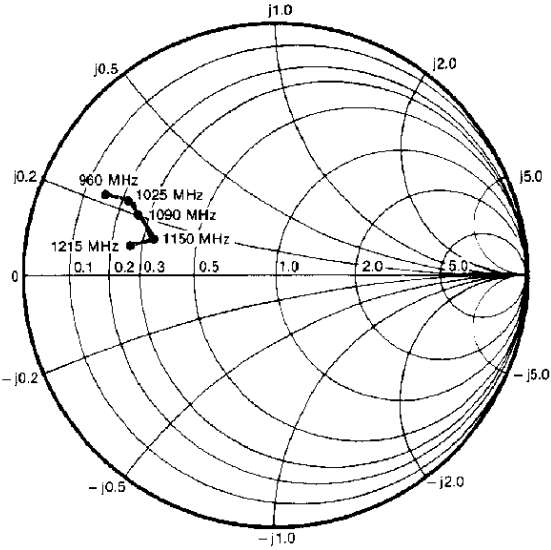


MAXIMUM OPERATING AREA for FORWARD BIAS OPERATION

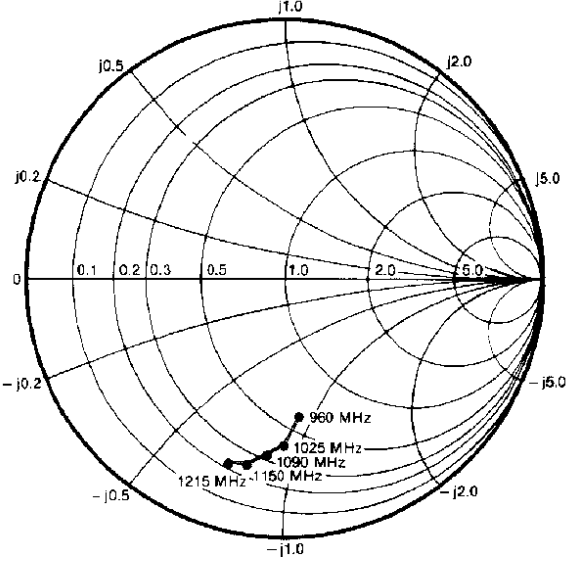


TYPICAL S-PARAMETERS

S11

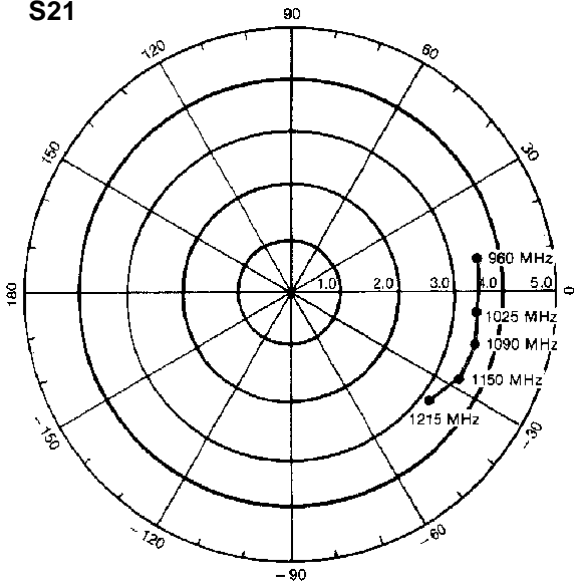


S22

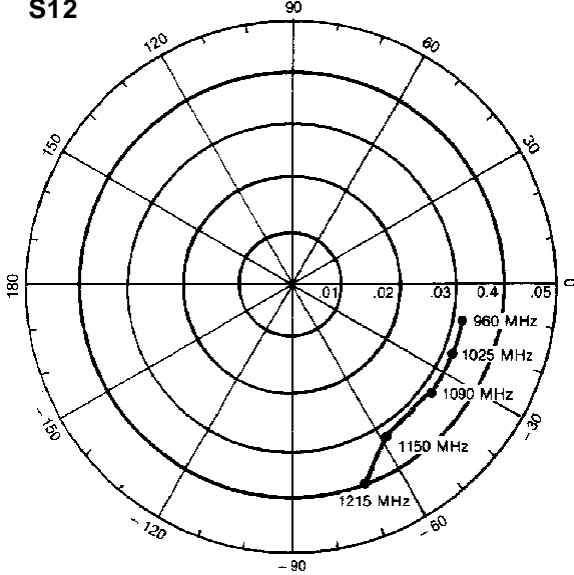


V_{CE} = 18 V
I_c = 120 mA
Z_g = 50 ohms

S21



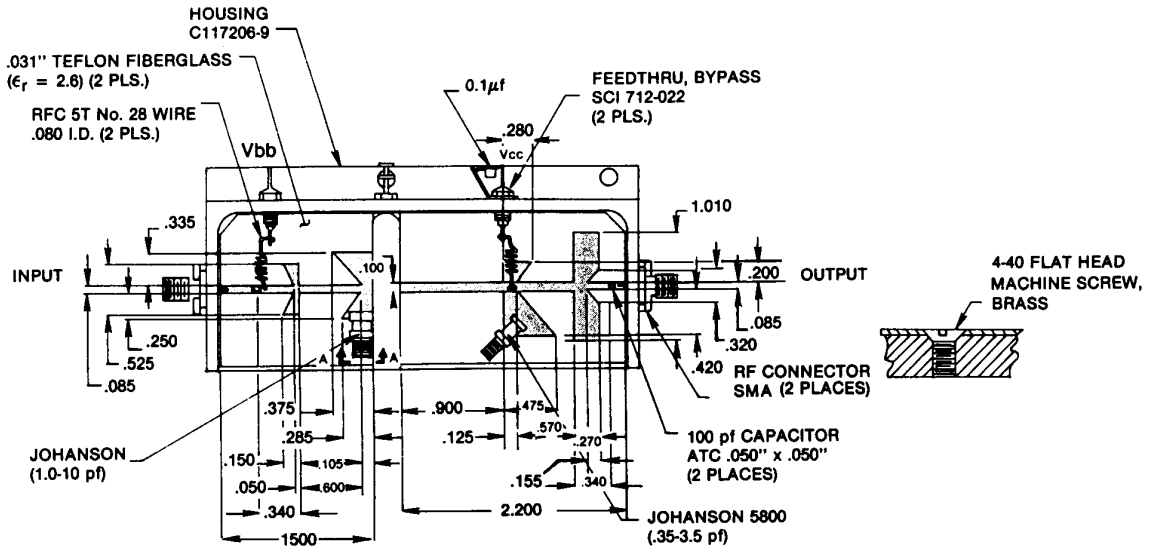
S12



MSC1000MP

TEST CIRCUIT

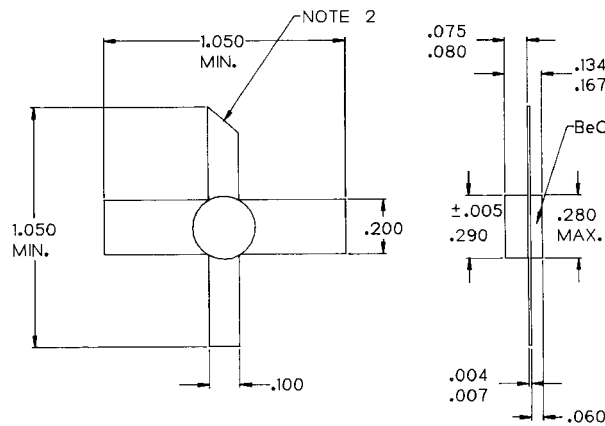
Ref.: Dwg. No. C127297



All dimensions are in inches.

PACKAGE MECHANICAL DATA

Ref.: Dwg. No.: J135032E



NOTES:

1. ALL TOLERANCE $\pm .010$ EXCEPT WHERE NOTED; DIMENSIONS IN INCHES.
2. COLLECTOR LEAD SLANT CUT.

Information furnished is believed to be accurate and reliable. However, SGS-THOMSON Microelectronics assumes no responsibility for the consequences of use of such information nor for any infringement of patents or other rights of third parties which may result from its use. No license is granted by implication or otherwise under any patent or patent rights of SGS-THOMSON Microelectronics. Specifications mentioned in this publication are subject to change without notice. This publication supersedes and replaces all information previously supplied. SGS-THOMSON Microelectronics products are not authorized for use as critical components in life support devices or systems without express written approval of SGS-THOMSON Microelectronics.

© 1994 SGS-THOMSON Microelectronics - All Rights Reserved

SGS-THOMSON Microelectronics GROUP OF COMPANIES
Australia - Brazil - France - Germany - Hong Kong - Italy - Japan - Korea - Malaysia - Malta - Morocco - The Netherlands -
Singapore - Spain - Sweden - Switzerland - Taiwan - Thailand - United Kingdom - U.S.A