

# 1.0A Step-Down Switching Regulator

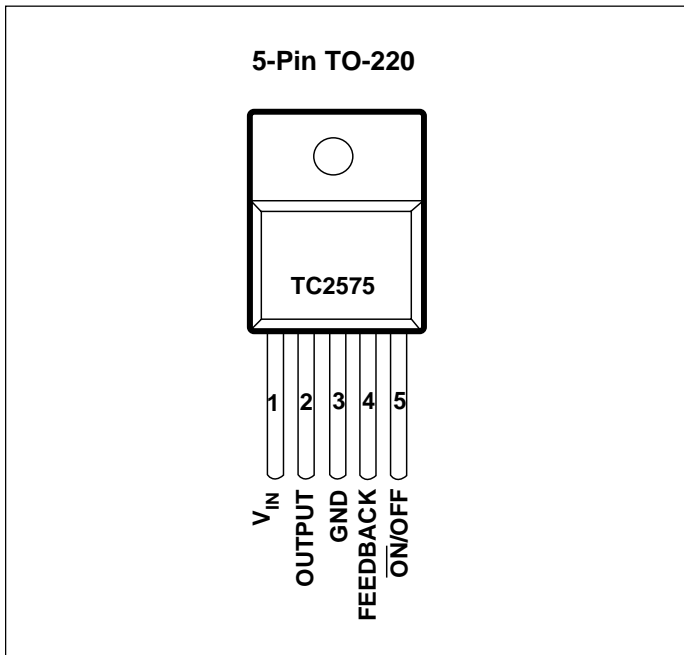
## FEATURES

- 3.3V, 5.0V, 12V, and Adjustable Output Versions
- Adjustable Version Output Voltage Range of 1.23V to 37V  $\pm 4\%$  Max. Over Line and Load Conditions
- Guaranteed 1.0 A Output Current
- Wide Input Voltage Range; 4.75V to 40V
- Requires Only 4 External Components
- 52kHz Fixed Frequency Internal Oscillator
- TTL Shutdown Capability, Low Power Standby Mode
- High Efficiency
- Uses Readily Available Standard Inductors
- Thermal Shutdown and Current Limit Protection

## APPLICATIONS

- Simple and High-Efficiency Step-Down (Buck) Regulator
- Efficient Pre-Regulator for Linear Regulators
- On-Card Switching Regulators
- Positive to Negative Converters (Buck-Boost)
- Negative Step-Up Converters
- Power Supply for Battery Chargers

## PIN CONFIGURATIONS



## GENERAL DESCRIPTION

The TC2575 series of regulators are monolithic integrated circuits ideally suited for easy and convenient design of a step-down switching regulator (buck converter). All circuits of this series are capable of driving a 1.0A load with excellent line and load regulation. These devices are available in fixed output voltages of 3.3V, 5.0V, 12V, and an adjustable output version.

These regulators were designed to minimize the number of external components to simplify the power supply design. Standard series of inductors optimized for use with the TC2575 are offered by several different inductor manufacturers.

Since the TC2575 converter is a switch-mode power supply, its efficiency is significantly higher in comparison with popular three-terminal linear regulators, especially with higher input voltages. In many cases, the power dissipated is so low, that no heatsinking is required or its size can be reduced dramatically.

The TC2575 features include a guaranteed  $\pm 4\%$  tolerance on output voltage within specified input voltages and output load conditions, and  $\pm 10\%$  on the oscillator frequency ( $\pm 2\%$  over  $0^\circ\text{C}$  to  $+125^\circ\text{C}$ ). External shutdown is included, featuring  $80\mu\text{A}$  (typical) standby current. The output switch includes cycle-by-cycle current limiting, as well as thermal shutdown for full protection under fault conditions.

## ORDERING INFORMATION

Part Number	Package	Temperature Range
TC2575-3.3VAT	5-Pin TO-220	-40 to +125°C
TC2575-5.0VAT	5-Pin TO-220	-40 to +125°C
TC2575-12.0VAT*	5-Pin TO-220	-40 to +125°C
TC2575VAT**	5-Pin TO-220	-40 to +125°C

Note: \* Contact factory for availability  
 \*\* ADJ = 1.23 To 37V.

# 1.0A Step-Down Switching Regulator

## TC2575

### ABSOLUTE MAXIMUM RATINGS\*

Maximum Supply Voltage .....	$V_{IN} = 45V$
ON/OFF Pin Input Voltage .....	$-0.3V \leq V \leq +V_{IN}$
Output Voltage to Ground (Steady State) .....	$-1.0V$
Max Power Dissipation(TO-220) .....	(Internally Limited)
Thermal Resistance, Junction-to-Ambient .....	$65^{\circ}C/W$
Thermal Resistance, Junction-to-Case .....	$5.0^{\circ}C/W$
Storage Temperature Range .....	$-65^{\circ}C$ to $+150^{\circ}C$

Minimum ESD Rating .....	3.0 kV (Human Body Model: C = 100pF, R = 1.5kΩ)
Lead Temperature (Soldering, 10 seconds) .....	$260^{\circ}C$
Maximum Junction Temperature .....	$150^{\circ}C$
Operating Junction Temperature Range ....	$-40$ to $+125^{\circ}C$
Supply Voltage .....	40V

\*This is a stress rating only, and functional operation of the device at these or any other conditions beyond those indicated in the operation section of the specifications is not implied. Exposure to absolute maximum ratings conditions for extended periods of time may affect device reliability.

**ELECTRICAL CHARACTERISTICS:** (Unless otherwise specified,  $V_{IN} = 12V$  for the 3.3V, 5.0V, and Adjustable version,  $V_{IN} = 25V$  for the 12V version.  $I_{LOAD} = 200mA$ . For typical values  $T_J = 25^{\circ}C$ , for min/max values  $T_J$  is the operating junction temperature range that applies (Note 2), unless otherwise noted.

Symbol	Parameter	Test Conditions	Min	Typ	Max	Units
<b>TC2575-3.3 [(Note 1) Test Circuit Figure 2]</b>						
$V_{OUT}$	Output Voltage	$V_{IN} = 12V, I_{LOAD} = 0.2A, T_J = 25^{\circ}C$ $4.75V \leq V_{IN} \leq 40V, 0.2A \leq I_{LOAD} \leq 1.0A$ $T_J = 25^{\circ}C$ $T_J = -40^{\circ}C$ to $+125^{\circ}C$	3.234 3.168 3.135	3.3 3.3 —	3.366 3.432 3.465	V
$\eta$	Efficiency	$V_{IN} = 12V, I_{LOAD} = 1.0A$	—	75	—	%
<b>TC2575-5 [(Note 1) Test Circuit Figure 2]</b>						
$V_{OUT}$	Output Voltage	$V_{IN} = 12V, I_{LOAD} = 0.2A, T_J = 25^{\circ}C$ $8.0V \leq V_{IN} \leq 40V, 0.2A \leq I_{LOAD} \leq 1.0A$ $T_J = 25^{\circ}C$ $T_J = -40^{\circ}C$ to $+125^{\circ}C$	4.9 4.8 4.75	5.0 5.0 —	5.1 5.2 5.25	V
$\eta$	Efficiency	$V_{IN} = 12V, I_{LOAD} = 1.0A$	—	77	—	%
<b>TC2575-12 [(Note 1) Test Circuit Figure 2]</b>						
$V_{OUT}$	Output Voltage	$V_{IN} = 25V, I_{LOAD} = 0.2A, T_J = 25^{\circ}C$ $15V \leq V_{IN} \leq 40V, 0.2A \leq I_{LOAD} \leq 1.0A$ $T_J = 25^{\circ}C$ $T_J = -40^{\circ}C$ to $+125^{\circ}C$	11.76 11.52 11.4	12 12 —	12.24 12.48 12.6	V
$\eta$	Efficiency	$V_{IN} = 15V, I_{LOAD} = 1.0A$	—	88	—	%
<b>TC2575-Adjustable Version [(Note 1) Test Circuit Figure 2]</b>						
$V_{FB}$	Feedback Voltage	$V_{IN} = 12V, I_{LOAD} = 0.2A, V_{OUT} = 5.0V,$ $T_J = 25^{\circ}C$	1.217	1.23	1.243	V
$V_{FB}$	Feedback Voltage	$8.0V \leq V_{IN} \leq 40V, 0.2A \leq I_{LOAD} \leq 1.0A$ $V_{OUT} = 5.0V$ $T_J = 25^{\circ}C$ $T_J = -40^{\circ}C$ to $+125^{\circ}C$	1.193 1.18	1.23 —	1.267 1.28	
$\eta$	Efficiency	$V_{IN} = 12V, I_{LOAD} = 1.0A, V_{OUT} = 5.0V$	—	77	—	%

- NOTES:**
- External components such as the catch diode, inductor, input and output capacitors can affect the switching regulator system performance. When the TC2575 is used as shown in the Figure 2 test circuit, the system performance will be as shown in the system parameters section of the Electrical Characteristics.
  - Tested junction temperature range for the TC2575:  $T_{LOW} = -40^{\circ}C$   $T_{HIGH} = +125^{\circ}C$

# 1.0A Step-Down Switching Regulator

TC2575

**ELECTRICAL CHARACTERISTICS:** (Unless otherwise specified,  $V_{IN} = 12V$  for the 3.3V, 5.0V, and Adjustable version,  $V_{IN} = 25V$  for the 12V version.  $I_{LOAD} = 200mA$ . For typical values  $T_J = 25^\circ C$ , for min/max values  $T_J$  is the operating junction temperature range that applies (Note 2), unless otherwise noted.

Symbol	Parameter	Test Conditions	Min	Typ	Max	Units
<b>TC2575-ALL OUTPUT VOLTAGE VERSIONS</b>						
$I_b$	Feedback Bias Current	$V_{OUT} = 5.0V$ (Adjustable Version Only) $T_J = 25^\circ C$ $T_J = -40^\circ C$ to $+125^\circ C$	— —	25 —	100 200	nA
$f_{OSC}$	Oscillator Frequency (Note 3)	$T_J = 25^\circ C$ $T_J = 0$ to $+125^\circ C$ $T_J = -40$ to $+125^\circ C$	— 47 42	52 — —	— 58 63	kHz
$V_{SAT}$	Saturation Voltage	$I_{OUT} = 1.0A$ , (Note 4) $T_J = 25^\circ C$ $T_J = -40$ to $+125^\circ C$	— —	1.0 —	1.2 1.3	V
DC	Max Duty Cycle ("on") [Note 5]		94	98	—	%
$I_{CL}$	Current Limit Peak Current (Notes 3 and 4)	$T_J = 25^\circ C$ $T_J = -40$ to $+125^\circ C$	1.7 1.4	2.3 —	3.0 3.2	A
$I_L$	Output Leakage Current (Notes 6 and 7), $T_J = 25^\circ C$	Output = 0 V Output = - 1.0 V	— —	0.8 6.0	2.0 20	mA
$I_Q$	Quiescent Current (Note 6)	$T_J = 25^\circ C$ $T_J = -40$ to $+125^\circ C$	— —	5.0 —	9.0 11	mA
$I_{STBY}$	Standby Quiescent Current, $\overline{ON}/OFF$ Pin = 5.0 V ("off")	$T_J = 25^\circ C$ $T_J = -40$ to $+125^\circ C$	— —	80 —	200 400	$\mu A$
$V_{IH}$	$\overline{ON}/OFF$ Pin Logic Input Level (Test Figure 2)	$V_{OUT} = 0V$ $T_J = 25^\circ C$ $T_J = -40$ to $+125^\circ C$	2.2 2.4	1.4 —	— —	V
$V_{IL}$	Nominal Output Voltage	$V_{OUT} =$ Nominal Output Voltage $T_J = 25^\circ C$ $T_J = -40$ to $+125^\circ C$	— —	1.2 —	1.0 0.8	V
$I_{IH}$	$\overline{ON}/OFF$ Pin Input Current (Test Figure 2)	$\overline{ON}/OFF$ Pin = 5.0V ("off"), $T_J = 25^\circ C$	—	15	30	$\mu A$
$I_{IL}$	$\overline{ON}/OFF$ Pin Input Current	$\overline{ON}/OFF$ Pin = 0V ("on"), $T_J = 25^\circ C$	—	0	5.0	$\mu A$

- NOTES:**
- The oscillator frequency reduces to approximately 18kHz in the event of an output short or an overload which causes the regulated output voltage to drop approximately 40% from the nominal output voltage. This self protection feature lowers the average power dissipation of the IC by lowering the minimum duty cycle from 5% down to approximately 2%.
  - Output (Pin 2) sourcing current. No diode, inductor or capacitor connected to the output pin.
  - Feedback (Pin 4) removed from output and connected to 0V.
  - Feedback (Pin 4) removed from output and connected to +12V for the Adjustable, 3.3V, and 5.0V versions, and 25V for the 12V, to force the output transistor "OFF".
  - $V_{IN} = 40 V$ .

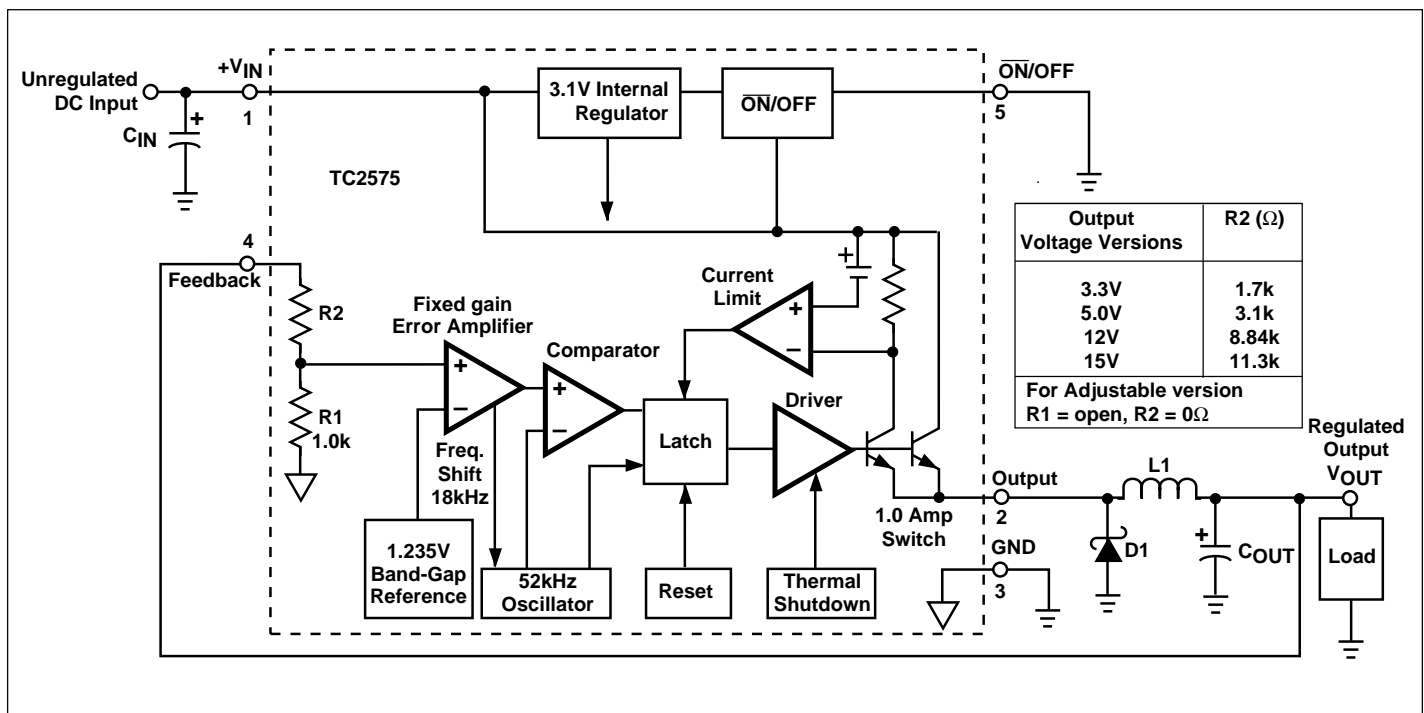
# 1.0A Step-Down Switching Regulator

## TC2575

### PIN DESCRIPTION

Pin No. 5-Pin TO-220	Symbol	Description
1	$V_{IN}$	This pin is the positive input supply for the TC2575 step-down switching regulator. In order to minimize voltage transients and to supply the switching currents needed by the regulator, a suitable input bypass capacitor must be present ( $C_{IN}$ in Figure 1).
2	Output	This is the emitter of the internal switch. The saturation voltage $V_{SAT}$ of this output switch is typically 1.0V. It should be kept in mind that the PCB area connected to this pin should be kept to a minimum in order to minimize coupling to sensitive circuitry.
3	GND	Circuit ground pin. See the information about the printed circuit board layout.
4	Feedback	This pin senses regulated output voltage to complete the feedback loop. The signal is divided by the internal resistor divider network R2, R1 and applied to the non-inverting input of the internal error amplifier. In the adjustable version of the TC2575 switching regulator this pin is the direct input of the error amplifier and the resistor network R2, R1 is connected externally to allow programming of the output voltage.
5	$\overline{ON/OFF}$	It allows the switching regulator circuit to be shut down using logic level signals, thus dropping the total input supply current to approximately 80 $\mu$ A. The threshold voltage is typically 1.4V. Applying a voltage above this value (up to $+V_{IN}$ ) shuts the regulator off. If the voltage applied to this pin is lower than 1.4V or if this pin is left open, the regulator will be in the "on" condition.

### REPRESENTATIVE BLOCK DIAGRAM AND TYPICAL APPLICATION



# 1.0A Step-Down Switching Regulator

TC2575

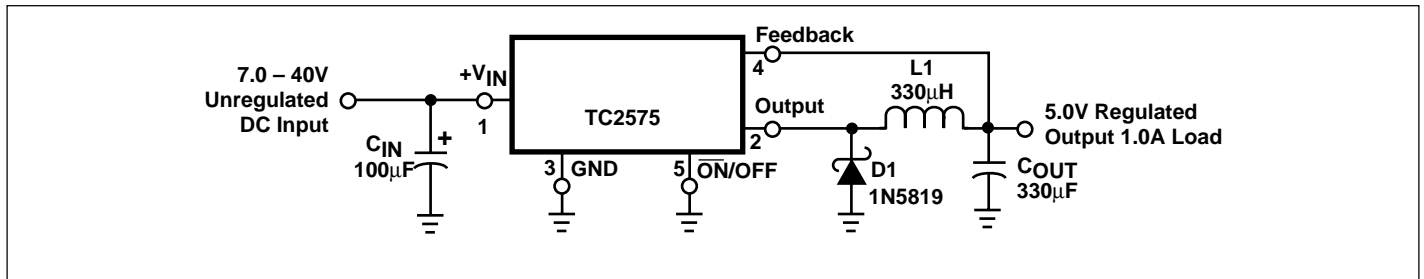


Figure 1. Block Diagram and Typical Application: Fixed Output Voltages

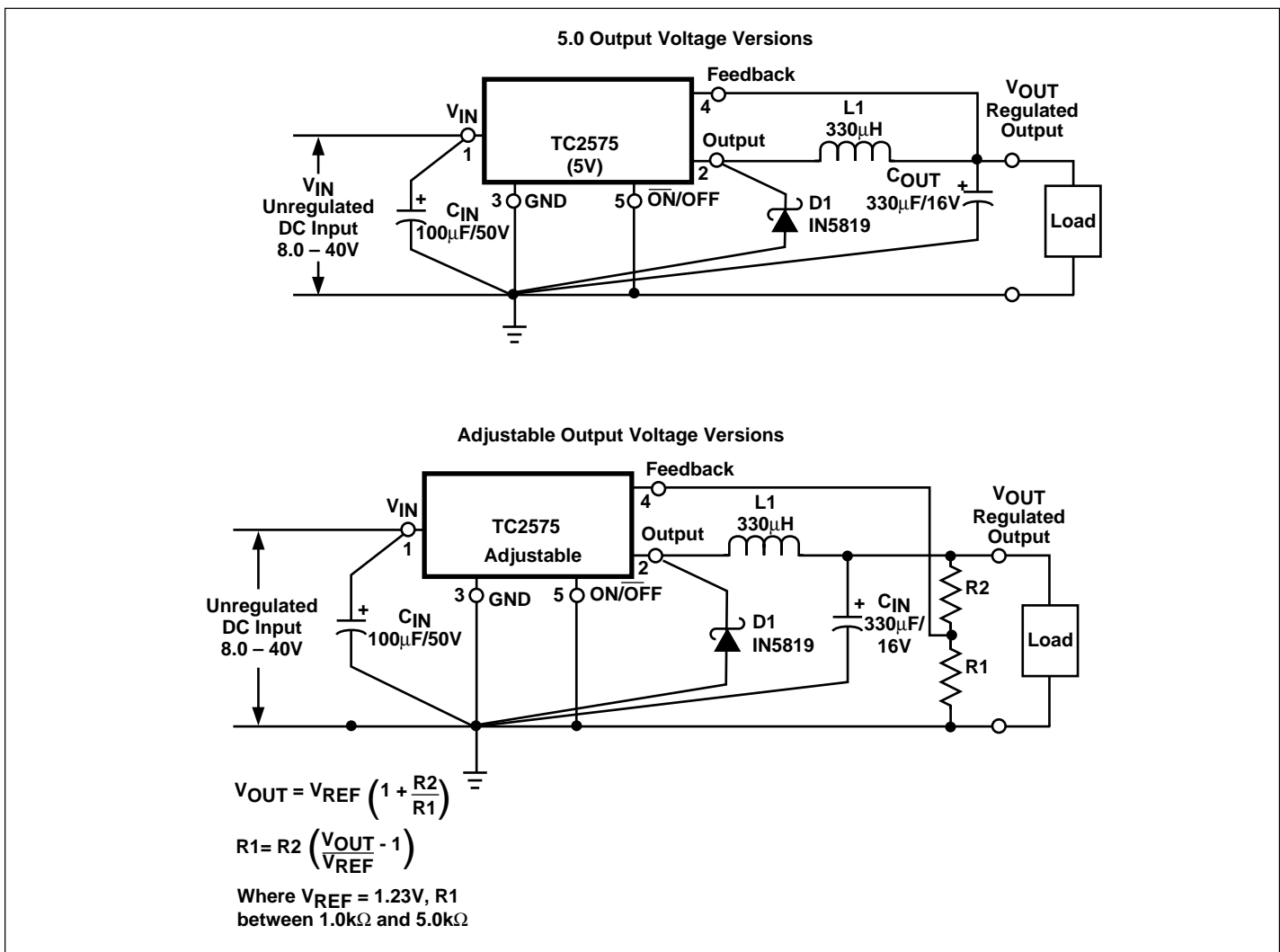


Figure 2. Typical Test Circuit

## TC2575

### PCB LAYOUT GUIDELINES

As in any switching regulator, the layout of the printed circuit board is very important. Rapidly switching currents associated with wiring inductance, stray capacitance and parasitic inductance of the printed circuit board traces can generate voltage transients which can generate electromagnetic interferences (EMI) and affect the desired operation. As indicated in the Figure 2, to minimize inductance and ground loops, the length of the leads indicated by heavy lines should be kept as short as possible.

For best results, single-point grounding (as indicated) or ground plane construction should be used.

On the other hand, the PCB area connected to the Pin 2 (emitter of the internal switch) of the TC2575 should be kept to a minimum in order to minimize coupling to sensitive circuitry.

Another sensitive part of the circuit is the feedback. It is important to keep the sensitive feedback wiring short. To assure this, physically locate the programming resistors near to the regulator, when using the adjustable version of the TC2575 regulator.

### DESIGN PROCEDURE

#### Buck Converter Basics

The TC2575 is a “Buck” or Step-Down Converter which is the most elementary forward-mode converter. Its basic schematic can be seen in Figure 3.

The operation of this regulator topology has two distinct time periods. The first one occurs when the series switch is on, the input voltage is connected to the input of the inductor.

The output of the inductor is the output voltage, and the rectifier (or catch diode) is reverse biased. During this period, since there is a constant voltage source connected across the inductor, the inductor current begins to linearly ramp upwards, as described by the following equation:

$$I_{L(ON)} = \frac{(V_{IN} - V_{OUT}) t_{ON}}{L}$$

During this “on” period, energy is stored within the core material in the form of magnetic flux. If the inductor is properly designed, there is sufficient energy stored to carry the requirements of the load during the “off” period.

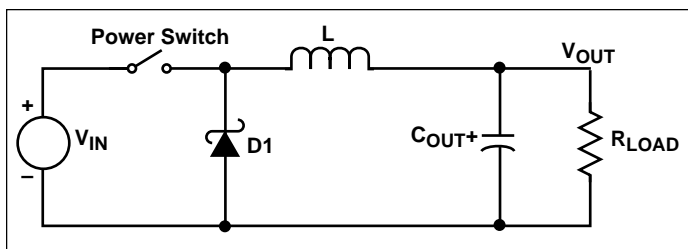


Figure 3. Basic Buck Converter

The next period is the “off” period of the power switch. When the power switch turns off, the voltage across the inductor reverses its polarity and is clamped at one diode voltage drop below ground by the catch diode. Current now flows through the catch diode thus maintaining the load current loop. This removes the stored energy from the inductor. The inductor current during this time is:

$$I_{L(OFF)} = \frac{(V_{OUT} - V_D) t_{OFF}}{L}$$

This period ends when the power switch is once again turned on. Regulation of the converter is accomplished by varying the duty cycle of the power switch. It is possible to describe the duty cycle as follows:

$$d = \frac{t_{ON}}{T}, \text{ where } T \text{ is the period of switching.}$$

For the buck converter with ideal components, the duty cycle can also be described as:

$$d = \frac{V_{OUT}}{V_{IN}}$$

Figure 4 shows the buck converter idealized waveforms of the catch diode voltage and the inductor current.

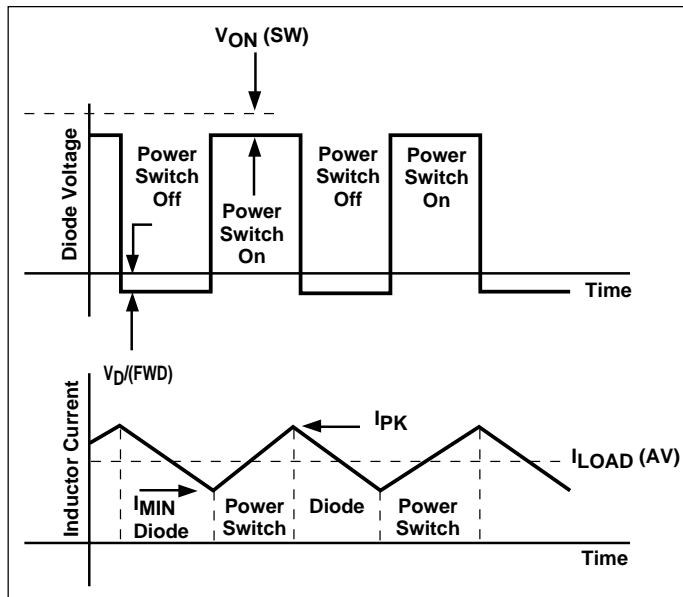


Figure 4. Buck Converter Idealized Waveforms

# 1.0A Step-Down Switching Regulator

TC2575

## Procedure (Fixed Output Voltage Version)

In order to simplify the switching regulator design, a step-by-step design procedure and some examples are provided.

Procedure	Example
<p><b>Given Parameters:</b></p> <p><math>V_{OUT}</math> = Regulated Output Voltage (3.3V, 5.0V or 12V)</p> <p><math>V_{IN(max)}</math> = Maximum DC Input Voltage</p> <p><math>I_{LOAD(max)}</math> = Maximum Load Current</p>	<p><b>Given Parameters:</b></p> <p><math>V_{OUT}</math> = 5.0V</p> <p><math>V_{IN(max)}</math> = 20V</p> <p><math>I_{LOAD(max)}</math> = 0.8A</p>
<p><b>1. Controller IC Selection</b></p> <p>According to the required input voltage, output voltage and current select the appropriate type of the controller IC output voltage version.</p>	<p><b>1. Controller IC Selection</b></p> <p>According to the required input voltage, output voltage, current polarity and current value, use the TC2575 (5V) controller IC.</p>
<p><b>2. Input Capacitor Selection (<math>C_{IN}</math>)</b></p> <p>To prevent large voltage transients from appearing at the input and for stable operation of the converter, an aluminum or tantalum electrolytic bypass capacitor is needed between the input pin +<math>V_{IN}</math> and ground pin GND. This capacitor should be located close to the IC using short leads. This capacitor should have a low ESR (Equivalent Series Resistance) value.</p>	<p><b>2. Input Capacitor Selection (<math>C_{IN}</math>)</b></p> <p>A 47<math>\mu</math>F, 25V aluminium electrolytic capacitor located near to the input and ground pins provides sufficient bypassing.</p>
<p><b>3. Catch Diode Selection (D1)</b></p> <p><b>A.</b> Since the diode maximum peak current exceeds the regulator maximum load current, the catch diode current rating must be at least 1.2 times greater than the maximum load current. For a robust design the diode should have a current rating equal to the maximum current limit of the TC2575 to be able to withstand a continuous output short.</p> <p><b>B.</b> The reverse voltage rating of the diode should be at least 1.25 times the maximum input voltage.</p>	<p><b>3. Catch Diode Selection (D1)</b></p> <p><b>A.</b> For this example the current rating of the diode is 1.0A</p> <p><b>B.</b> Use a 30V 1N5818 Schottky diode, or any of the suggested fast recovery diodes shown in Table 4.</p>
<p><b>4. Inductor Selection (L1)</b></p> <p><b>A.</b> According to the required working conditions, select the correct inductor value using the selection guide from Figures 32 to 36.</p> <p><b>B.</b> From the appropriate inductor selection guide, identify the inductance region intersected by the Maximum Input Voltage line and the Maximum Load Current line. Each region is identified by an inductance value and an inductor code.</p> <p><b>C.</b> Select an appropriate inductor from the several different manufacturers part numbers listed in Table 1 or Table 2. When using Table 2 for selecting the right inductor, the designer must realize that the inductor current rating must be higher than the maximum peak current flowing through the inductor. This maximum peak current can be calculated as follows:</p> $I_{P(max)} = I_{LOAD(max)} + \frac{(V_{IN} - V_{OUT}) t_{ON}}{2L}$ <p>where <math>t_{ON}</math> is the "on" time of the power switch and</p> $t_{ON} = \frac{V_{OUT}}{V_{IN}} \times \frac{1.0}{f_{OSC}}$ <p>For additional information about the inductor, see the inductor section in the "EXTERNAL COMPONENTS" section of this data sheet.</p>	<p><b>4. Inductor Selection (L1)</b></p> <p><b>A.</b> Use the inductor selection guide shown in Figure 32 to 36.</p> <p><b>B.</b> From the selection guide, the inductance area intersected by the 20V line and 0.8A line is L300.</p> <p><b>C.</b> Inductor value required is 300<math>\mu</math>H. From Table 1, or Table 2, choose an inductor from any of the listed manufacturers.</p>

# 1.0A Step-Down Switching Regulator

## TC2575

### Procedure (Fixed Output Voltage Version) (Continued)

In order to simplify the switching regulator design, a step-by-step design procedure and examples are provided.

Procedure	Example
<p><b>5. Output Capacitor Selection (C<sub>OUT</sub>)</b></p> <p><b>A.</b> Since the TC2575 is a forward-mode switching regulator with voltage mode control, its open loop 2-pole-2-zero frequency characteristic has the dominant pole-pair determined by the output capacitor and inductor values. For stable operation and an acceptable ripple voltage, (approximately 1% of the output voltage) a value between 100µF and 470µF is recommended.</p> <p><b>B.</b> Due to the fact that the higher voltage electrolytic capacitors generally have lower ESR (Equivalent Series Resistance) numbers, the output capacitor's voltage rating should be at least 1.5 times greater than the output voltage. For a 5.0V regulator, a rating at least 8.0V is appropriate, and a 10V or 16V rating is recommended.</p>	<p><b>5. Output Capacitor Selection (C<sub>OUT</sub>)</b></p> <p><b>A.</b> C<sub>OUT</sub> = 100µF to 470µF standard aluminium electrolytic.</p> <p><b>B.</b> Capacitor voltage rating = 16V.</p>

### Procedure (Adjustable Output Version: TC2575-ADJ)

Procedure	Example
<p><b>Given Parameters:</b></p> <p>V<sub>OUT</sub> = Regulated Output Voltage  V<sub>IN</sub> (max) = Maximum DC Input Voltage  I<sub>LOAD</sub> (max) = Maximum Load Current</p>	<p><b>Given Parameters:</b></p> <p>V<sub>OUT</sub> = 8.0V  V<sub>IN</sub> (max) = 12V  I<sub>LOAD</sub> (max) = 1.0V</p>
<p><b>1. Programming Output Voltage</b></p> <p>To select the right programming resistor R1 and R2 value (see Figure 2) use the following formula:</p> $V_{OUT} = V_{REF} \left( 1.0 + \frac{R2}{R1} \right) \text{ where } V_{REF} = 1.23V$ <p>Resistor R1 can be between 1.0kΩ and 5.0kΩ. (For best temperature coefficient and stability with time, use 1% metal film resistors).</p> $R2 = R1 \left( \frac{V_{OUT}}{V_{REF}} - 1 \right)$	<p><b>1. Programming Output Voltage (selecting R1 and R2)</b></p> <p>Select R1 and R2</p> $V_{OUT} = 1.23 \left( 1.0 + \frac{R2}{R1} \right) \text{ Select } R1 = 1.8k\Omega$ $R2 = R1 \left( \frac{V_{OUT}}{V_{REF}} - 1.0 \right) = 1.08k \left( \frac{8.0V}{1.23V} - 1 \right)$ <p>R1 = 9.91kΩ, choose a 9.88kΩ metal film resistor.</p>
<p><b>2. Input Capacitor Selection (C<sub>IN</sub>)</b></p> <p>To prevent large voltage transients from appearing at the input and for stable operation of the converter, an aluminium or tantalum electrolytic bypass capacitor is needed between the input pin +V<sub>IN</sub> and ground pin GND. This capacitor should be located close to the IC using short leads. This capacitor should have a low ESR (Equivalent Series Resistance) value.</p> <p>For additional information see input capacitor section in the "EXTERNAL COMPONENTS" section of this data sheet.</p>	<p><b>2. Input Capacitor Selection (C<sub>IN</sub>)</b></p> <p>A 100µF, aluminium electrolytic capacitor located near the input and ground pin provides sufficient bypassing.</p>



# 1.0A Step-Down Switching Regulator

TC2575

## Procedure (Adjustable Output Version: TC2575-ADJ) (Continued)

Procedure	Example
<p><b>3. Catch Diode Selection (D1)</b></p> <p>A. Since the diode maximum peak current exceeds the regulator maximum load current the catch diode current rating must be at least 1.2 times greater than the maximum load current. For a robust design, the diode should have a current rating equal to the maximum current limit of the TC2575 to be able to with stand a continuous output short.</p> <p>B. The reverse voltage rating of the diode should be at least 1.25 times the maximum input voltage.</p>	<p><b>3. Catch Diode Selection (D1)</b></p> <p>A. For this example, a 3.0A current rating is adequate.</p> <p>B. Use a 20V IN5820 or MBR320 Schottky diode or any suggested fast recovery diodes in Table 4.</p>
<p><b>4. Inductor Selection (L1)</b></p> <p>A. Use the following formula to calculate the inductor Volt x microsecond [V x μs] constant:</p> $E \times T = (V_{IN} - V_{OUT}) \frac{V_{OUT}}{V_{IN}} \times \frac{10^6}{F[\text{Hz}]} [\text{V} \times \mu\text{sec}]$ <p>B. Match the calculated E x T value with the corresponding number on the vertical axis of the Inductor Value Selection Guide shown in Figure 37. This E x T constant is a measure of the energy handling capability of an inductor and is dependent upon the type of core, the core area, the number of turns, and the duty cycle.</p> <p>C. Next step is to identify the inductance region intersected by the E x T value and the maximum load current value on the horizontal axis shown in Figure 35.</p> <p>D. From the inductor code, identify the inductor value. Then select an appropriate inductor from Table 1 or Table 2. The inductor chosen must be rated for a switching frequency of 52kHz and for a current rating of 1.15 x I<sub>LOAD</sub>. The inductor current rating can also be determined by calculating the inductor peak current:</p> $I_{P(\text{max})} = I_{\text{LOAD}(\text{max})} + \frac{(V_{IN} - V_{OUT}) t_{\text{ON}}}{2L}$ <p>where t<sub>ON</sub> is the "on" time of the power switch and</p> $t_{\text{ON}} = \frac{(V_{\text{OUT}} - 1.0)}{V_{\text{IN}}} \times \frac{1.0}{f_{\text{OSC}}}$ <p>For additional information about the inductor, see the inductor section in the "External Components" section of this data sheet.</p>	<p><b>4. Inductor Selection (L1)</b></p> <p>A. Calculate E x T [V x μsec] constant:</p> $E \times T = (12 - 8.0) \times \frac{8.0}{12} \times \frac{1000}{52} = 51 [\text{V} \times \mu\text{sec}]$ <p>B. E x T = 51 [V x μsec]</p> <p>C. I<sub>LOAD(max)</sub> = 1.0A Inductance Region = L220</p> <p>D. Proper inductor value = 220μH Choose the inductor from Table 1 or Table 2</p>

## TC2575

### Procedure (Adjustable Output Version: TC2575-ADJ) (Continued)

Procedure	Example
<p><b>5. Output Capacitor Selection (C<sub>OUT</sub>)</b></p> <p>A. Since the TC2575 is a forward-mode switching regulator with voltage mode control, its open loop 2-pole-1-zero frequency characteristic has the dominant pole-pair determined by the output capacitor and inductor values.</p> <p>For stable operation, the capacitor must satisfy the following requirement:</p> $C_{OUT} \geq 7.785 \frac{V_{IN(max)}}{V_{OUT} \times L} [\mu F]$ <p>B. Capacitor values between 10μF and 2000μF will satisfy the loop requirements for stable operation. To achieve an acceptable output ripple voltage and transient response, the output capacitor may need to be several times larger than the above formula yields.</p> <p>C. Due to the fact that the higher voltage electrolytic capacitors generally have lower ESR (Equivalent Series Resistance) numbers, the output capacitor's voltage rating should be at least 1.5 times greater than the output voltage. For a 5.0V regulator, a rating of at least 8.0V is appropriate, and a 10V or 16V rating is recommended.</p>	<p><b>5. Output Capacitor Selection (C<sub>OUT</sub>)</b></p> <p>A. <math>C_{OUT} \geq 7.785 \frac{12}{8 \times 220} = 53\mu F</math></p> <p>To achieve an acceptable ripple voltage, select C<sub>OUT</sub> 100μF electrolytic capacitor.</p>

**Table 1. Inductor Selection Guide**

Inductor Code	Inductor Value	Pulse Eng	Renco	AIE	Tech 39
L100	100μH	PE-92108	RL2444	415-0930	77 308 BV
L150	150μH	PE-53113	RL1954	415-0953	77 358 BV
L220	220μH	PE-52626	RL1953	415-0922	77 408 BV
L330	330μH	PE-52627	RL1952	415-0926	77 458 BV
L470	470μH	PE-53114	RL1951	415-0927	-
L680	680μH	PE-52629	RL1950	415-0928	77 508 BV
H150	150μH	PE-53115	RL2445	415-0936	77 368 BV
H220	220μH	PE-53116	RL2446	430-0636	77 410 BV
H330	330μH	PE-53117	RL2447	430-0635	77 460 BV
H470	470μH	PE-53118	RL1961	430-0634	-
H680	680μH	PE-53119	RL1960	415-0935	77 510 BV
H1000	1000μH	PE-53120	RL1959	415-0934	77 558 BV
H1500	1500μH	PE-53121	RL1958	415-0933	-
H2200	2200μH	PE-53122	RL2448	415-0945	77 610 BV

**Note:** \*Contact Manufacturer

# 1.0A Step-Down Switching Regulator

TC2575

**Table 2. Inductor Selection Guide**

Inductance ( $\mu$ H)	Current (A)	Schott		Renco		Pulse Engineering		Coilcraft
		THT	SMT	THT	SMT	THT	SMT	SMT
68	0.32	67143940	67144310	RL-1284-68-43	RL1500-68	PE-53804	PE-53804-S	DO1608-68
	0.58	67143990	67144360	RL-5470-6	RL1500-68	PE-53812	PE-53812-S	DO3308-683
	0.99	67144070	67144450	RL-5471-5	RL1500-68	PE-53821	PE-53821-S	DO3316-683
	1.78	67144140	67144520	RL-5471-5	-	PE-53830	PE-53830-S	DO5022P-683
100	0.48	67143980	67144350	RL-5470-5	RL1500-100	PE-53811	PE-53811-S	DO3308-104
	0.82	67144060	67144440	RL-5471-4	RL1500-100	PE-53820	PE-53820-S	DO3316-104
	1.47	67144130	67144510	RL-5471-4	-	PE-53829	PE-53829-S	DO5022P-104
150	0.39	-	67144340	RL-5470-4	RL1500-150	PE-53810	PE-53810-S	DO3308-154
	0.66	67144050	67144430	RL-5471-3	RL1500-150	PE-53819	PE-53819-S	DO3316-154
	1.20	67144120	67144500	RL-5471-3	-	PE-53828	PE-53828-S	DO5022P-154
220	0.32	67143960	67144330	RL-5470-3	RL1500-220	PE-53809	PE-53809-S	DO3308-224
	0.55	67144040	67144420	RL-5471-2	RL1500-220	PE-53818	PE-53818-S	DO3316-224
	1.00	67144110	67144490	RL-5471-2	-	PE-53827	PE-53827-S	DO5022P-224
330	0.42	67144030	67144410	RL-5471-1	RL1500-330	PE-53817	PE-53817-S	DO3316-334
	0.80	67144100	67144480	RL-5471-1	-	PE-53826	PE-53826-S	DO5022P-334

Note: Table 1 and Table 2 of this Indicator Selection Guide shows some examples of different manufacturer products suitable for design with the TC2575.

**Table 3. Example of Several Inductor Manufacturers Phone/Fax Numbers**

<b>Pulse Engineering Inc.</b>	Phone Fax	+ 1-619-674-8100 + 1-619-674-8262
<b>Pulse Engineering Inc. Europe</b>	Phone Fax	+ 353 93 24 107 + 353 93 24 459
<b>Renco Electronics Inc.</b>	Phone Fax	+ 1-516-645-5828 + 1-516-586-5562
<b>AIE Magnetics</b>	Phone Fax	+ 1-813-347-2181
<b>Coilcraft Inc.</b>	Phone Fax	+ 1-708-322-2645 + 1-708-639-1469
<b>Coilcraft Inc., Europe</b>	Phone Fax	+ 44 1236 730 595 + 44 1236 730 627
<b>Tech 39</b>	Phone Fax	+ 33 8425 2626 + 33 8425 2610
<b>Schott Corp.</b>	Phone Fax	+ 1-612-475-1173 + 1-612-475-1786

# 1.0A Step-Down Switching Regulator

## TC2575

**Table 2. Diode Selection Guide**

V <sub>R</sub>	Schottky				Ultra-Fast Recovery			
	1.0A		3.0A		1.0A		3.0A	
	SMT	THT	SMT	THT	SNT	THT	SMT	THT
20V	SK12	1N5817 SR102	SK32 MBRD320	1N5820 MBR320 SR302				
30V	MBRS130LT3 SK13	1N5818 SR103 11DQ03	SK33 MBRD330	1N5821 MBR330 SR30 31DQ03	MURS120T3	MUR120 11DF1 HER102	MURS120T3	
40V	MBRS140T3 SK14 10BQ040 10MQ040	1N5819 SR104 11DQ04	MBRS340T3 MBRD340 30WQ04 SK34	1N5822 MBR340 SR304 31DQ04	10BF10		MURD320	MUR320 30WF10 MUR420
50V	MBRS150 10BQ050	MBR150 SR105 11DQ05	MBRD350 SK35 30WQ05	MBR350 SR305 11DQ05			31DF1 HER302	

### EXTERNAL COMPONENTS

#### Input Capacitor ( $C_{IN}$ )

##### The Input Capacitor Should Have a Low ESR

For stable operation of the switch mode converter a low ESR (Equivalent Series Resistance) aluminium or solid tantalum bypass capacitor is needed between the input pin and the ground pin, to prevent large voltage transients from appearing at the input. It must be located near the regulator and use short leads. With most electrolytic capacitors, the capacitance value decreases and the ESR increases with lower temperatures. For reliable operation in temperatures below  $-25^{\circ}\text{C}$  larger values of the input capacitor may be needed. Also paralleling a ceramic or solid tantalum capacitor will increase the regulator stability at cold temperatures.

#### RMS Current Rating of $C_{IN}$

The important parameter of the input capacitor is the RMS current rating. Capacitors that are physically large and have large surface area will typically have higher RMS current ratings. For a given capacitor value, a higher voltage electrolytic capacitor will be physically larger than a lower voltage capacitor, and thus be able to dissipate more heat to the surrounding air, and therefore will have a higher RMS current rating. The consequences of operating an electrolytic capacitor beyond the RMS current rating is a shortened operating life. In order to assure maximum capacitor operating lifetime, the capacitor's RMS ripple current rating should be:

$$I_{RMS} > 1.2 \times d \times I_{LOAD}$$

where  $d$  is the duty cycle, for a buck regulator

$$d = \frac{t_{ON}}{T} = \frac{V_{OUT}}{V_{IN}}$$

and  $d = \frac{t_{ON}}{T} = \frac{|V_{OUT}|}{|V_{OUT}| + V_{IN}}$  for a buck-boost regulator.

#### Output Capacitor ( $C_{OUT}$ )

For low output ripple voltage and good stability, low ESR output capacitors are recommended. An output capacitor has two main functions: it filters the output and provides regulator loop stability. The ESR of the output capacitor and the peak-to-peak value of the inductor ripple current are the main factors contributing to the output ripple voltage value. Standard aluminium electrolytics could be adequate for some applications but for quality design, low ESR types are recommended.

An aluminium electrolytic capacitor's ESR value is related to many factors, such as the capacitance value, the voltage rating, the physical size and the type of construction.

In most cases, the higher voltage electrolytic capacitors have lower ESR value. Often capacitors with much higher voltage ratings may be needed to provide low ESR values, that are required for low output ripple voltage.

##### The Output Capacitor Requires an ESR Value that has an Upper and Lower Limit

As mentioned above, a low ESR value is needed for low output ripple voltage, typically 1% to 2% of the output voltage. But if the selected capacitor's ESR is extremely low (below  $0.05 \Omega$ ), there is a possibility of an unstable feedback loop, resulting in oscillation at the output. This situation can occur when a tantalum capacitor, that can have a very low ESR, is used as the only output capacitor.

##### At Low Temperatures, Put in Parallel Aluminium Electrolytic Capacitors with Tantalum Capacitors

Electrolytic capacitors are not recommended for temperatures below  $-25^{\circ}\text{C}$ . The ESR rises dramatically at cold temperatures and typically rises 3 times at  $-25^{\circ}\text{C}$  and as much as 10 times at  $-40^{\circ}\text{C}$ . Solid tantalum capacitors have much better ESR spec at cold temperatures and are recommended for temperatures below  $-25^{\circ}\text{C}$ . They can be also used in parallel with aluminium electrolytics. The value of the tantalum capacitor should be about 10% or 20% of the total capacitance. The output capacitor should have at least 50% higher RMS ripple current rating at 52kHz than the peak-to-peak inductor ripple current.

#### Catch Diode

##### Locate the Catch Diode Close to the TC2575

The TC2575 is a step-down buck converter, it requires a fast diode to provide a return path for the inductor current when the switch turns off. This diode must be located close to the TC2575 using short leads and short printed circuit traces to avoid EMI problems.

##### Use a Schottky or a Soft Switching Ultra-Fast Recovery Diode

Since the rectifier diodes are very significant source of losses within switching power supplies, choosing the rectifier that best fits into the converter design is an important process. Schottky diodes provide the best performance because of their fast switching speed and low forward voltage drop.

They provide the best efficiency especially in low output voltage applications (5.0 V and lower). Another choice could be Fast-Recovery, or Ultra-Fast Recovery diodes. It has to be noted, that some types of these diodes with an abrupt turnoff characteristic may cause instability or EMI troubles.

A fast-recovery diode with soft recovery characteristics can better fulfill a quality, low noise design requirements.

## TC2575

Table 4 provides a list of suitable diodes for the TC2575 regulator. Standard 50/60Hz rectifier diodes, such as the 1N4001 series or 1N5400 series are NOT suitable.

### Inductor

The magnetic components are the cornerstone of all switching power supply designs. The style of the core and the winding technique used in the magnetic component's design have a great influence on the reliability of the overall power supply.

Using an improper or poorly designed inductor can cause high voltage spikes generated by the rate of transitions in current within the switching power supply, and the possibility of core saturation can arise during an abnormal operational mode. Voltage spikes can cause the semiconductors to enter avalanche breakdown and the part can instantly fail if enough energy is applied. It can also cause significant RFI (Radio Frequency Interference) and EMI (Electro-Magnetic Interference) problems.

### Continuous and Discontinuous Mode of Operation.

The TC2575 step-down converter can operate in both the continuous and the discontinuous modes of operation. The regulator works in the continuous mode when loads are relatively heavy, the current flows through the inductor continuously and never falls to zero. Under light load conditions, the circuit will be forced to the discontinuous mode when inductor current falls to zero for certain period of time (see Figure 5 and Figure 6). Each mode has distinctively different operating characteristics, which can affect the regulator performance and requirements. In many cases the preferred mode of operation is the continuous mode. It offers greater output power, lower peak currents in the switch, inductor and diode, and can have a lower output ripple voltage. On the other hand it does require larger inductor

values to keep the inductor current flowing continuously, especially at low output load currents and/or high input voltages.

To simplify the inductor selection process, an inductor selection guide for the TC2575 regulator was added to this data sheet (Figures 32 through 36). This guide assumes that the regulator is operating in the continuous mode, and selects an inductor that will allow a peak-to-peak inductor ripple current to be a certain percentage of the maximum design load current. This percentage is allowed to change as different design load currents are selected. For light loads (less than approximately 200mA) it may be desirable to operate the regulator in the discontinuous mode, because the inductor value and size can be kept relatively low. Consequently, the percentage of inductor peak-to-peak current increases. This discontinuous mode of operation is perfectly acceptable for this type of switching converter. Any buck regulator will be forced to enter discontinuous mode if the load current is light enough.

### Selecting the Right Inductor Style

Some important considerations when selecting a core type are core material, cost, the output power of the power supply, the physical volume the inductor must fit within, and the amount of EMI (Electro-Magnetic Interference) shielding that the core must provide. The inductor selection guide covers different styles of inductors such as pot core, E-core, toroid and bobbin core, as well as different core materials such as ferrites and powdered iron from different manufacturers.

For high quality design regulators the toroid core seems to be the best choice. Since the magnetic flux is contained within the core, it generates less EMI, reducing noise problems in sensitive circuits. The least expensive is the bobbin core type, which consists of wire wound on a ferrite rod core.

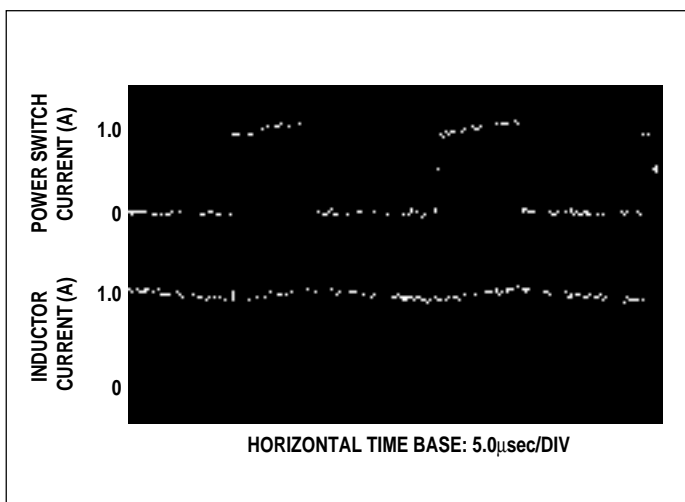


Figure 5. Continuous Mode Switching Current Waveforms

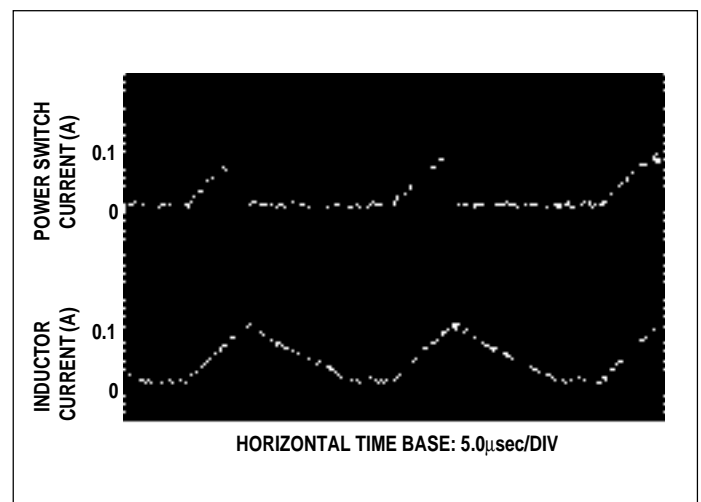


Figure 6. Discontinuous Mode Switching Current Waveforms

## 1.0A Step-Down Switching Regulator

TC2575

This type of inductor generates more EMI due to the fact that its core is open, and the magnetic flux is not contained within the core.

When multiple switching regulators are located on the same printed circuit board, open core magnetics can cause interference between two or more of the regulator circuits, especially at high currents due to mutual coupling. A toroid, pot core or E-core (closed magnetic structure) should be used in such applications.

### Do Not Operate an Inductor Beyond its Maximum Rated Current

Exceeding an inductor's maximum current rating may cause the inductor to overheat because of the copper wire losses, or the core may saturate. Core saturation occurs when the flux density is too high and consequently the cross sectional area of the core can no longer support additional lines of magnetic flux.

This causes the permeability of the core to drop, the inductance value decreases rapidly and the inductor begins to look mainly resistive. It has only the DC resistance of the winding. This can cause the switch current to rise very rapidly and force the TC2575 internal switch into cycle-by-cycle current limit, thus reducing the DC output load current. This can also result in overheating of the inductor and/or the TC2575. Different inductor types have different saturation characteristics, and this should be kept in mind when selecting an inductor.

## GENERAL RECOMMENDATIONS

### Output Voltage Ripple and Transients Source of the Output Ripple

Since the TC2575 is a switch mode power supply regulator, its output voltage, if left unfiltered, will contain a sawtooth ripple voltage at the switching frequency. The output ripple voltage value ranges from 0.5% to 3% of the output voltage. It is caused mainly by the inductor sawtooth ripple current multiplied by the ESR of the output capacitor.

### Short Voltage Spikes and How to Reduce Them

The regulator output voltage may also contain short voltage spikes at the peaks of the sawtooth waveform (see Figure 7). These voltage spikes are present because of the fast switching action of the output switch, and the parasitic inductance of the output filter capacitor. There are some other important factors such as wiring inductance, stray capacitance, as well as the scope probe used to evaluate these transients, all these contribute to the amplitude of these spikes. To minimize these voltage spikes, low inductance capacitors should be used, and their lead lengths

must be kept short. The importance of quality printed circuit board layout design should also be highlighted.

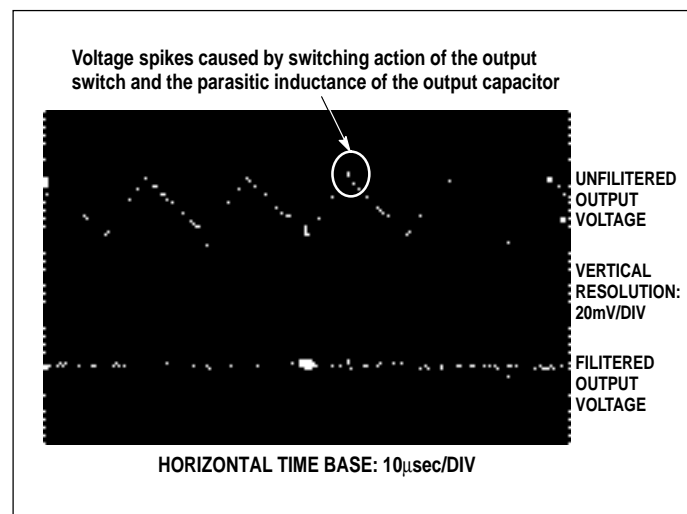


Figure 7. Output Ripple Voltage Waveforms

### Minimizing the Output Ripple

In order to minimize the output ripple voltage it is possible to enlarge the inductance value of the inductor L1 and/or to use a larger value output capacitor. There is also another way to smooth the output by means of an additional LC filter (20µH, 100µF), that can be added to the output (see Figure 16) to further reduce the amount of output ripple and transients.

With such a filter it is possible to reduce the output ripple voltage transients 10 times or more. Figure 7 shows the difference between filtered and unfiltered output waveforms of the regulator shown in Figure 16.

The upper waveform is from the normal unfiltered output of the converter, while the lower waveform shows the output ripple voltage filtered by an additional LC filter.

## Heatsinking and Thermal Considerations

### The Through-Hole-Package TO-220

The TC2575 is available in a 5-Pin TO-220 package. There are many applications that require no heatsink to keep the TC2575 junction temperature within the allowed operating range. The TO-220 package can be used without a heatsink for ambient temperatures up to approximately 50°C (depending on the output voltage and load current). Higher ambient temperatures require some heat sinking, either to the printed circuit (PC) board or an external heatsink.

## TC2575

### Thermal Analysis and Design

The following procedure must be performed to determine whether or not a heatsink will be required. First determine:

1.  $P_{D(max)}$  – maximum regulator power dissipation in the application.
2.  $T_A(max)$  – maximum ambient temperature in the application.
3.  $T_J(max)$  – maximum allowed junction temperature (125°C for the TC2575). For a conservative design, the maximum junction temperature should not exceed 110°C to assure safe operation. For every additional 10°C temperature rise that the junction must withstand, the estimated operating lifetime of the component is halved.
4.  $\Theta_{JC}$  – package thermal resistance junction–case.
5.  $\Theta_{JA}$  – package thermal resistance junction–ambient.

(Refer to Absolute Maximum Ratings on this data sheet or  $\Theta_{JC}$  and  $\Theta_{JA}$  values).

The following formula is to calculate the approximate total power dissipated by the TC2575:

$$P_D = (V_{IN} \times I_Q) + d \times I_{LOAD} \times V_{SAT}$$

where  $d$  is the duty cycle and for buck converter

$$d = \frac{t_{ON}}{T} = \frac{V_{OUT}}{V_{IN}}$$

$I_Q$  (quiescent current) and  $V_{SAT}$  can be found in the TC2575 data sheet,

$V_{IN}$  is minimum input voltage applied,  
 $V_{OUT}$  is the regulator output voltage,  
 $I_{LOAD}$  is the load current.

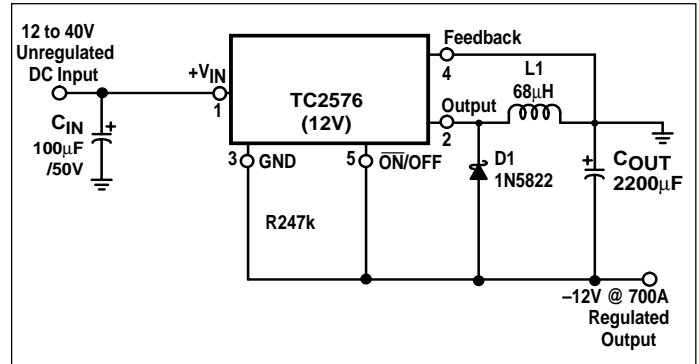


Figure 8. Inverting Buck-Boost Regulator Using the TC2575 (12V) Develops -12V @ 0.35A

The dynamic switching losses during turn–on and turn–off can be neglected if a proper type catch diode is used.

### Packages (Free–Standing)

For a free–standing application when no heatsink is used, the junction temperature can be determined by the following expression:

$$T_J = (\Theta_{JA}) (P_D) + T_A$$

where  $(\Theta_{JA}) (P_D)$  represents the junction temperature rise caused by the dissipated power and  $T_A$  is the maximum ambient temperature.

### Some Aspects That can Influence Thermal Design

It should be noted that the package thermal resistance and the junction temperature rise numbers are all approximate, and there are many factors that will affect these numbers, such as PC board size, shape, thickness, physical position, location, board temperature, as well as whether the surrounding air is moving or still.

Other factors are trace width, total printed circuit copper area, copper thickness, single– or double–sided, multilayer board, the amount of solder on the board or even color of the traces.

The size, quantity and spacing of other components on the board can also influence its effectiveness to dissipate the heat.



# 1.0A Step-Down Switching Regulator

## ADDITIONAL APPLICATIONS

### Inverting Regulator

An inverting buck–boost regulator using the TC2575 (12V) is shown in Figure 8. This circuit converts a positive input voltage to a negative output voltage with a common ground by bootstrapping the regulators ground to the negative output voltage. By grounding the feedback pin, the regulator senses the inverted output voltage and regulates it.

In this example the TC2575 (12V) is used to generate a 12V output. The maximum input voltage in this case cannot exceed 28V because the maximum voltage appearing across the regulator is the absolute sum of the input and output voltages and this must be limited to a maximum of 40V.

This circuit configuration is able to deliver approximately 0.35A to the output when the input voltage is 12V or higher. At lighter loads the minimum input voltage required drops to approximately 4.7V, because the buck–boost regulator topology can produce an output voltage that, in its absolute value, is either greater or less than the input voltage.

Since the switch currents in this buck–boost configuration are higher than in the standard buck converter topology, the available output current is lower.

This type of buck–boost inverting regulator can also require a larger amount of startup input current, even for light loads. This may overload an input power source with a current limit less than 1.5A.

Such an amount of input start-up current is needed for at least 2.0msec or more. The actual time depends on the output voltage and size of the output capacitor.

Because of the relatively high startup currents required by this inverting regulator topology, the use of a delayed startup or an undervoltage lockout circuit is recommended.

Using a delayed startup arrangement, the input capacitor can charge up to a higher voltage before the switch–mode regulator begins to operate.

The high input current needed for startup is now partially supplied by the input capacitor  $C_{IN}$ .

### Design Recommendations:

The inverting regulator operates in a different manner than the buck converter and so a different design procedure has to be used to select the inductor L1 or the output capacitor  $C_{OUT}$ .

The output capacitor values must be larger than what is normally required for buck converter designs. Low input voltages or high output currents require a large value output capacitor (in the range of thousands of  $\mu\text{F}$ ).

The recommended range of inductor values for the inverting converter design is between 68 $\mu\text{H}$  and 220  $\mu\text{H}$ . To

select an inductor with an appropriate current rating, the inductor peak current has to be calculated.

The following formula is used to obtain the peak inductor current:

$$I_{PEAK} \approx \frac{I_{LOAD} (V_{IN} - |V_{OUT}|)}{V_{IN}} + \frac{V_{IN} \times t_{ON}}{2L_1}$$

where  $t_{ON} \approx \frac{|V_{OUT}|}{V_{IN} + |V_{OUT}|} \times \frac{1.0}{f_{OSC}}$ , and  $f_{OSC} = 52\text{kHz}$ .

Under normal continuous inductor current operating conditions, the worst case occurs when  $V_{IN}$  is minimal.

Note that the voltage appearing across the regulator is the absolute sum of the input and output voltage, and must not exceed 40V.

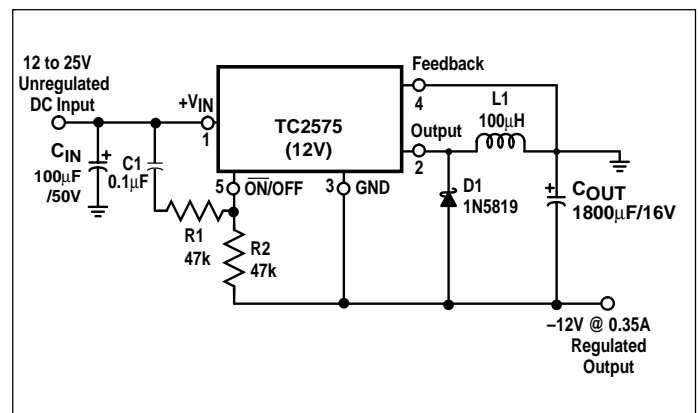


Figure 9. Inverting Buck-Boost Regulator with Delayed Startup

It has been already mentioned above, that in some situations, the delayed startup or the undervoltage lockout features could be very useful. A delayed startup circuit applied to a buck–boost converter is shown in Figure 9. Figure 15 in the "Undervoltage Lockout" section describes an undervoltage lockout feature for the same converter topology.

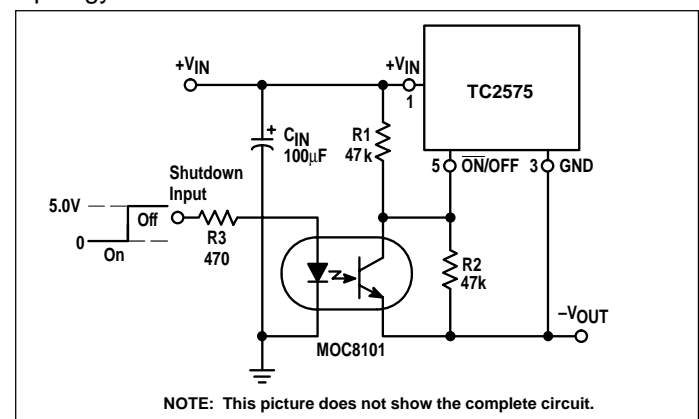


Figure 10. Inverting Buck-Boost Regulator Shutdown Circuit Using an Optocoupler

## TC2575

With the inverting configuration, the use of the  $\overline{\text{ON}}/\text{OFF}$  pin requires some level shifting techniques. This is caused by the fact, that the ground pin of the converter IC is no longer at ground. Now, the  $\overline{\text{ON}}/\text{OFF}$  pin threshold voltage (1.4V approximately) has to be related to the negative output voltage level. There are many different possible shutdown methods, two of them are shown in Figures 10 and 11.

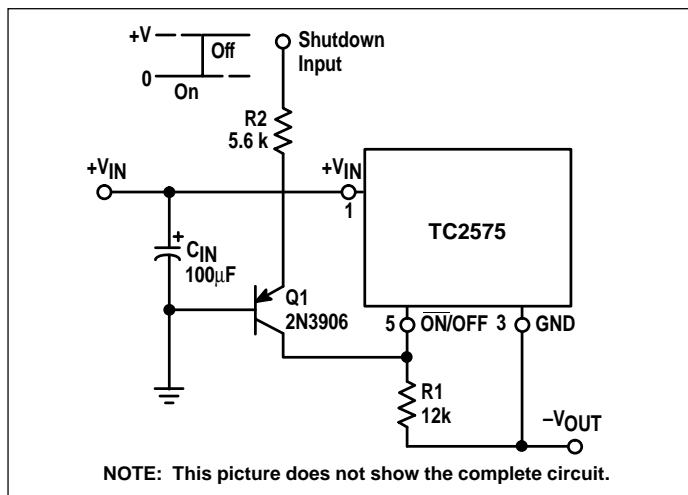


Figure 11. Inverting Buck-Boost Regulator Shutdown Circuit Using a PNP Transistor

## Negative Boost Regulator

This example is a variation of the buck–boost topology and it is called negative boost regulator. This regulator experiences relatively high switch current, especially at low input voltages. The internal switch current limiting results in lower output load current capability.

The circuit in Figure 12 shows the negative boost configuration. The input voltage in this application ranges from  $-5.0$  to  $-12\text{V}$  and provides a regulated  $-12\text{V}$  output. If the input voltage is greater than  $-12\text{V}$ , the output will rise above  $-12\text{V}$  accordingly, but will not damage the regulator.

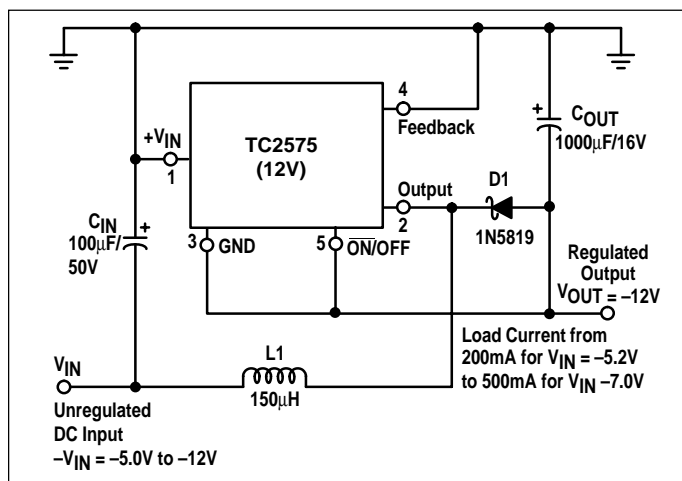


Figure 12. Negative Boost Regulator

## Design Recommendations

The same design rules as for the previous inverting buck–boost converter can be applied. The output capacitor  $C_{\text{OUT}}$  must be chosen larger than what would be required for a standard buck converter. Low input voltages or high output currents require a large value output capacitor (in the range of thousands of  $\mu\text{F}$ ). The recommended range of inductor values for the negative boost regulator is the same as for inverting converter design.

Another important point is that these negative boost converters cannot provide any current limiting load protection in the event of a short in the output so some other means, such as a fuse, may be necessary to provide the load protection.

## Delayed Startup

There are some applications, like the inverting regulator already mentioned above, which require a higher amount of start-up current. In such cases, if the input power source is limited, this delayed start-up feature becomes very useful.

To provide a time delay between the time when the input voltage is applied and the time when the output voltage comes up, the circuit in Figure 13 can be used. As the input voltage is applied, the capacitor  $C_1$  charges up, and the voltage across the resistor  $R_2$  falls down. When the voltage on the  $\overline{\text{ON}}/\text{OFF}$  pin falls below the threshold value 1.4 V, the regulator starts up. Resistor  $R_1$  is included to limit the maximum voltage applied to the  $\overline{\text{ON}}/\text{OFF}$  pin. It reduces the power supply noise sensitivity, and also limits the capacitor  $C_1$  discharge current, but its use is not mandatory.

When a high 50Hz or 60Hz (100Hz or 120Hz respectively) ripple voltage exists, a long delay time can cause some problems by coupling the ripple into the  $\overline{\text{ON}}/\text{OFF}$  pin, the regulator could be switched periodically on and off with the line (or double) frequency.

# 1.0A Step-Down Switching Regulator

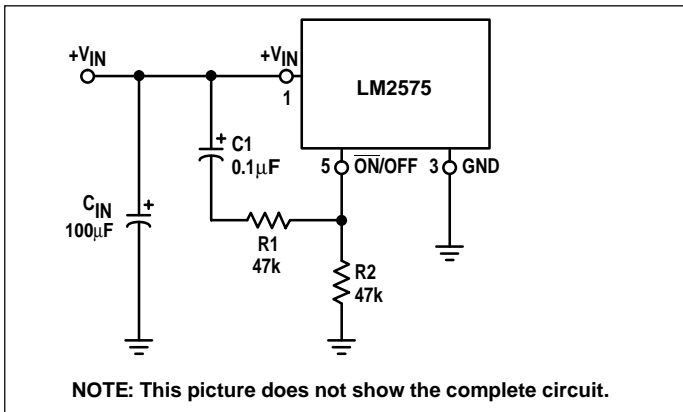


Figure 13. Delayed Startup Circuitry

## Undervoltage Lockout

Some applications require the regulator to remain off until the input voltage reaches a certain threshold level. Figure 14 shows an undervoltage lockout circuit applied to a buck regulator. A version of this circuit for buck-boost converter is shown in Figure 14. Resistor R3 pulls the ON/OFF pin high and keeps the regulator off until the input voltage reaches a predetermined threshold level, with respect to the ground Pin 3, which is determined by the following expression:

$$V_{TH} \approx V_{Z1} + \left(1.0 + \frac{R2}{R1}\right) V_{BE} (Q1)$$

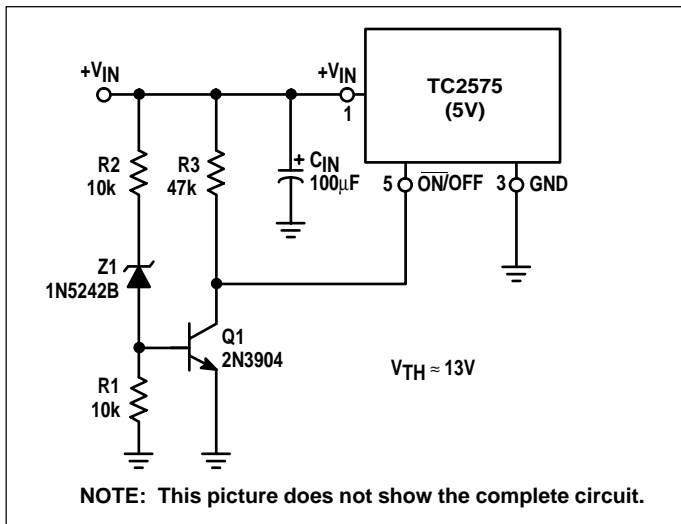


Figure 14. Undervoltage Lockout Circuit for Buck Converter

## Adjustable Output, Low-Ripple Power Supply

A 1.0A output current capability power supply that features an adjustable output voltage is shown in Figure 16. This regulator delivers 1.0A into 1.2 to 35V output. The input voltage ranges from roughly 8.0 to 40V. In order to achieve a 10 or more times reduction of output ripple, an additional L-C filter is included in this circuit.

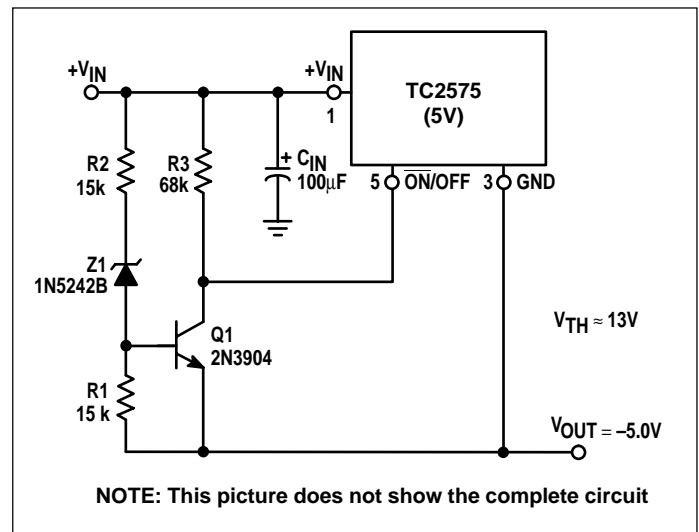


Figure 15. Undervoltage Lockout Circuit for Buck-Boost Converter

# 1.0A Step-Down Switching Regulator

## TC2575

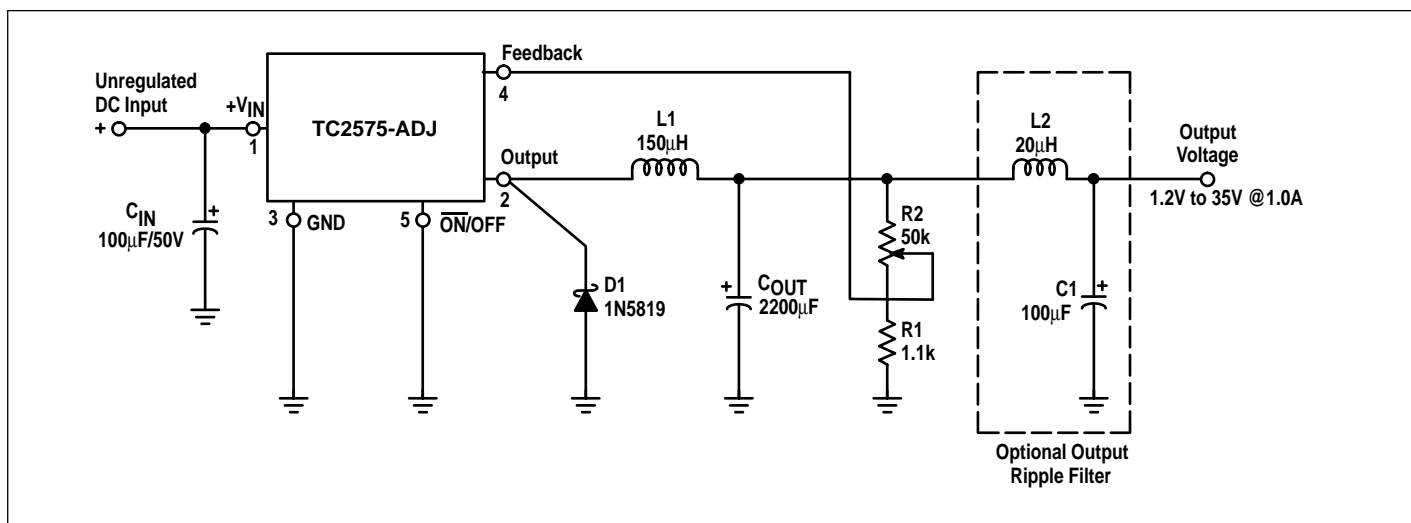


Figure 16. Adjustable Power Supply with Low Ripple Voltage

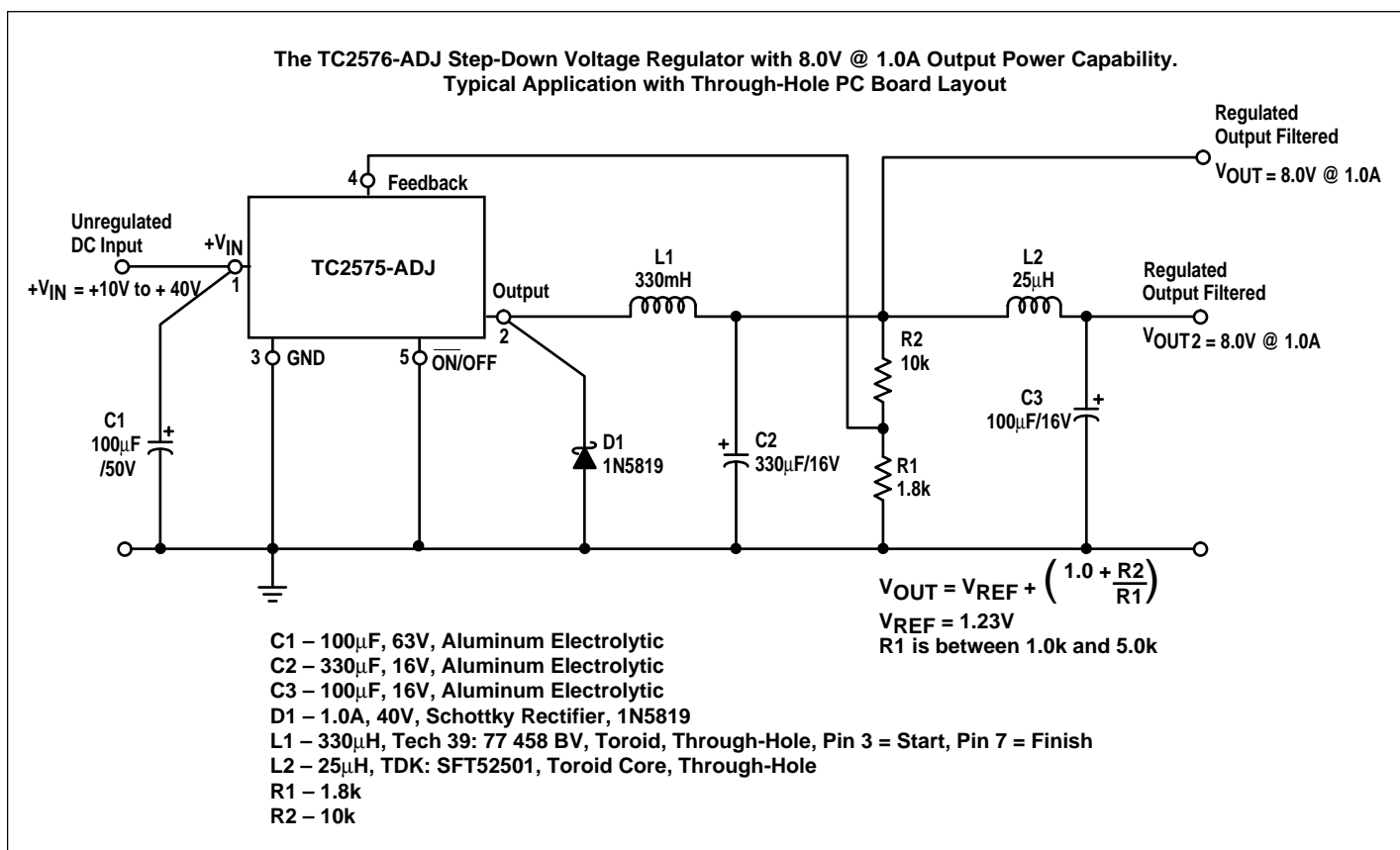
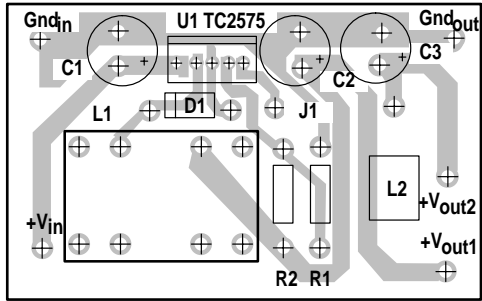


Figure 17. Schematic Diagram of the 8.0V at 1.0A Step-Down Converter Using the TC2575-ADJ

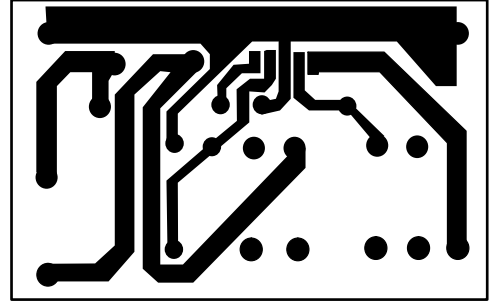
# 1.0A Step-Down Switching Regulator

TC2575



NOTE: Not to scale.

Figure 18. PC Board Component Side



NOTE: Not to scale

Figure 19. PC Board Copper Side

TC2575

## TYPICAL CHARACTERISTICS (Circuit of Figure 2)

Figure 20. Normalized Output Voltage

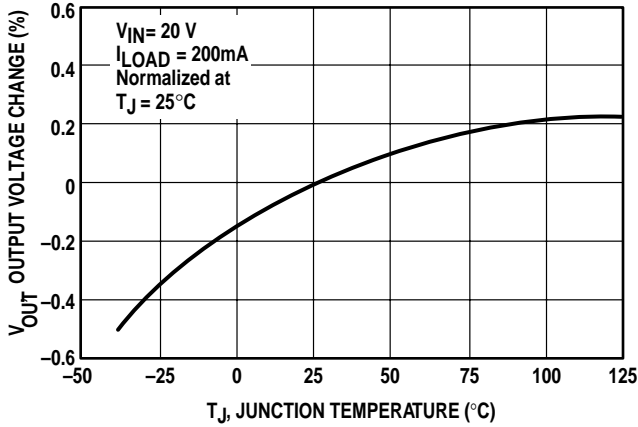


Figure 21. Line Regulation

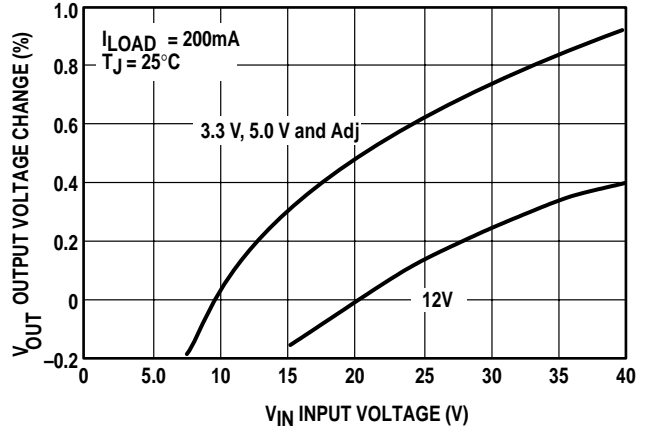


Figure 22 Switch Saturation Voltage

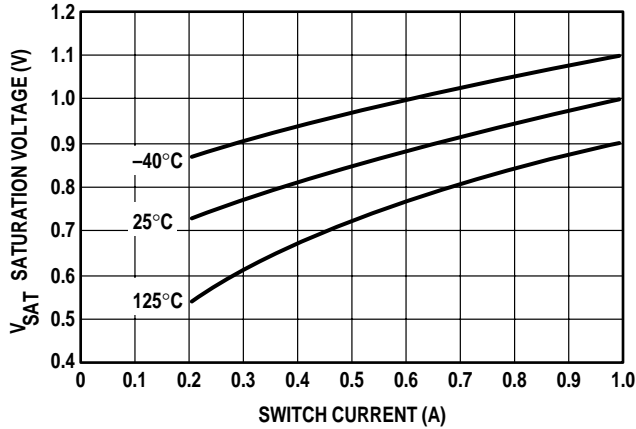


Figure 23. Current Limit

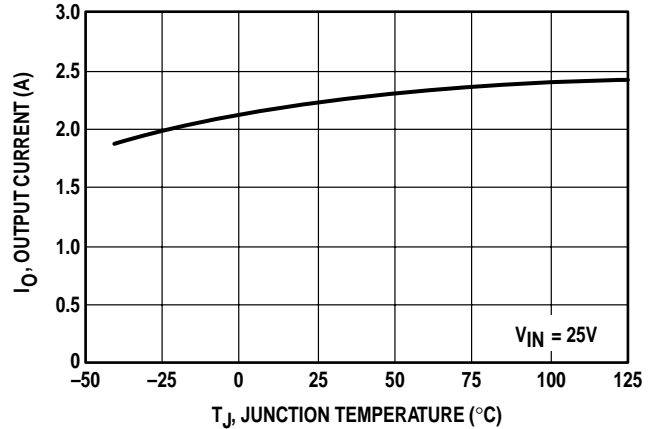


Figure 24. Dropout Voltage

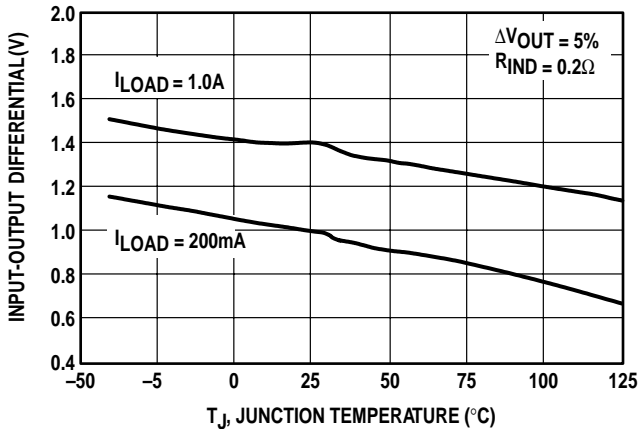
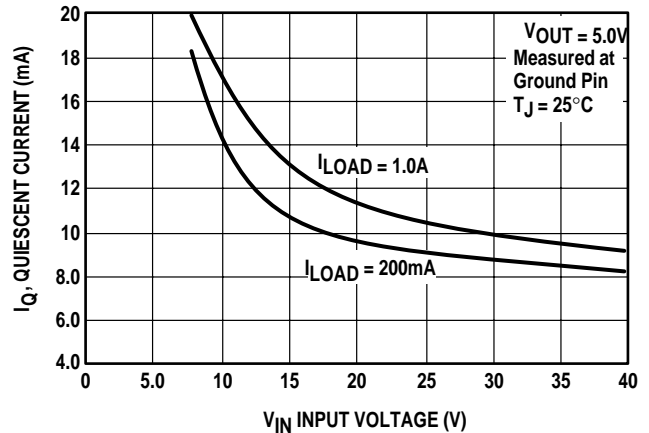


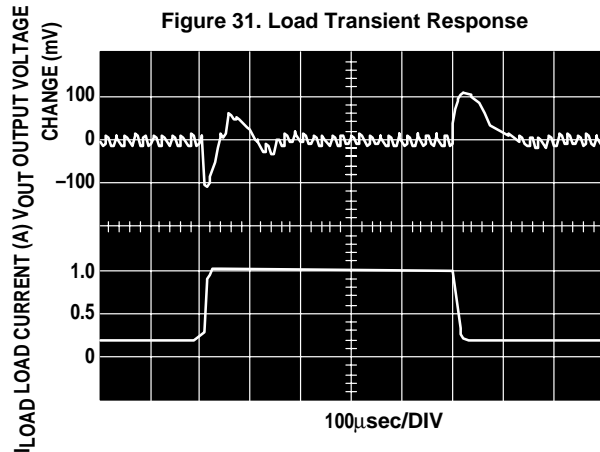
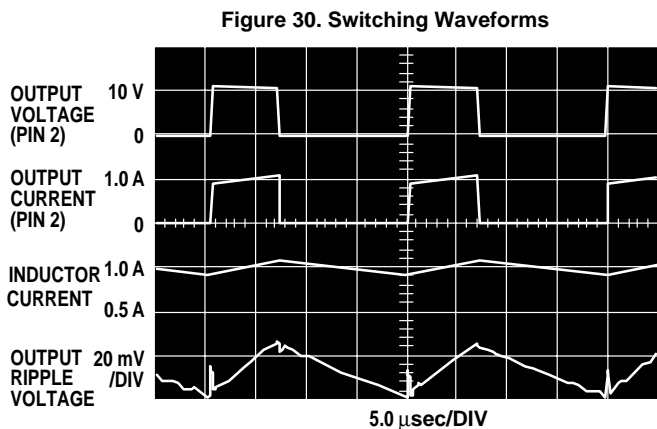
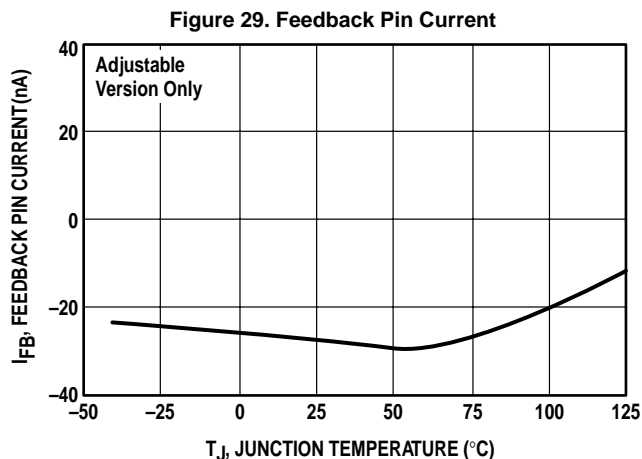
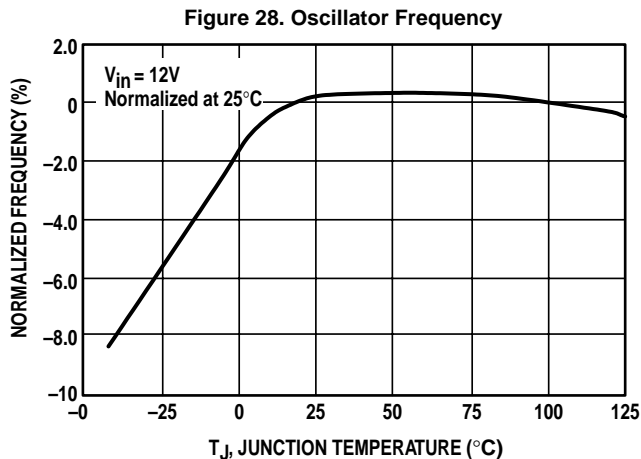
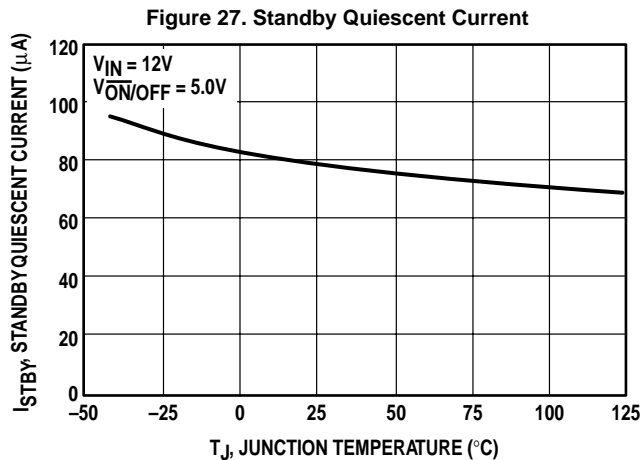
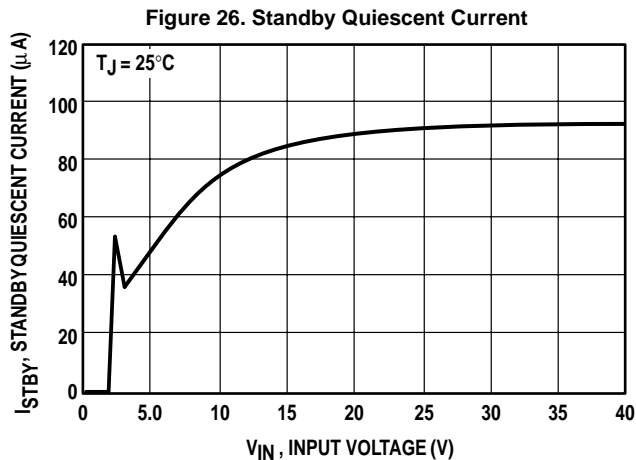
Figure 25. Quiescent Current



# 1.0A Step-Down Switching Regulator

TC2575

## TYPICAL CHARACTERISTICS (Circuit of Figure 2 Cont.)



# 1.0A Step-Down Switching Regulator

## TC2575

### TYPICAL CHARACTERISTICS (Circuit of Figure 2 Cont.)

Figure 32. TC2575 ( $V_{OUT} = 3.3V$ )

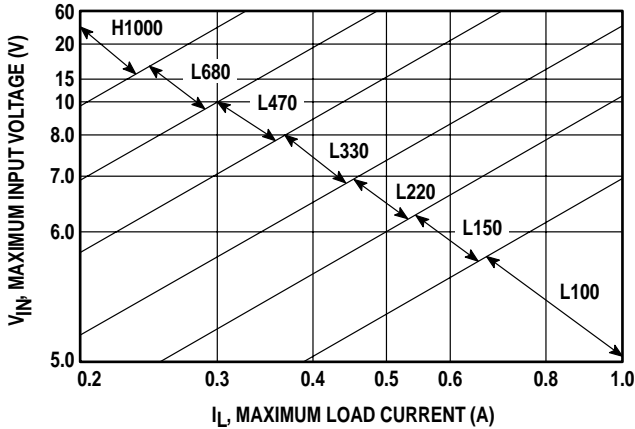


Figure 33. TC2575 ( $V_{OUT} = 5.0V$ )

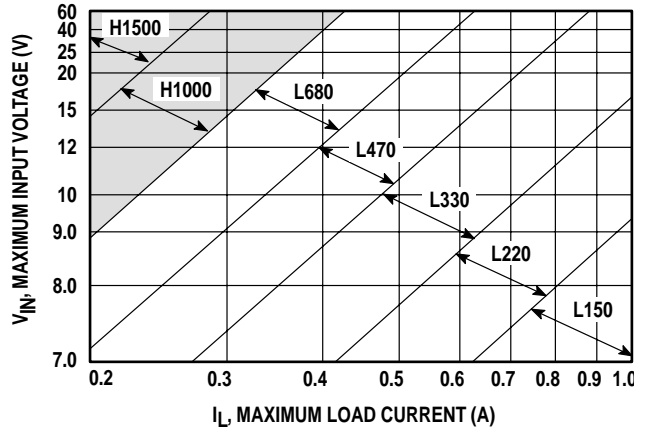


Figure 34. TC2575 ( $V_{OUT} = 12.0V$ )

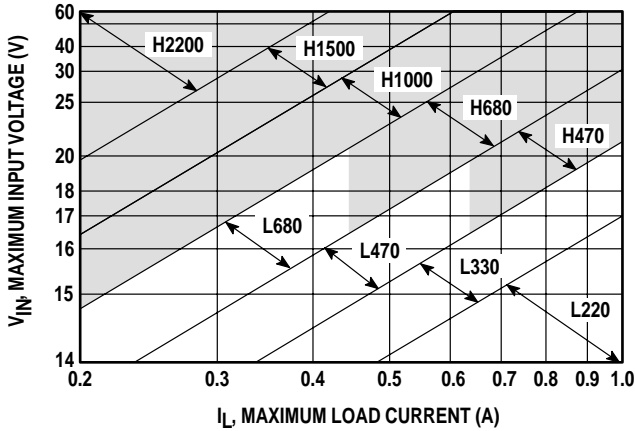
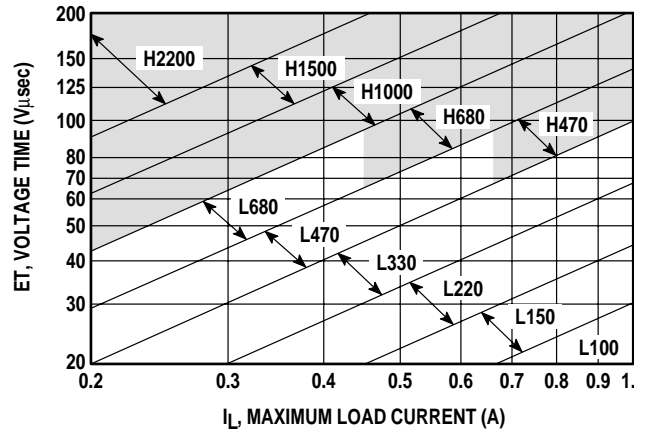


Figure 35. TC2575-Adj



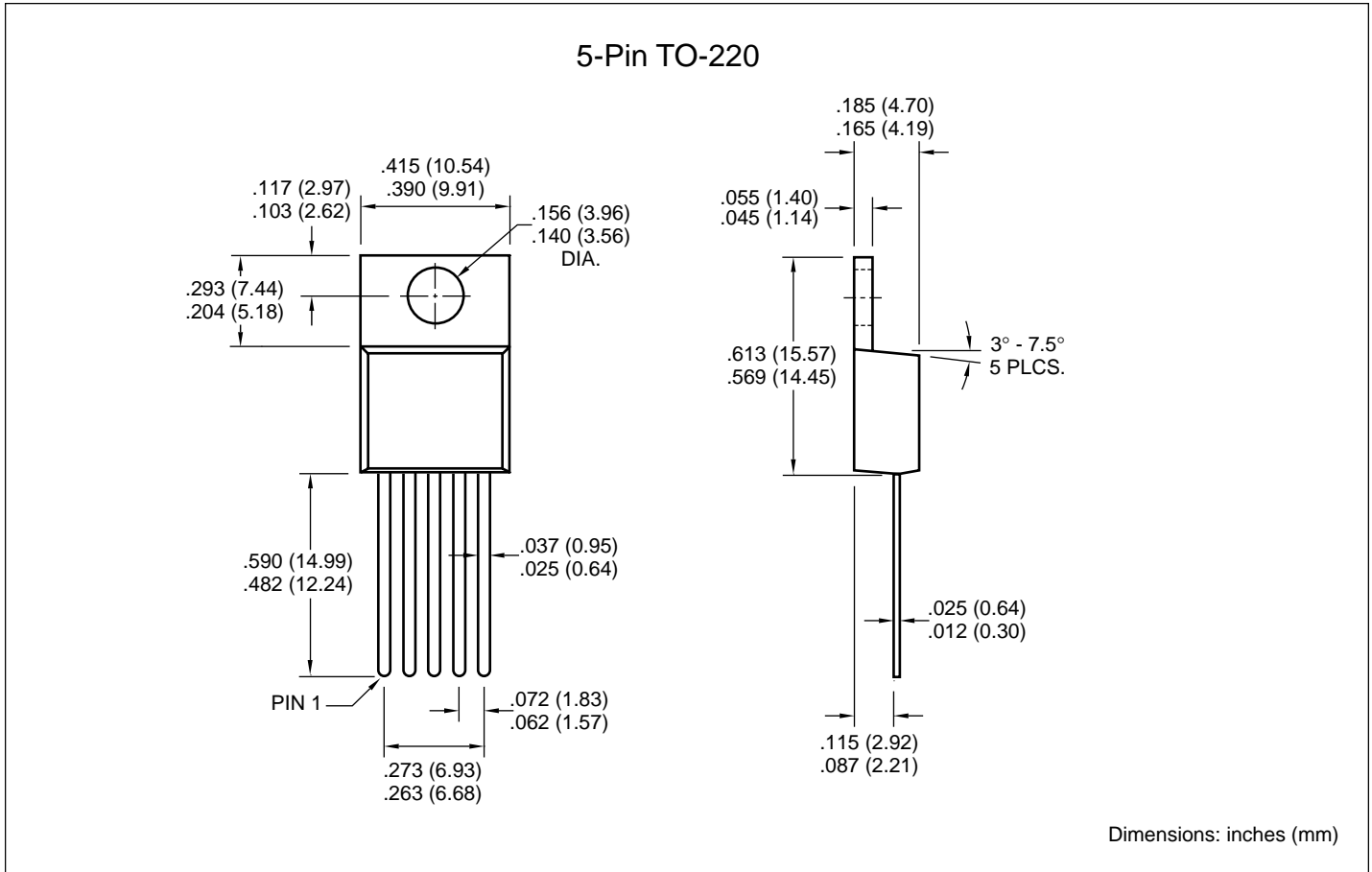
Note: This inductor Value Selection Guide is applicable for continuous mo



# 1.0A Step-Down Switching Regulator

TC2575

## PACKAGE DIMENSIONS





## WORLDWIDE SALES AND SERVICE

### AMERICAS

#### Corporate Office

2355 West Chandler Blvd.  
Chandler, AZ 85224-6199  
Tel: 480-792-7200 Fax: 480-792-7277  
Technical Support: 480-792-7627  
Web Address: <http://www.microchip.com>

#### Rocky Mountain

2355 West Chandler Blvd.  
Chandler, AZ 85224-6199  
Tel: 480-792-7966 Fax: 480-792-7456

#### Atlanta

500 Sugar Mill Road, Suite 200B  
Atlanta, GA 30350  
Tel: 770-640-0034 Fax: 770-640-0307

#### Austin

Analog Product Sales  
8303 MoPac Expressway North  
Suite A-201  
Austin, TX 78759  
Tel: 512-345-2030 Fax: 512-345-6085

#### Boston

2 Lan Drive, Suite 120  
Westford, MA 01886  
Tel: 978-692-3848 Fax: 978-692-3821

#### Boston

Analog Product Sales  
Unit A-8-1 Millbrook Tarry Condominium  
97 Lowell Road  
Concord, MA 01742  
Tel: 978-371-6400 Fax: 978-371-0050

#### Chicago

333 Pierce Road, Suite 180  
Itasca, IL 60143  
Tel: 630-285-0071 Fax: 630-285-0075

#### Dallas

4570 Westgrove Drive, Suite 160  
Addison, TX 75001  
Tel: 972-818-7423 Fax: 972-818-2924

#### Dayton

Two Prestige Place, Suite 130  
Miamisburg, OH 45342  
Tel: 937-291-1654 Fax: 937-291-9175

#### Detroit

Tri-Atria Office Building  
32255 Northwestern Highway, Suite 190  
Farmington Hills, MI 48334  
Tel: 248-538-2250 Fax: 248-538-2260

#### Los Angeles

18201 Von Karman, Suite 1090  
Irvine, CA 92612  
Tel: 949-263-1888 Fax: 949-263-1338

#### Mountain View

Analog Product Sales  
1300 Terra Bella Avenue  
Mountain View, CA 94043-1836  
Tel: 650-968-9241 Fax: 650-967-1590

#### New York

150 Motor Parkway, Suite 202  
Hauppauge, NY 11788  
Tel: 631-273-5305 Fax: 631-273-5335

#### San Jose

Microchip Technology Inc.  
2107 North First Street, Suite 590  
San Jose, CA 95131  
Tel: 408-436-7950 Fax: 408-436-7955

#### Toronto

6285 Northam Drive, Suite 108  
Mississauga, Ontario L4V 1X5, Canada  
Tel: 905-673-0699 Fax: 905-673-6509

### ASIA/PACIFIC

#### China - Beijing

Microchip Technology Beijing Office  
Unit 915  
New China Hong Kong Manhattan Bldg.  
No. 6 Chaoyangmen Beidajie  
Beijing, 100027, No. China  
Tel: 86-10-85282100 Fax: 86-10-85282104

#### China - Shanghai

Microchip Technology Shanghai Office  
Room 701, Bldg. B  
Far East International Plaza  
No. 317 Xian Xia Road  
Shanghai, 200051  
Tel: 86-21-6275-5700 Fax: 86-21-6275-5060

#### Hong Kong

Microchip Asia Pacific  
RM 2101, Tower 2, Metroplaza  
223 Hing Fong Road  
Kwai Fong, N.T., Hong Kong  
Tel: 852-2401-1200 Fax: 852-2401-3431

#### India

Microchip Technology Inc.  
India Liaison Office  
Divyasree Chambers  
1 Floor, Wing A (A3/A4)  
No. 11, OIShaughnessey Road  
Bangalore, 560 025, India  
Tel: 91-80-2290061 Fax: 91-80-2290062

#### Japan

Microchip Technology Intl. Inc.  
Benex S-1 6F  
3-18-20, Shinyokohama  
Kohoku-Ku, Yokohama-shi  
Kanagawa, 222-0033, Japan  
Tel: 81-45-471- 6166 Fax: 81-45-471-6122

#### Korea

Microchip Technology Korea  
168-1, Youngbo Bldg. 3 Floor  
Samsung-Dong, Kangnam-Ku  
Seoul, Korea  
Tel: 82-2-554-7200 Fax: 82-2-558-5934

### ASIA/PACIFIC (continued)

#### Singapore

Microchip Technology Singapore Pte Ltd.  
200 Middle Road  
#07-02 Prime Centre  
Singapore, 188980  
Tel: 65-334-8870 Fax: 65-334-8850

#### Taiwan

Microchip Technology Taiwan  
11F-3, No. 207  
Tung Hua North Road  
Taipei, 105, Taiwan  
Tel: 886-2-2717-7175 Fax: 886-2-2545-0139

### EUROPE

#### Australia

Microchip Technology Australia Pty Ltd  
Suite 22, 41 Rawson Street  
Epping 2121, NSW  
Australia  
Tel: 61-2-9868-6733 Fax: 61-2-9868-6755

#### Denmark

Microchip Technology Denmark ApS  
Regus Business Centre  
Lautrup høj 1-3  
Ballerup DK-2750 Denmark  
Tel: 45 4420 9895 Fax: 45 4420 9910

#### France

Arizona Microchip Technology SARL  
Parc d'Activite du Moulin de Massy  
43 Rue du Saule Trapu  
Batiment A - 1er Etage  
91300 Massy, France  
Tel: 33-1-69-53-63-20 Fax: 33-1-69-30-90-79

#### Germany

Arizona Microchip Technology GmbH  
Gustav-Heinemann Ring 125  
D-81739 Munich, Germany  
Tel: 49-89-627-144 0 Fax: 49-89-627-144-44

#### Germany

Analog Product Sales  
Lochhamer Strasse 13  
D-82152 Martinsried, Germany  
Tel: 49-89-895650-0 Fax: 49-89-895650-22

#### Italy

Arizona Microchip Technology SRL  
Centro Direzionale Colleoni  
Palazzo Taurus 1 V. Le Colleoni 1  
20041 Agrate Brianza  
Milan, Italy  
Tel: 39-039-65791-1 Fax: 39-039-6899883

#### United Kingdom

Arizona Microchip Technology Ltd.  
505 Eskdale Road  
Winnersh Triangle  
Wokingham  
Berkshire, England RG41 5TU  
Tel: 44 118 921 5869 Fax: 44-118 921-5820

All rights reserved. © 2001 Microchip Technology Incorporated. Printed in the USA. 1/01  Printed on recycled paper.

01/09/01

Information contained in this publication regarding device applications and the like is intended through suggestion only and may be superseded by updates. It is your responsibility to ensure that your application meets with your specifications. No representation or warranty is given and no liability is assumed by Microchip Technology Incorporated with respect to the accuracy or use of such information, or infringement of patents or other intellectual property rights arising from such use or otherwise. Use of Microchip's products as critical components in life support systems is not authorized except with express written approval by Microchip. No licenses are conveyed, implicitly or otherwise, except as maybe explicitly expressed herein, under any intellectual property rights. The Microchip logo and name are registered trademarks of Microchip Technology Inc. in the U.S.A. and other countries. All rights reserved. All other trademarks mentioned herein are the property of their respective companies.