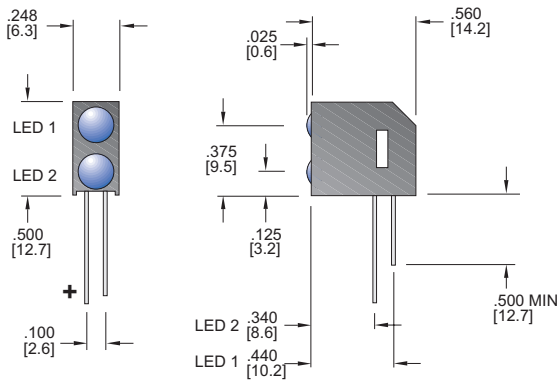
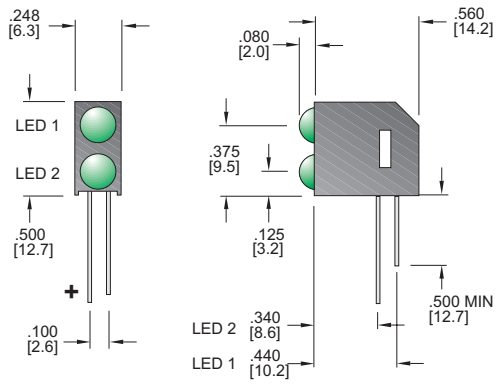


# BILEVEL T1<sup>3</sup>/<sub>4</sub> (5mm) LEDs

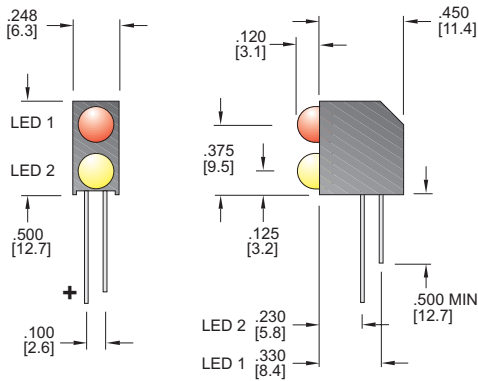
### 21PCS190



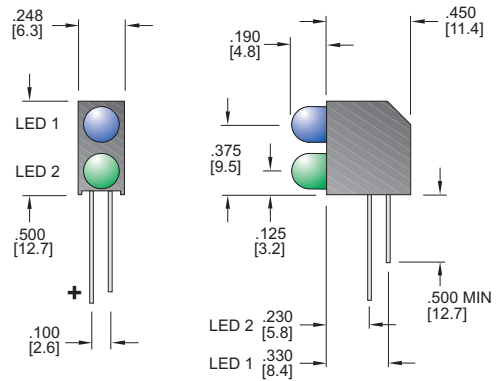
### 21PCS200



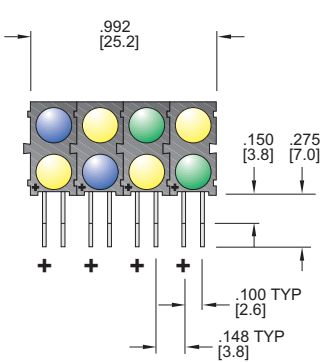
### 21PCT190



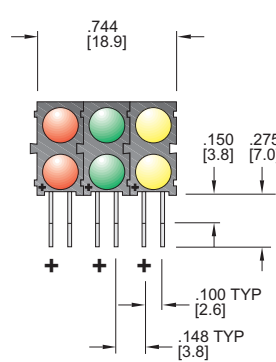
### 21PCT200



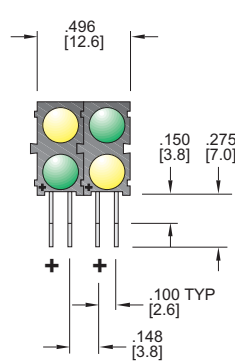
### 24PCT200-SI



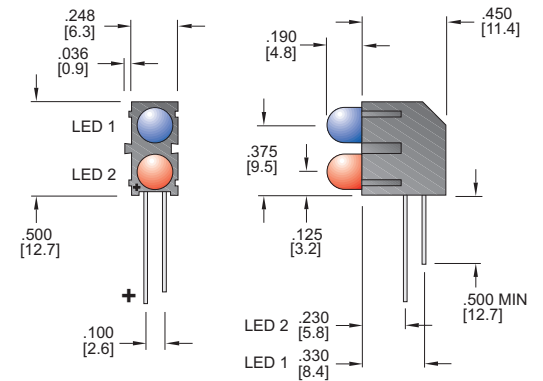
### 23PCT200-SI



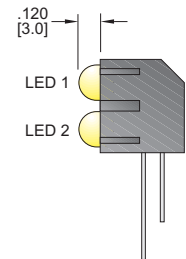
### 22PCT200-SI



### 21PCT200-SI

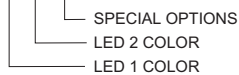


### 21PCT190-SI



SAMPLE PART NUMBER:

**22PCT200T4-X/X-SI**



| CODE | COLOR  | mA    | Vf      | Iv mcd |
|------|--------|-------|---------|--------|
| R    | RED    | 20/30 | 2.0/2.8 | 12/38  |
| Y    | YELLOW | 20/30 | 2.1/2.8 | 8/25   |
| G    | GREEN  | 20/30 | 2.2/2.8 | 8/25   |
| B    | BLUE   | 20/30 | 3.2/3.7 | 4/8    |

## SPECIALS

- ALL "Vf" READINGS ARE TYP/MAX
- ALL "mcd" READINGS ARE MIN/TYP
- 5V = 5 VOLT INTEGRATED RESISTOR
- LC = LOW CURRENT 2mA LEDs
- X = DENOTES BLANK LED SPACE
- CONSULT FACTORY ON PART NUMBERS FOR ARRAYS WITH NONCONSECUTIVE COLORS