

TOSHIBA CMOS DIGITAL INTEGRATED CIRCUIT SILICON MONOLITHIC

# T7987A, JT7987AY-CS

## T7987A, JT7987AY-CS SINGLE-CHIP CMOS LSI FOR LCD CALCULATORS

The T7987A, JT7987AY-CS is single-chip microcomputer for 10-digit + 2-digit scientific calculation.

T7987A, JT7987AY-CS is the complete single-chip CMOS LSI for calculator with 10 digits, 67 functions, 3 expression and hexadecimal, octal and binary, statistic calculation, fractional number calculation, and logic operation with the following features.

### FEATURES

- 12-digit display plus 2 digits code at the right margin.

- Scientific and engineering display.

Mantissa 10 digits plus exponent 2 digits plus negative code 2 digits.

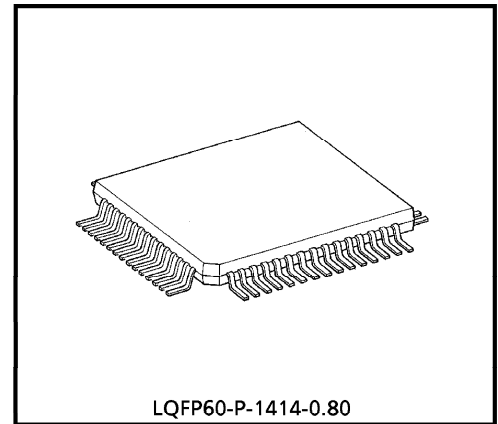
- Other than above

Mantissa 10 digits plus negative code 1 digit.

- 13 kinds of special display

M	Memory	HEX	Hexadecimal mode
-	Mantissa and exponent Minus	SD	Statistic calculation mode
E	Error	DEG	Degree
INV	Inverse	RAD	Radian
HYP	Hyperbolic	GRAD	Gradian
BIN	Binary mode	( )	Parenthesis calculation
OCT	Octal mode		

- The minus sign of the mantissa is floating minus.
- The arithmetic key operation in clouding  $Y^X$  or  $\sqrt[X]{Y}$  has same sequence as mathematical equation. 6 pending operations are allowed and ( ) are up to continuous 15 levels.
- Fractional number calculation.
- Statistic calculation includes 3 kinds of the normal distribution, total 9 kinds.
- It is possible to convert mutually between decimal, binary, octal and hexadecimal, and the four operations in arithmetic in binary, octal and hexadecimal.
- One independent accumulating memory.



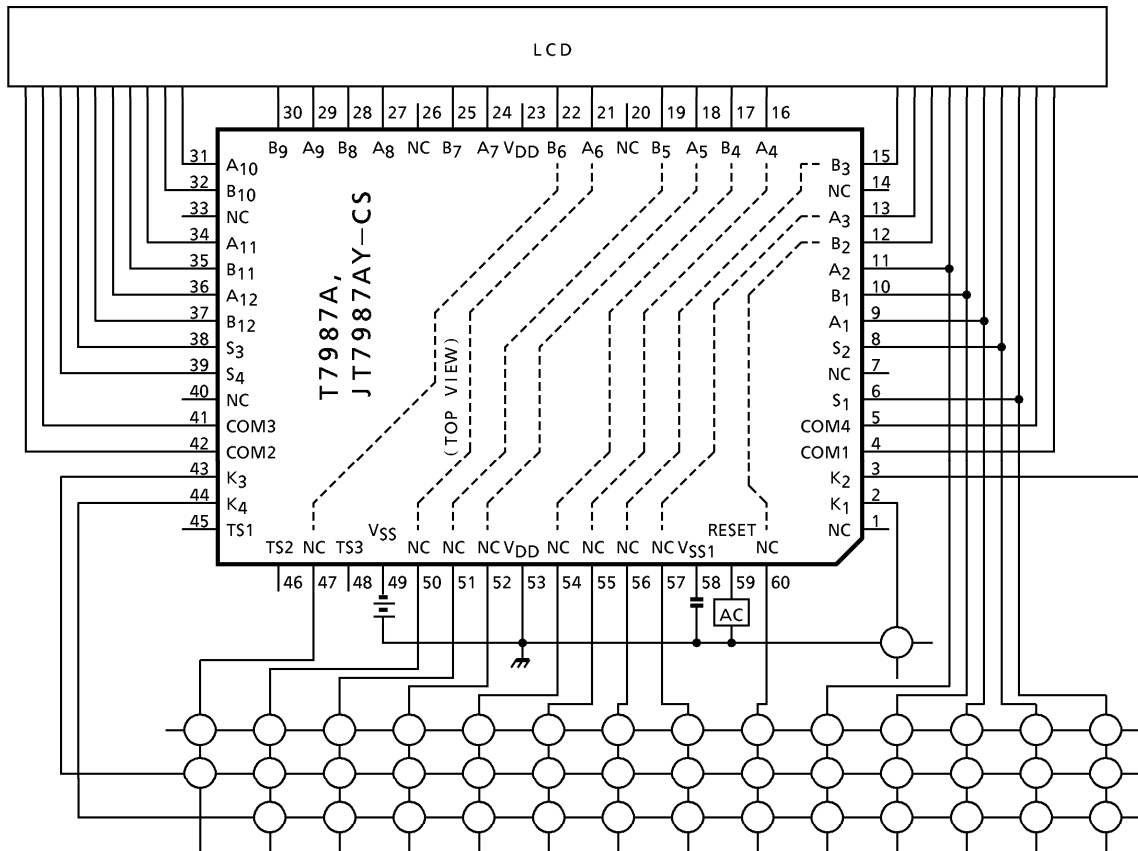
Weight : 0.66g (Typ.)

980910EBA2

● TOSHIBA is continually working to improve the quality and the reliability of its products. Nevertheless, semiconductor devices in general can malfunction or fail due to their inherent electrical sensitivity and vulnerability to physical stress. It is the responsibility of the buyer, when utilizing TOSHIBA products, to observe standards of safety, and to avoid situations in which a malfunction or failure of a TOSHIBA product could cause loss of human life, bodily injury or damage to property. In developing your designs, please ensure that TOSHIBA products are used within specified operating ranges as set forth in the most recent products specifications. Also, please keep in mind the precautions and conditions set forth in the TOSHIBA Semiconductor Reliability Handbook.

- It is possible to convert or fix the display number system by FLO (Floating) , SCI (Scientific) or ENG (Engineering) key.
- It is possible to specify decimal part digits (0~9) by FIX key.
- Direct drive for FEM LCD (1/3 prebias, 1/4 duty) .
- Automatic power on clear.
- Low-power consumption.  $V_{SS} = -3.0V$  single power supply.
- The 60-pin flat package is used.

**SYSTEM BLOCK DIAGRAM**

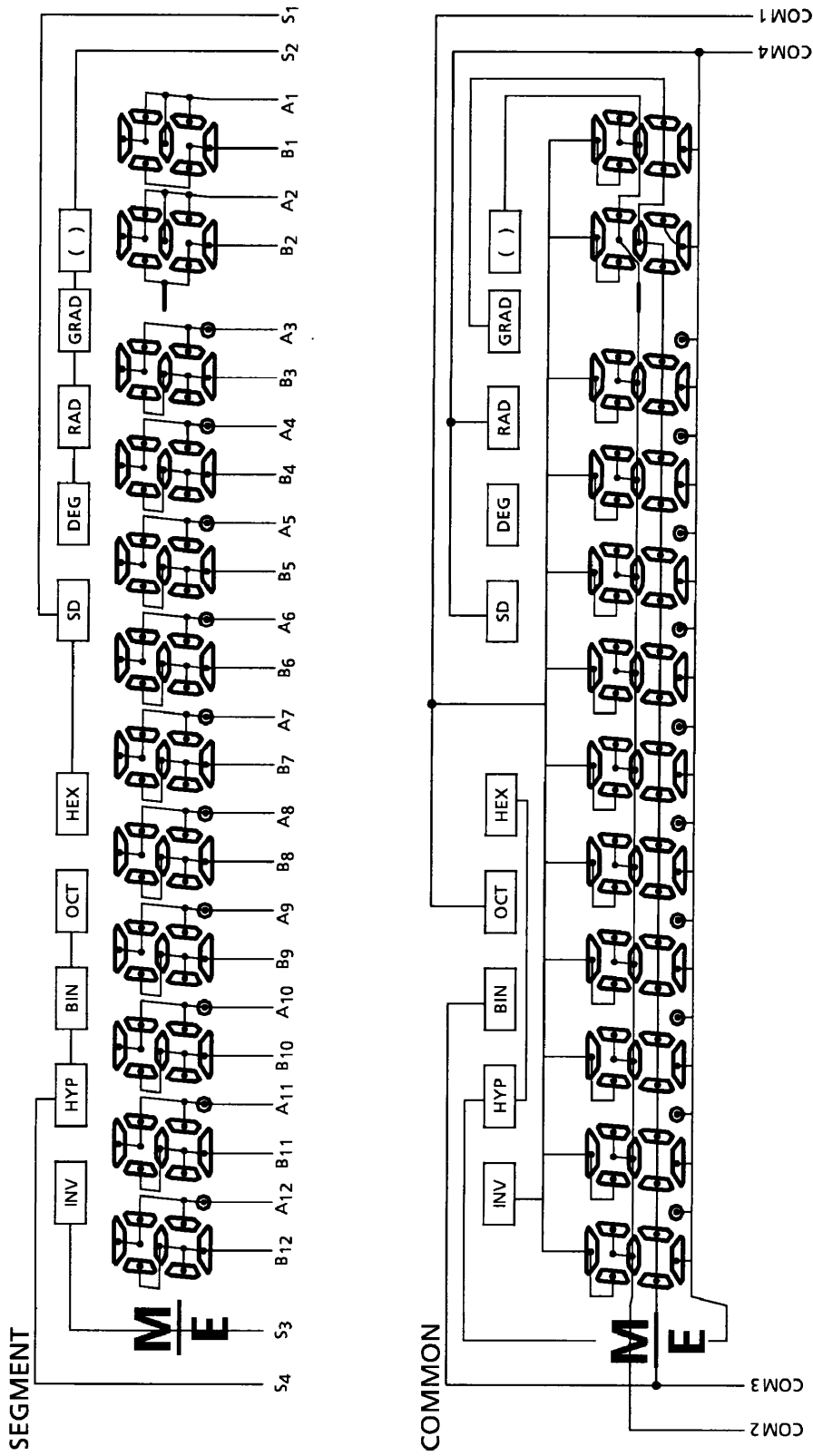


(Note) Input capacity  $\leq 400$  (pF) at  $V_{SS} = -3.0$  (V)  
 Key resistance  $\leq 3.0$  (k $\Omega$ ) at  $V_{SS} = -3.0$  (V)

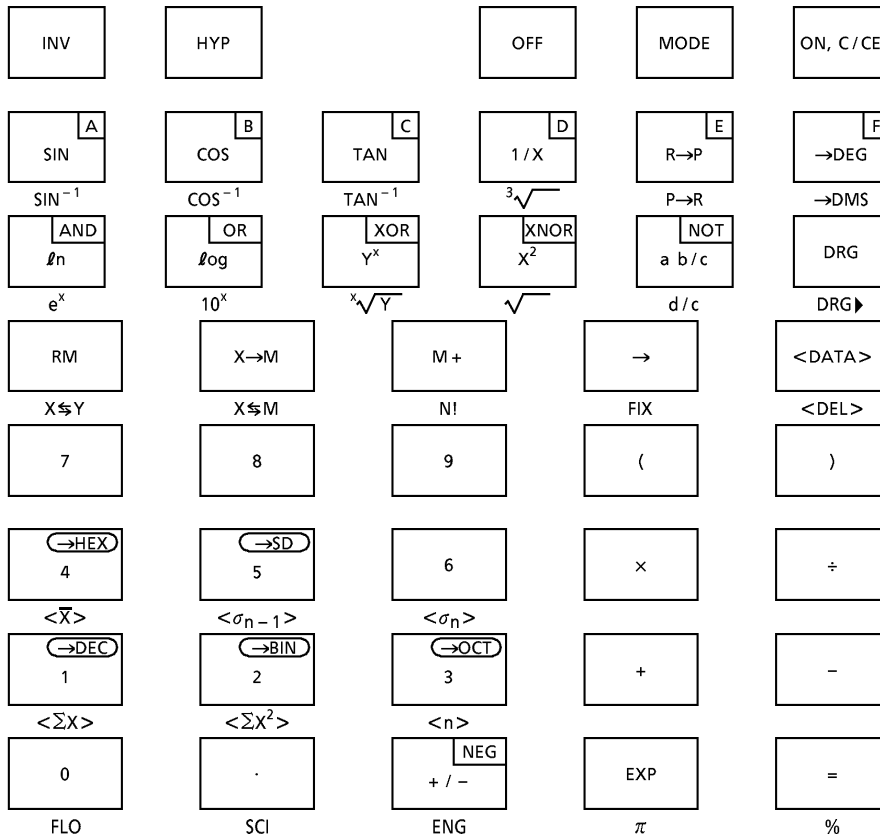
980910EBA2'

● The products described in this document are subject to the foreign exchange and foreign trade laws.  
 ● The information contained herein is presented only as a guide for the applications of our products. No responsibility is assumed by TOSHIBA CORPORATION for any infringements of intellectual property or other rights of the third parties which may result from its use. No license is granted by implication or otherwise under any intellectual property or other rights of TOSHIBA CORPORATION or others.  
 ● The information contained herein is subject to change without notice.

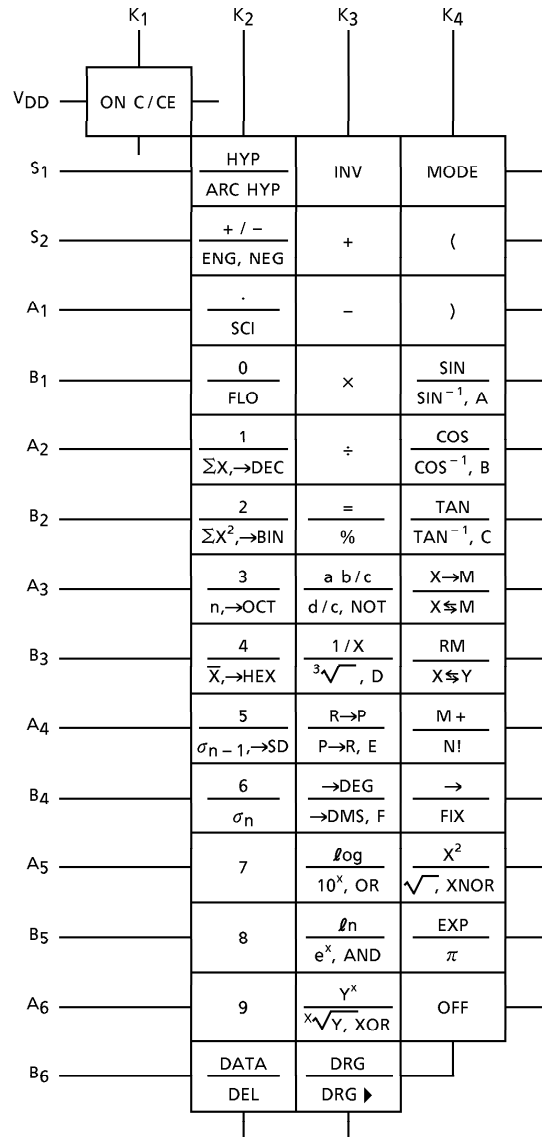
CONNECTION OF LCD



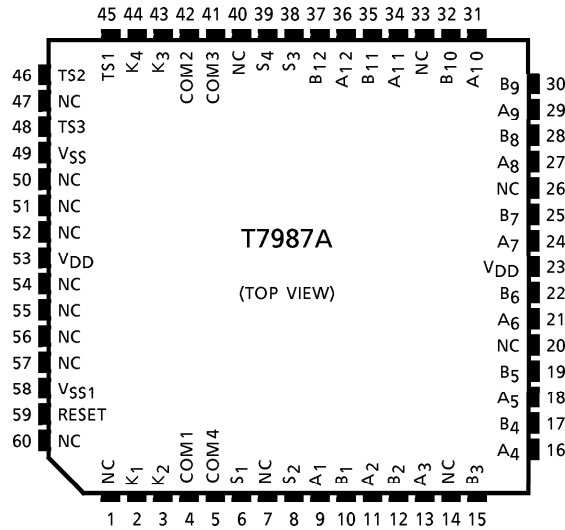
SET KEY LAYOUT (Example)



**KEY CONNECTION**



**PIN ASSIGNMENT**



**SPECIFICATION OF CALCULATOR**

Speed of calculation

Key on 4.8ms

Key off 34.4ms

$f\phi_{WAIT} = 15\text{kHz}$ ,  $f\phi_{op} = 80\text{kHz}$

The calculation speed doesn't include the key on or off time.

ITEM	OPERATION			CALCULATION SPEED (ms)
Number	DEC		5	8
			5	8
	HEX		A	9
			A	9
Function	DEC		5 +	20
			5 ×	21
	HEX		A -	51
			A ÷	52
4 operation	DEC		1 + 2	29
			1 0 0 0 0 0 0 0 0 - 1	31
			5 × 9	31
			5 5 5 5 5 × 9 9 9 9	36
	HEX		5 ÷ 9	47
			5 5 5 5 5 ÷ 9 9 9 9	58
			A B C + D E F	88
			A B C - D E F	144
$Y^X, X\sqrt{Y}$		A B C × D E F	100	
		A B C ÷ D E F	98	
$Y^X, X\sqrt{Y}$		3 $Y^X$ 4	=	252
		3 $\times \sqrt{Y}$ 4	=	262

ITEM	OPERATION			CALCULATION SPEED (ms)	
SIN	DEG		3 0	SIN	241
	RAD		$\pi \div 6 =$	SIN	231
	GRAD		1 0 0 $\div 3 =$	SIN	350
COS	DEG		6 0	COS	244
	RAD		$\pi \div 3 =$	COS	311
	GRAD		2 0 0 $\div 3 =$	COS	354
TAN	DEG		4 5	TAN	118
	RAD		$\pi \div 4 =$	TAN	45
	GRAD		5 0	TAN	48
SIN <sup>-1</sup>	DEG		0. 5	SIN <sup>-1</sup>	252
	RAD		0. 5	SIN <sup>-1</sup>	198
	GRAD		0. 5	SIN <sup>-1</sup>	249
COS <sup>-1</sup>	DEG		0. 5	COS <sup>-1</sup>	322
	RAD		0. 5	COS <sup>-1</sup>	230
	GRAD		0. 5	COS <sup>-1</sup>	319
TAN <sup>-1</sup>	DEG		1	TAN <sup>-1</sup>	73
	RAD		1	TAN <sup>-1</sup>	46
	GRAD		1	TAN <sup>-1</sup>	72
Ln			2 0	ln	47
Log			2 0	log	99
e <sup>x</sup>			2 0	e <sup>x</sup>	94
10 <sup>x</sup>			1. 2 3	10 <sup>x</sup>	113
			1 0	10 <sup>x</sup>	40
X!			6 9	N!	291
HYP			3 hyp	SIN	189
			3 hyp	COS	190
			3 hyp	TAN	232
ARC HYP			3 hyp <sup>-1</sup>	SIN	184
			3 hyp <sup>-1</sup>	COS	205
			0.5 hyp <sup>-1</sup>	TAN	174
X <sup>2</sup>			2 0	X <sup>2</sup>	18
$\sqrt{\quad}$			2 0	$\sqrt{\quad}$	64
1/X			2 0	1/X	23
$\sqrt[3]{\quad}$			2 0	$\sqrt[3]{\quad}$	180
Mutual Conversion	DEC		1 2 3	→BIN	35
			1 2 3 4 5	→OCT	40
			1 2 3 4 5	→HEX	35
	BIN		1 0 1 0 1	→DEC	27
	OCT		1 2 3 4 5	→DEC	33
	HEX		A B C D E	→DEC	54
→DEG			1.2 3 4 5	→DEG	78
→DMS			1.2 3 4 5	→DMS	87

ITEM	OPERATION				CALCULATION SPEED (ms)	
R→P	DEG	$\sqrt[3]{X \leftrightarrow Y}$ 1			R→P	275
	RAD	$\sqrt[3]{X \leftrightarrow Y}$ 1			R→P	216
	GRAD	$\sqrt[3]{X \leftrightarrow Y}$ 1			R→P	274
P→R	DEG	2 X↔Y 3 0			P→R	462
	RAD	2 X↔Y 30 DRG▶			P→R	437
	GRAD	2 X↔Y 30 DRG▶ DRG▶			P→R	626
→RAD	DEG	3 6 0			DRG▶	43
→GRAD	RAD	2 × π =			DRG▶	29
→DEG	GRAD	4 0 0			DRG▶	20
Memory	1 2 3 X→M				X→M	17
	1 2 3 X→M				M+	19
	1 2 3 X→M				RM	12
	1 2 3 X→M				X↔M	19
%	1 2 3 + 4 5 6				%	26
	1 2 3 - 4 5 6				%	26
	1 2 3 × 4 5 6				%	17
	1 2 3 ÷ 4 5 6				%	17
Exchange	1 2 3 + 4 5 6				X↔Y	15
Shift	1 2 3				→	8
Statistic Calculation	1 DATA 2 DATA 3 DATA ..... 8 DATA 9				DATA	38
	The above-mentioned data				n	16
					$\bar{X}$	21
					ΣX	15
					ΣX <sup>2</sup>	15
					σ <sub>n-1</sub>	90
					σ <sub>n</sub>	104
Logic operation	HEX	A B C AND D E F		=	181	
		A B C OR D E F		=	195	
		A B C XOR D E F		=	171	
		A B C XNOR D E F		=	289	
		A B C		NOT	118	
NEG	HEX	A B C		NEG	112	
Fractional number calculation	Function	2 ab/c 3 6 ab/c 2 3 4			-	75
		2 ab/c 3 6 ab/c 2 3 4			÷	76
	4-operation	2 _ 36J 234 + 3 _ 45 J 345			=	161
		2 _ 36J 234 - 3 _ 45 J 345			=	153
		2 _ 36J 234 × 3 _ 45 J 345			=	149
		2 _ 36J 234 ÷ 3 _ 45 J 345			=	168



**OPERATION RANGE AND ACCURACY**

FUNCTION	ANGLE UNIT	OPERATION RANGE	UNDER FLOW AREA	NORMAL ACCURACY
SIN X	DEG	$0 \leq  X  \leq 4.499999999 \times 10^{10}$	$0 \leq  X  \leq 5.729577951 \times 10^{-98}$	± 1 in 10th significant digit
	RAD	$0 \leq  X  \leq 785398163.3$	—	
	GRAD	$0 \leq  X  \leq 4.999999999 \times 10^{10}$	$0 \leq  X  \leq 6.366197723 \times 10^{-98}$	
COS X	DEG	$0 \leq  X  \leq 4.500000008 \times 10^{10}$	—	
	RAD	$0 \leq  X  \leq 785398164.9$	—	
	GRAD	$0 \leq  X  \leq 5.000000009 \times 10^{10}$	—	
TAN X	DEG	SAME AS SIN X except for $ X  = (2n - 1) \cdot 90$	SAME AS SIN X	
	RAD	SAME AS SIN X except for $ X  = (2n - 1) \cdot \pi / 2$	SAME AS SIN X	
	GRAD	SAME AS SIN X except for $ X  = (2n - 1) \cdot 100$	SAME AS SIN X	
SIN <sup>-1</sup> X	DEG	$0 \leq  X  \leq 1$	$0 \leq  X  \leq 1.570796326 \times 10^{-99}$	
	RAD	$0 \leq  X  \leq 1$	—	
	GRAD	$0 \leq  X  \leq 1$	$0 \leq  X  \leq 1.570796326 \times 10^{-99}$	
COS <sup>-1</sup> X	DEG	SAME AS SIN <sup>-1</sup> X	—	
	RAD	SAME AS SIN <sup>-1</sup> X	—	
	GRAD	SAME AS SIN <sup>-1</sup> X	—	
TAN <sup>-1</sup> X	DEG	$0 \leq  X  \leq 9.999999999 \times 10^{99}$	SAME AS SIN <sup>-1</sup> X	
	RAD	$0 \leq  X  \leq 9.999999999 \times 10^{99}$	—	
	GRAD	$0 \leq  X  \leq 9.999999999 \times 10^{99}$	SAME AS SIN <sup>-1</sup> X	
LN X		$0 < X$	—	
LOG X		$0 < X$	—	
e <sup>X</sup>		$-9.999999999 \times 10^{99}$ $\leq X \leq 230.2585092$	$-9.999999999 \times 10^{99}$ $\leq X \leq -227.9559243$	
10 <sup>X</sup>		$-9.999999999 \times 10^{99}$ $\leq X \leq 99.99999999$	$-9.999999999 \times 10^{99}$ $\leq X \leq -99.00000001$	
X!		$0 \leq X \leq 69$ (INTEGER)	—	
$\frac{1}{X}$		$1 \times 10^{-99}$ $\leq  X  \leq 9.999999999 \times 10^{99}$	$1.000000001 \times 10^{99}$ $\leq  X  \leq 9.999999999 \times 10^{99}$	
X <sup>2</sup>		$0 \leq  X  \leq 9.999999999 \times 10^{49}$	$0 \leq  X  \leq 3.162277660 \times 10^{-50}$	
$\sqrt{X}$		$0 \leq X \leq 9.999999999 \times 10^{99}$	—	
$\sqrt[3]{X}$		$0 \leq  X  \leq 9.999999999 \times 10^{99}$	—	
DMS→DEG		$0 \leq  X  \leq 9.999999999 \times 10^9$	—	
DEG→DMS		$0 \leq  X  \leq 9999999.999$	$0 \leq  X  \leq 1.388888888 \times 10^{-6}$	± 1 in least significant digit

FUNCTION	OPERATION RANGE	UNDER FLOW AREA	NORMAL ACCURACY
SINH X	$0 \leq  X  \leq 230.2585092$	—	± 1 in 10th significant digit
COSH X	$0 \leq  X  \leq 230.2585092$	—	
TANH X	$0 \leq  X  \leq 9.999999999 \times 10^{99}$	—	
SINH <sup>-1</sup> X	$0 \leq  X  \leq 4.999999999 \times 10^{99}$	—	
COSH <sup>-1</sup> X	$1 \leq X \leq 4.999999999 \times 10^{99}$	—	
TANH <sup>-1</sup> X	$0 \leq  X  \leq 9.999999999 \times 10^{-1}$	—	
R→P (xy→γθ)	$ x ,  y  \leq 9.999999999 \times 10^{49}$ $(x^2 + y^2) \leq 9.999999999 \times 10^{99}$ $\frac{Y}{X}$ ; SAME AS TAN <sup>-1</sup> X	$\frac{Y}{X}$ ; SAME AS TAN <sup>-1</sup> X	
P→R (γθ→xy)	$0 \leq \gamma \leq 9.999999999 \times 10^{99}$ $\theta$ ; SAME AS SIN X, COS X	$\theta$ ; SAME AS SIN X, COS X	
DEG→RAD	$0 \leq  X  \leq 9.999999999 \times 10^{99}$	$0 \leq  X  \leq 5.729577951 \times 10^{-98}$	
RAD→GRAD	$0 \leq  X  \leq 1.570796326 \times 10^{98}$	—	
GRAD→DEG	$0 \leq  X  \leq 9.999999999 \times 10^{99}$	$0 \leq  X  \leq 1.111111111 \times 10^{-99}$	
Y <sup>X</sup>	$-9.999999999 \times 10^{99}$ $\leq X \cdot \text{LN }  Y  \leq 230.2585092$  (1) Y>0…The above-mentioned operation range. (2) Y<0…X (Integer) or, 1/X (Odd, X≠0) …The above-mentioned operation range. (3) Y=0…0<X	$-9.999999999 \times 10^{99}$ $\leq X \cdot \text{LN }  Y  \leq -227.9559243$	± 1 in 10th significant digit
<sup>X</sup> √Y	$-9.999999999 \times 10^{99}$ $\leq \frac{1}{X} \cdot \text{LN }  Y  \leq 230.2585092$  (1) Y>0…The above-mentioned operation range. (2) Y<0…X (Odd) or 1/X (Integer, X≠0) …The above-mentioned operation range. (3) Y=0…0<X	$-9.999999999 \times 10^{99}$ $\leq \frac{1}{X} \cdot \text{LN }  Y  \leq -227.95593243$	± 1 in 10th significant digit
→DEC	<p style="text-align: center;">Operation range</p> The following operation range after the conversion. $0 \leq  X  \leq 9999999999$	—	
→BIN	The following operation range after the conversion. $1000000000 \leq X \leq 1111111111$ $0 \leq X \leq 1111111111$	—	
→OCT	The following operation range after the conversion. $4000000000 \leq X \leq 7777777777$ $0 \leq X \leq 3777777777$	—	
→HEX	The following operation range after the conversion. FDABF41CO1 ≤ X ≤ FFFFFFFF $0 \leq X \leq 2540BE3FF$	—	

FUNCTION		OPERATION RANGE	NORMAL ACCURACY
AND		BIN ; 1000000000 ≤ X ≤ 1111111111 0 ≤ X ≤ 1111111111	—
OR		OCT ; 4000000000 ≤ X ≤ 7777777777 0 ≤ X ≤ 3777777777	
XOR		HEX ; The following operation range after the operation.	
XNOR		FDABF41CO1 ≤ X ≤ FFFFFFFF 0 ≤ X ≤ 2540BE3FF	
NOT		BIN ; SAME AS AND OCT ; SAME AS AND HEX ; FDABF41CO1 ≤ X ≤ FFFFFFFF 0 ≤ X ≤ 2540BE3FE	—
NEG		BIN ; 1000000001 ≤ X ≤ 1111111111 0 ≤ X ≤ 1111111111 OCT ; 4000000001 ≤ X ≤ 7777777777 0 ≤ X ≤ 3777777777 HEX ; FDABF41CO1 ≤ X ≤ FFFFFFFF 0 ≤ X ≤ 2540BE3FF	—
Statistic	DATA DEL	$ x  \leq 9.999999999 \times 10^{49}$ $ \sum x  \leq 9.999999999 \times 10^{99}$ $\sum x^2 \leq 9.999999999 \times 10^{99}$ $0 \leq n \leq 9999999999$ . n = Integer	± 1 in 10th significant digit
	$\bar{x}$	n ≠ 0	
	$\sigma_{n-1}$	n ≠ 1, n ≠ 0 $0 \leq \frac{\sum X^2 - \{(\sum X)^2 / n\}}{n - 1} \leq 9.999999999 \times 10^{99}$	
	$\sigma_n$	n ≠ 0 $0 \leq \frac{\sum X^2 - \{(\sum X)^2 / n\}}{n} \leq 9.999999999 \times 10^{99}$	

**MAXIMUM RATINGS (Ta = 25°C)**

CHARACTERISTICS	SYMBOL	RATING	UNIT
Supply Voltage	V <sub>SS</sub>	+0.3 ~ -3.5	V
Input Voltage	V <sub>IN</sub>	+0.3 ~ V <sub>SS</sub> - 0.3	V
Operating Temperature	T <sub>opr</sub>	0 ~ 40	°C
Storage Temperature	T <sub>stg</sub>	-55 ~ 125	°C

ELECTRICAL CHARACTERISTICS ( $V_{SS} = -3.0 \pm 0.2V$ ,  $V_{DD} = 0V$ ,  $T_a = 25 \pm 1.5^\circ C$ )

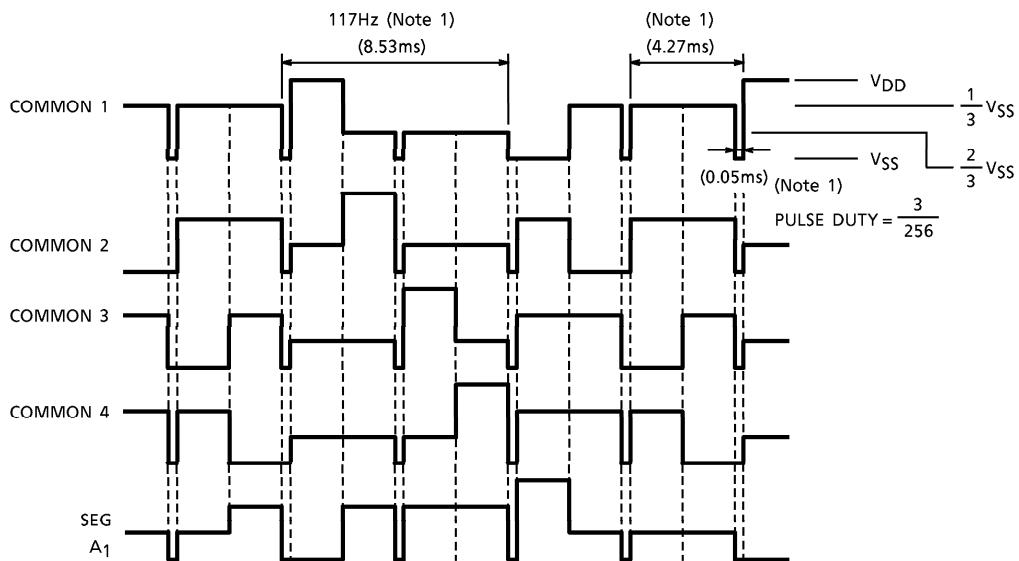
CHARACTERISTICS	SYMBOL	TEST CIRCUIT	PIN NAME	TEST CONDITION	MIN	TYP.	MAX	UNIT
Operating Voltage	—	—	—	—	-2.5	-3.0	-3.4	V
Supply Current	$I_{DD}$ WAIT	—	—	$V_{SS} = -3.0V$ , wait	—	20	35	$\mu A$
Supply Current	$I_{DD}$ OP	—	—	$V_{SS} = -3.0V$ , operate	—	70	120	$\mu A$
Supply Current	$I_{DD}$ OFF	—	—	$V_{SS} = -3.0V$ , off	—	1	3	$\mu A$
Oscillating Frequency	$F\phi$ WAIT	—	—	$V_{SS} = -3.0V$ , wait	9	15	21	kHz
Oscillating Frequency	$F\phi$ OP	—	—	$V_{SS} = -3.0V$ , operate	48	80	112	kHz
Fram Frequency	$f_F$	—	—	$V_{SS} = -3.0V$ , wait	70	117	164	Hz
Timer	T timer	—	—	$V_{SS} = -3.0V$	430	603	1005	s
"1" Input Voltage	$V_{IH}$	—	K1~K4 RESET	—	$V_{SS} + 0.5$	—	$V_{SS}$	V
"0" Input Voltage	$V_{IL}$	—	K1~K4 RESET	—	$V_{DD}$	—	-0.5	V
"1" Output Resistance	$R_{KEY}$	—	SEG	$V_{OUT} = V_{SS} + 0.5V$ : KEY STROBE	—	—	2	$k\Omega$
"0" Output Resistance	$R_{SEG} (L)$	—	SEG	$V_{OUT} = V_{DD} - 0.5V$	—	—	90	$k\Omega$
"1" Output Resistance	$R_{SEG} (H)$	—	SEG	$V_{OUT} = V_{SS} + 0.5V$ : KEY STROBE	—	—	90	$k\Omega$
"0" Output Resistance	$R_{COM} (L)$	—	COM	$V_{OUT} = V_{DD} - 0.5V$	—	—	25	$k\Omega$
"1" Output Resistance	$R_{COM} (H)$	—	COM	$V_{OUT} = V_{SS} + 0.5V$	—	—	25	$k\Omega$
KEY Pull Up Resistance	$R_{PULL UP}$	—	K1	$V_{OUT} = 0V$ (Note 1)	27	45	63	$k\Omega$
KEY Pull Down Resistance	$R_{PULL DOWN}$	—	K2~K4	$V_{OUT} = V_{SS}$ (Note 1)	27	45	63	$k\Omega$
KEY Pull Up Resistance	$R_{RESET} (H)$	—	RESET	$V_{OUT} = 0V$	24	40	56	$k\Omega$
KEY Pull Down Resistance	$R_{RESET} (L)$	—	RESET	$V_{OUT} = V_{DD} - 0.5V$	—	—	10	$k\Omega$
"M" Output Resistance	$R_{OM}$	—	SEG	$V_{OUT} = \frac{1}{3}V_{SS} - 0.5V$	—	125	—	$k\Omega$
"M" Output Resistance	$R_{OM}$	—	SEG	$V_{OUT} = \frac{2}{3}V_{SS} + 0.5V$	—	125	—	$k\Omega$
"M" Output Resistance	$R_{OM}$	—	COM	$V_{OUT} = \frac{1}{3}V_{SS} - 0.5V$	—	85	—	$k\Omega$
"M" Output Resistance	$R_{OM}$	—	COM	$V_{OUT} = \frac{2}{3}V_{SS} + 0.5V$	—	85	—	$k\Omega$
"1" Output Voltage	$V_{OH}$	—	RESET	—	$V_{SS} + 0.2$	$V_{SS}$	$V_{SS}$	V

CHARACTERISTICS	SYMBOL	TEST CIR-CUIT	PIN NAME	TEST CONDITION	MIN	TYP.	MAX	UNIT
"0" Output Voltage	V <sub>OL</sub>	—	RESET	—	V <sub>DD</sub>	V <sub>DD</sub>	V <sub>DD</sub> - 0.2	V
"1" Output Voltage	V <sub>OH</sub>	—	K <sub>1</sub>	(Note 1)	V <sub>SS</sub> + 0.2	V <sub>SS</sub>	V <sub>SS</sub>	V
"0" Output Voltage	V <sub>OL</sub>	—	K <sub>2</sub> ~K <sub>4</sub>	(Note 1)	V <sub>DD</sub>	V <sub>DD</sub>	V <sub>DD</sub> - 0.2	V
"1" Output Voltage	V <sub>OH</sub>	—	SEG COM	—	V <sub>SS</sub> + 0.2	V <sub>SS</sub>	V <sub>SS</sub>	V
"M" Output Voltage	V <sub>OM</sub>	—	SEG COM	—	2/3 V <sub>SS</sub> + 0.2	2/3 V <sub>SS</sub>	2/3 V <sub>SS</sub> - 0.2	V
"M" Output Voltage	V <sub>OM</sub>	—	SEG COM	—	1/3 V <sub>SS</sub> + 0.2	1/3 V <sub>SS</sub>	1/3 V <sub>SS</sub> - 0.2	V
"0" Output Voltage	V <sub>OL</sub>	—	SEG COM	—	V <sub>DD</sub>	V <sub>DD</sub>	V <sub>DD</sub> - 0.2	V

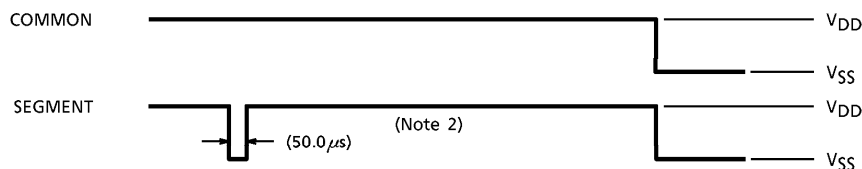
(Note 1) The key buffer is high impedance at keystroke.

**WAVEFORMS FOR DISPLAY**

Display



Key pulse output



(Note 1) F<sub>φ</sub>WAIT = 15kHz

(Note 2) F<sub>φ</sub>OP = 80kHz

PAD LOCATION TABLE

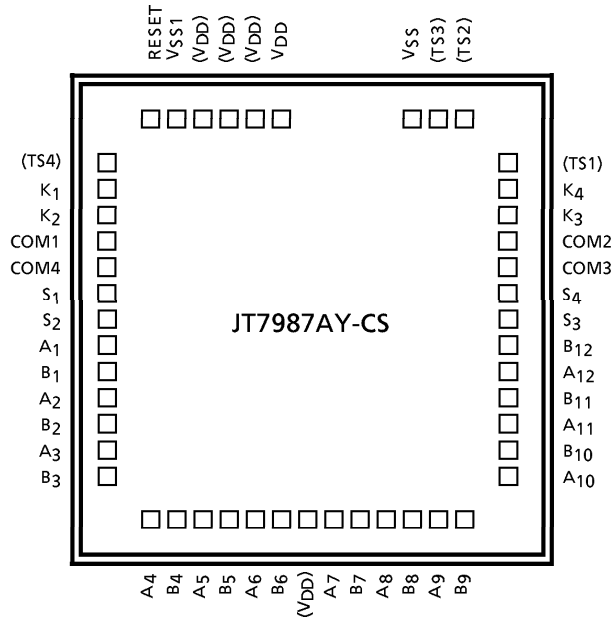
( $\mu\text{m}$ )

NAME	X POINT	Y POINT
RESET	- 890	1451
V <sub>SS1</sub>	- 731	1451
(V <sub>DD</sub> )	- 505	1451
(V <sub>DD</sub> )	- 346	1451
(V <sub>DD</sub> )	- 186	1451
V <sub>DD</sub>	8	1451
V <sub>SS</sub>	574	1451
(TS3)	734	1451
(TS2)	1055	1451
(TS1)	1270	993
K <sub>4</sub>	1270	829
K <sub>3</sub>	1270	666
COM2	1270	503
COM3	1270	339
S <sub>4</sub>	1270	175
S <sub>3</sub>	1270	13
B <sub>12</sub>	1270	- 149
A <sub>12</sub>	1270	- 315
B <sub>11</sub>	1270	- 478
A <sub>11</sub>	1270	- 641
B <sub>10</sub>	1270	- 805
A <sub>10</sub>	1270	- 968
B <sub>9</sub>	1076	- 1414
A <sub>9</sub>	888	- 1414

NAME	X POINT	Y POINT
B <sub>8</sub>	715	- 1414
A <sub>8</sub>	553	- 1414
B <sub>7</sub>	390	- 1414
A <sub>7</sub>	228	- 1414
(V <sub>DD</sub> )	0	- 1414
B <sub>6</sub>	- 231	- 1414
A <sub>6</sub>	- 393	- 1414
B <sub>5</sub>	- 555	- 1414
A <sub>5</sub>	- 717	- 1414
B <sub>4</sub>	- 879	- 1414
A <sub>4</sub>	- 1069	- 1414
B <sub>3</sub>	- 1270	- 958
A <sub>3</sub>	- 1270	- 795
B <sub>2</sub>	- 1270	- 631
A <sub>2</sub>	- 1270	- 468
B <sub>1</sub>	- 1270	- 304
A <sub>1</sub>	- 1270	- 141
S <sub>2</sub>	- 1270	23
S <sub>1</sub>	- 1270	186
COM4	- 1270	350
COM1	- 1270	513
K <sub>2</sub>	- 1270	676
K <sub>1</sub>	- 1270	840
(TS4)	- 1270	1003

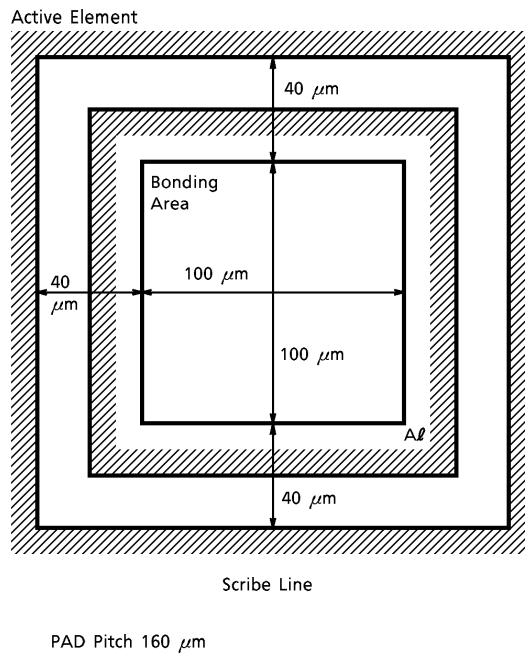
(Note) ( ) Do not connect.

**CHIP LAYOUT**



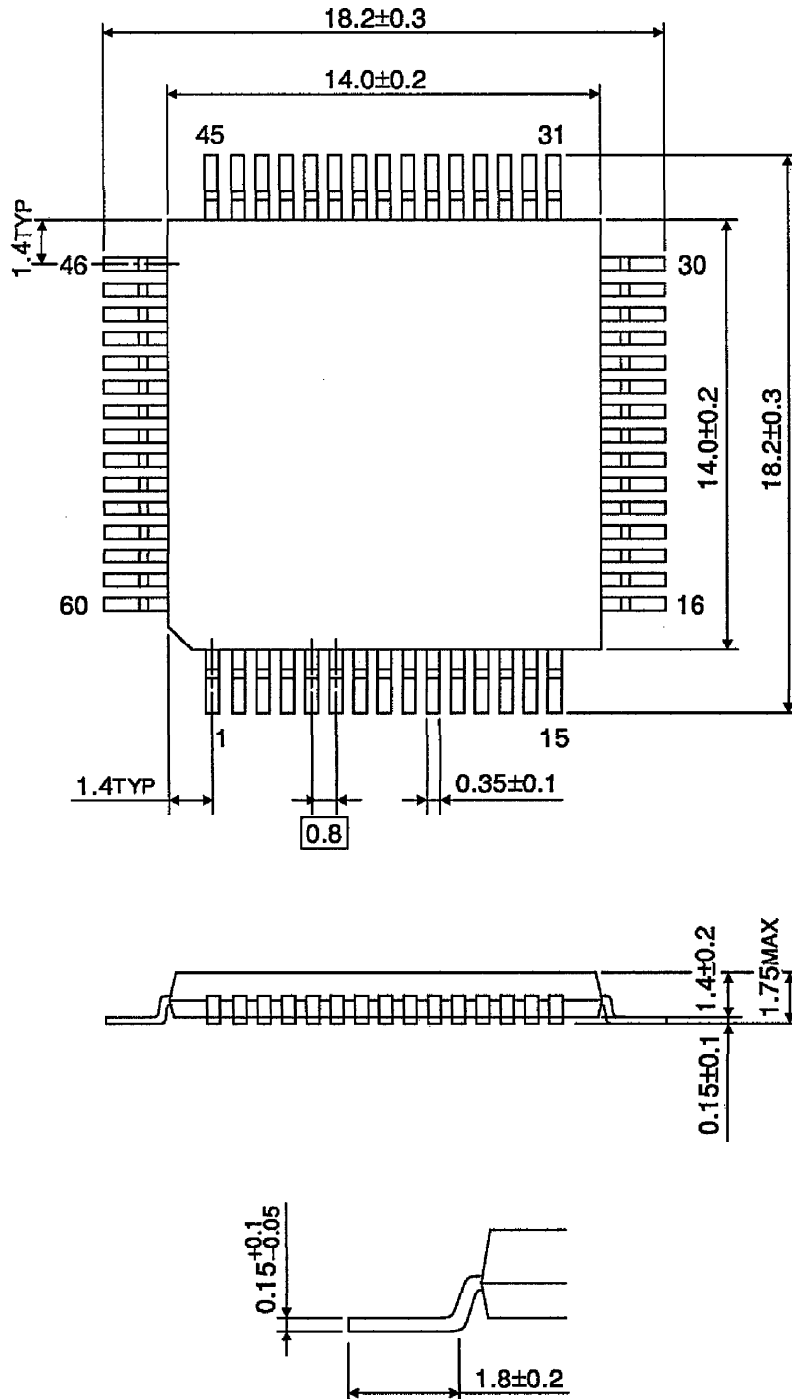
Chip size : 2.99 × 3.33 (mm)  
 Chip thickness : 200 ± 30 (μm)  
 Substrate : V<sub>DD</sub>

**PAD LAYOUT**



**PACKAGE DIMENSIONS**  
LQFP60-P-1414-0.80

Unit : mm



Weight : 0.66g (Typ.)



# General Specification for Bare Calculator LSI Chip

**1. Purpose**

This is to specify the quality standard for integrated circuits produced by TOSHIBA CORPORATION (hereinafter referred to as VENDOR) which are to be delivered to PURCHASER.

**2. Definition**

This specification applies only to the bare calculator LSI chips produced by VENDOR and purchased by PURCHASER and defines the general specification items.

**3. Priority of specifications**

When there are discrepancies in or questions arising from the specifications and instructions provided by VENDOR, the following documents shall apply, in the priority order shown.

- 1) Individual specifications for the bare calculator LSI chip  
(both PURCHASER and VENDOR should refer to the technical data sheet for the relevant product.)
- 2) General specifications for the bare calculator LSI chip
- 3) Other related specifications and standards

**4. Characteristics**

To be shown in the individual specification sheets.

The individual specifications shall consist of the following four items.

- 1) Rating specifications
- 2) Electrical characteristics
- 3) Pin configuration and mechanical dimensions
- 4) Others

**5. Inspection of product for delivery****5.1 Inspection lot**

- a) The inspection lot shall consist of products produced using the same material, working from the same design, via the same production process, using the same facilities, with the same assured quality and using the same quality assurance method; the lot number shall be put on all trays to allow tracing of the lot history.
- b) The products in an inspection lot number should all be taken from the same VENDOR's lot number.

**5.2 Sampling plan**

Statistical sampling and inspection shall be in accordance with MIL-STD-105D single sampling plans for normal inspections, general inspection level II.

The acceptable quality level (AQL) shall be as specified in the following table:

TEST	AQL (%)
Electrical	2.5
Visual	4.0

**5.3 Electrical criteria**

Criteria for electrical characteristics are prescribed in Attachment-1.

**5.4 Visual criteria**

Visual criteria are prescribed in Attachment-2.

**6. Incoming inspection****6.1 General**

- a) PURCHASER's incoming inspection should be done within 15 days of PURCHASER receiving the products.
- b) PURCHASER shall report the results of incoming inspection to VENDOR and provide VENDOR with detailed data of failure rate, quoting VENDOR's lot number for failed products, if VENDOR demands a report from PURCHASER.

**6.2 Inspection procedure**

PURCHASER should perform his incoming inspection according to the following procedure.

- a) First: Visual inspection should be carried out
- b) Second: Electrical and other inspections should be carried out before PURCHASER's manufacturing process is started.

**7. Treatment for defective lots and products**

Defective lots and defective products which are found in PURCHASER's incoming inspection can be returned to VENDOR with detailed description of failures.

However, if VENDOR does not receive the defective items within 30 days of PURCHASER's incoming inspection, VENDOR is absolved of responsibility for defects.

**8. Packing and labeling**

- a) Dies shall be placed in die tray in order with the top metal surface facing up.
- b) A pile consists of five trays and several piles are packed in a package. These piles and packages have printed labels on them as shown below.

Date	
Name	
Lot No.	
Net	
<b>TOSHIBA</b> MADE IN JAPAN	

- c) PURCHASER shall return these packing materials to VENDOR at VENDOR's request.

**9. Storage criteria**

Solid state chips, unlike packaged devices, are non-hermetic devices and are normally fragile and small in size. They therefore, require special handling considerations as follows:

- 9.1 Chips must be stored under proper conditions to ensure that they are not subjected to a moist and/or contaminated atmosphere that will alter their electrical, physical or mechanical characteristics.  
After the shipping container is opened, the chips must be stored under the following conditions:
  - A. Storage temperature: 40°C max
  - B. Relative humidity: 50% max
  - C. Clean, dust-free environment
- 9.2 The user must exercise proper care when handling chips or wafers so as to prevent even the slightest physical damage to the chip.
- 9.3 During chip-mounting and leads bonding the user must use proper assembly techniques to obtain proper electrical, thermal and mechanical performance.
- 9.4 After the chip has been mounted and the leads bonded, all necessary procedures must be followed by the user to ensure that these non-hermetic chips are not subjected to a moist or contaminated atmosphere which might cause the development of electrical conductive paths across the relatively small insulating surfaces.  
In addition, proper consideration must be given to the protection of these devices from other harmful environmental factors which could conceivably adversely affect their proper performance.

## 10. Handling criteria

The user should find the following suggested precautions helpful when handling chips. In any event, because of the extremely small size and the fragile nature of chips, care should be taken when handling these devices.

### 10.1 Grounding

- a) Bonders, pellet pick-up tools, table tops, trimming and forming tools, sealing equipment and any other equipment used in chip handling should be properly grounded.
- b) The operator should be properly grounded.

### 10.2 In-process handling

- a) Assemblies or sub-assemblies of chips should be transported and stored in conductive carriers.
- b) All external leads on the assemblies or sub-assemblies should be shorted together.

## 11. Visual Inspection Criteria

### 11.1 Visual inspection magnification shall be 40×

### 11.2 Defects defined:

#### 11.2.1 Thickness

See individual specifications in the technical data sheets.

#### 11.2.2 Chips and cracks

A die shall be rejected if:

Any crack or chip extends for more than a length of 35  $\mu\text{m}$  inside the scribe line (see Figure 1).

#### 11.2.3 Metallization

A die shall be rejected if:

- a) more than 25% of the metallization of any bonding pad is missing.
- b) there is a short or break which affects electrical characteristics in any lead pattern (see Figure 2).

#### 11.2.4 Glass protection coat

A die shall be rejected if:

The glass protection coat covers more than 25% of any bonding pad.

**11.2.5 Attached foreign material**

A die shall be rejected if:

- a) a die is covered by stains or attached foreign material the area of which is greater than five times the bonding pad area.
- b) it exhibits residual ink, stains or attached foreign material which cover more than 20% of any active bonding pad (see Figure 3).

**11.2.6 Others**

A die shall be rejected if:

- a) there are no probe needle scratches on any of the bonding pads.
- b) if it has been marked with ink.

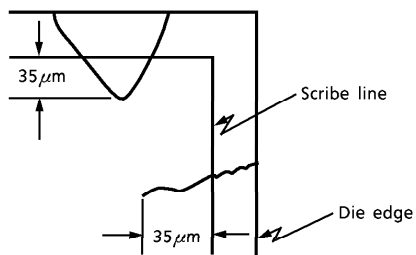
**11.3 Parameter limits for samples should be applied as necessary**

Figure 1

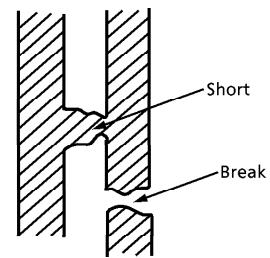


Figure 2 Lead pattern

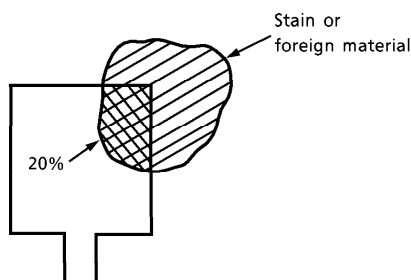
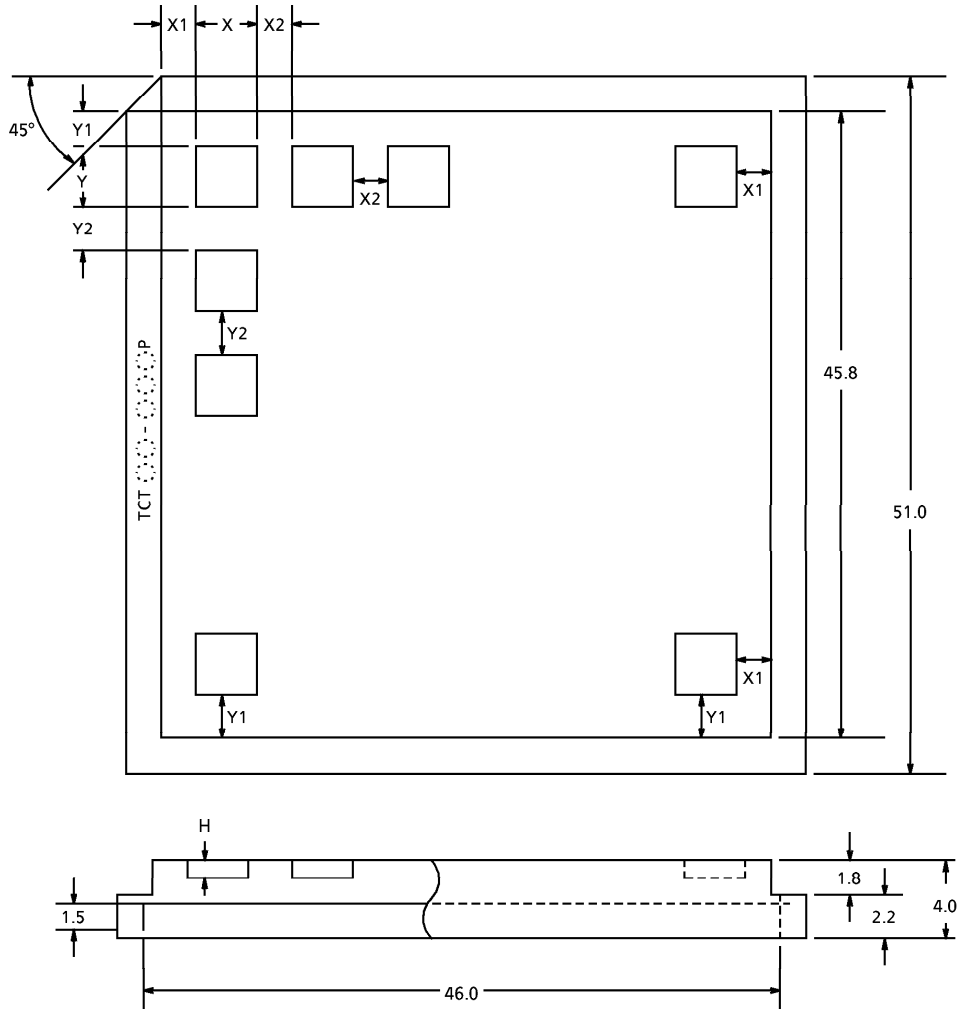


Figure 3

**External Dimensions of Chip Tray**



Please select a tray name from the table according to the chip size:

Unit: mm

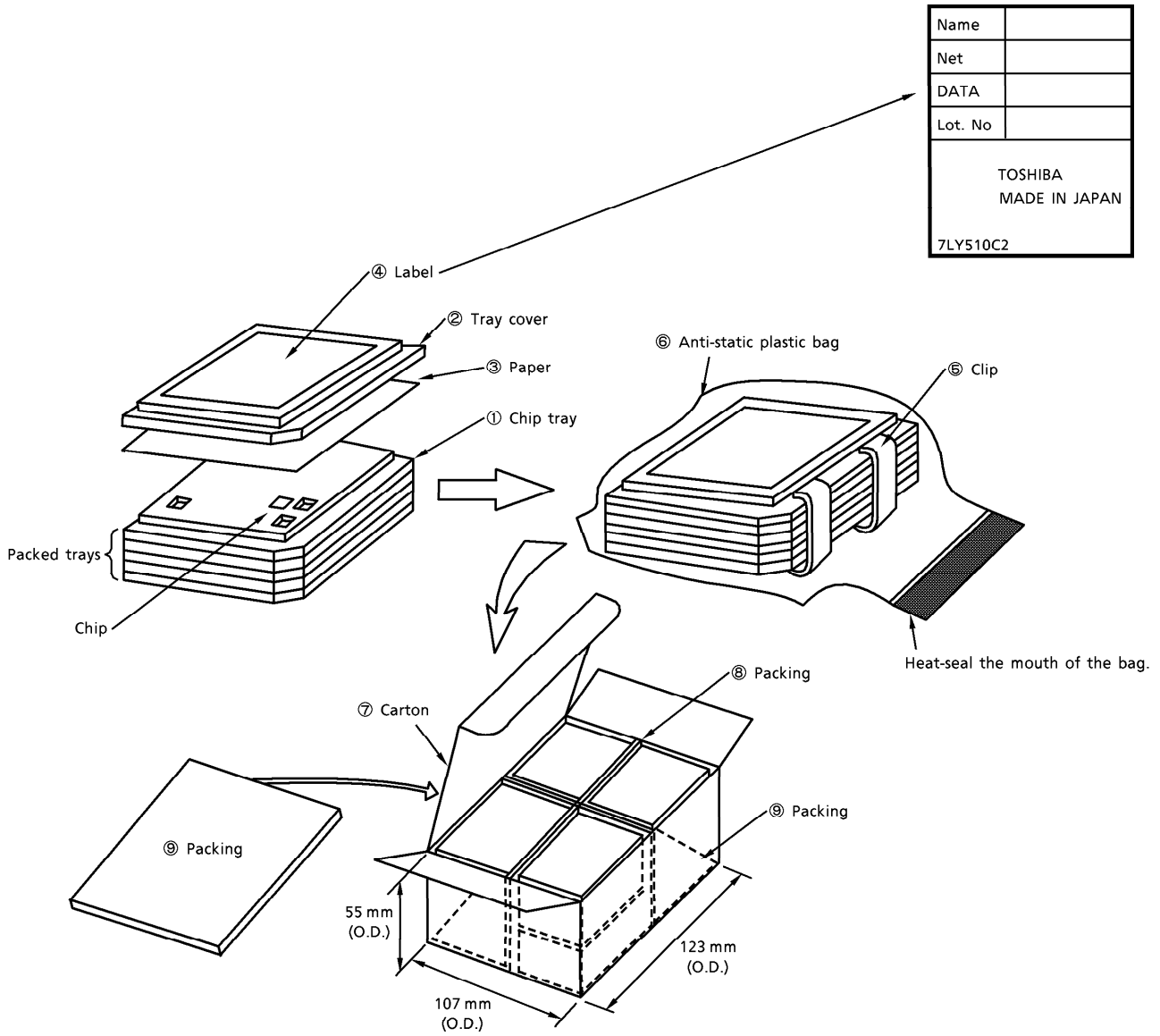
Tray name	X	Y	H	No. of pockets (pcs)	X1	X2	Y1	Y2
TCT28-060P	2.80	2.80	0.60	10×10 (100)	1.700	1.800	1.700	1.600
TCT33-060P	3.30	3.30	0.60	10×10 (100)	1.900	1.000	1.900	1.000
TCT38-060P	3.80	3.80	0.60	10×10 (100)	1.200	0.600	1.200	0.600
TCT45-060P	4.50	4.50	0.60	7×7 (49)	2.050	1.700	2.050	1.700
TCT53-060P	5.30	5.30	0.60	7×7 (49)	1.350	1.000	1.350	1.000

Tray material:

Carbon-bearing polypropylene



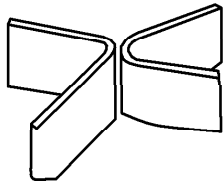
### Packing Method 1

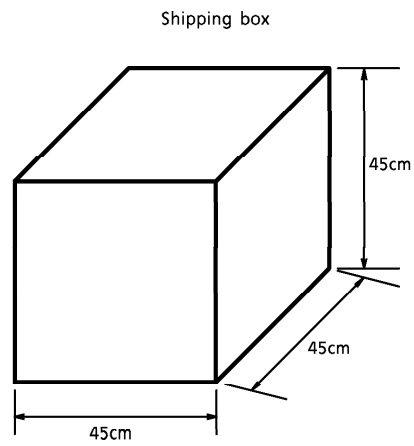


Name	
Net	
DATA	
Lot. No	
TOSHIBA MADE IN JAPAN	
7LY510C2	

Place eight bags of chip trays in each carton ⑦. Lay one sheet of packing (7UF44F) ⑨ on top before closing the lid of the carton (see the diagram above).

Prepare the packing ⑧ by cutting a sheet of 7UF44F into halves and folding each half in half as shown below; use these halves as inner partitions.



**Packing Method 2**

- Inner box : Containing 20 boxes
- Weight : Approx. 15 kg (including packing material)
- Material : Corrugated cardboard
- IC contents :  $36 \times 5 \times 8 \times 20 = 28.800$  pcs