

HA12155NT/HA12157NT

Audio Signal Processor for Cassette Deck (Dolby B/C-type NR
with Recording System)

HITACHI

ADE-207-115C (Z)
4th Edition
June 1997

Description

HA12155NT/HA12157NT is silicon monolithic bipolar IC providing Dolby noise reduction system*, electrical volume system, REC equalizer system and level meter system in one chip.

Functions

- REC equalizer × 2 channel
- Dolby B/C NR × 2 channel
- Electronic volume × 2 channel
- Level Meter × 2 channel

Features

- Inductor less REC equalizer is adjustable of its characteristics by external resistor
- Rec level is adjustable automatically with electrical volume which is built-in
- 3 type of input selection is available (one is by way of electrical volume)
- Separate input selection SW and REC/PB SW
- Dolby noise reduction with dubbing cassette decks
(Unprocessed signal output available from recording out terminals during PB mode)
- Log-compressed level meter output is range from 0 V to 5 V
(Usable as music search switchable gain of 0 dB and 20 dB respectively)
- Normal-speed/high-speed (Double), normal/metal/chrome fully electronic control switching built-in
- NR-ON/OFF, Dolby B/C, MPX ON/OFF fully electronic control switching built-in
(Controllable from micro-controller directly)
- Reduction of number of pin by transfered serial data to electronic volume control switching and another control switching
(Controllable from micro-controller directly)
- Low external parts count

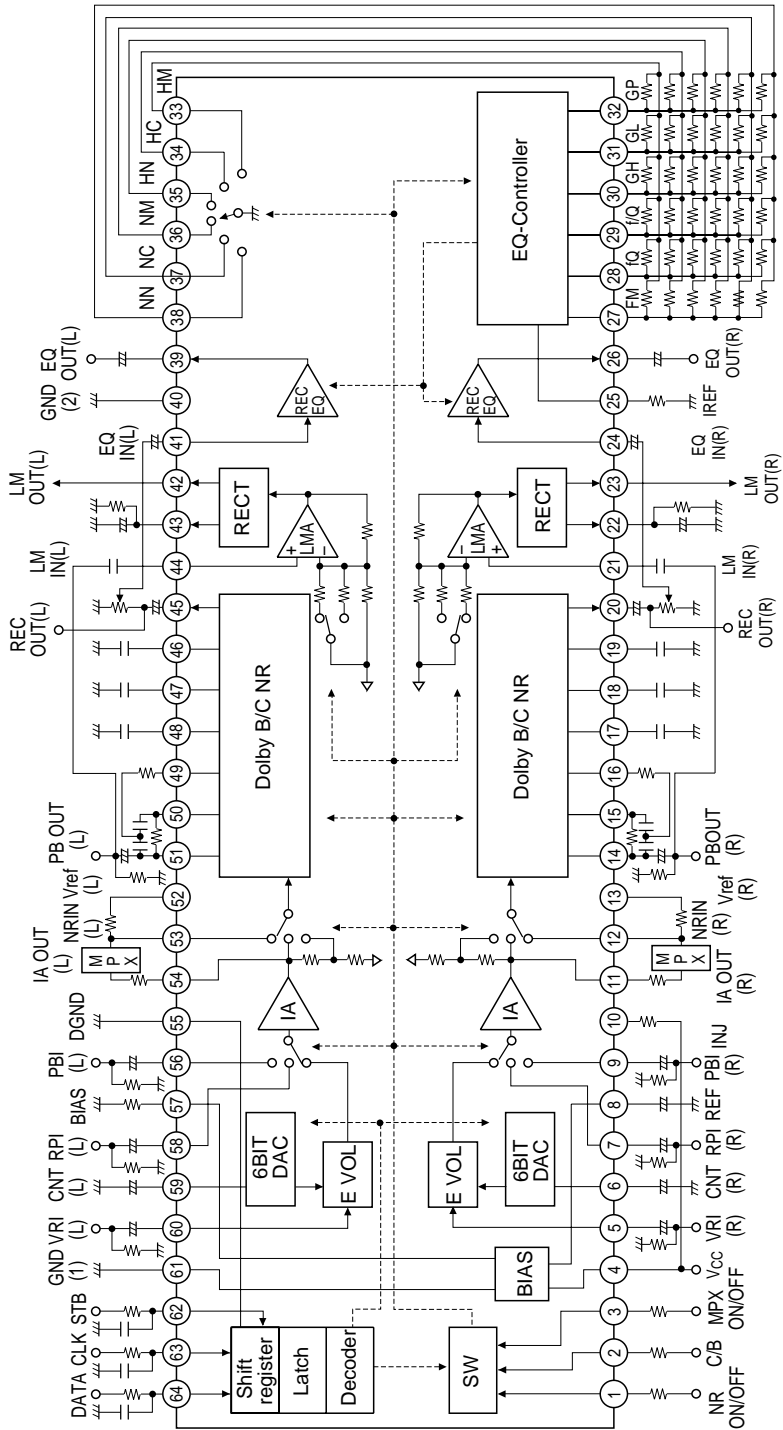
* Dolby is a trademark of Dolby Laboratories Licensing Corporation.
A license from Dolby Laboratories Licensing Corporation is required for the use of this IC.

HA12155NT/HA12157NT

Ordering Information

Type	Package	Dolby Level	REC-OUT Level	PB-OUT Level	Operating voltage	
					Min	Max
HA12155NT	DP-64S	300 mVrms	300 mVrms	580 mVrms	9.5 V	16 V
HA12157NT				775 mVrms	12 V	16 V

Block Diagram



Absolute Maximum Ratings

Item	Symbol	Ratings	Unit
Supply voltage	V_{CC}	16	V
Power dissipation*1	P_d	770	mW
Operating temperature	T_{opr}	-30 to +75	°C
Storage temperature	T_{stg}	-55 to +125	°C

Note: 1. Value at $T_a \leq 75^\circ\text{C}$

Electrical Characteristics ($T_a = 25^\circ\text{C}$ $V_{CC} = 14\text{ V}$ Dolby level 300 mVrms)

Item	Symbol	Min	Typ	Max	Unit	Test conditions	Notes
Quiescent current	I_Q	—	29.0	37.0	mA	no signal	
Input amp gain	G_{VIA} RPI	18.5	20.0	21.5	dB	$V_{in} = 0\text{ dB}$, $f = 1\text{ kHz}$	
	G_{VIA} PBI	18.5	20.0	21.5			
B-type NR Encode Boost	B-ENC-2K	2.8	4.3	5.8	dB	$V_{in} = -20\text{ dB}$, $f = 2\text{ kHz}$	
	B-ENC-5K	1.7	3.2	4.7		$V_{in} = -20\text{ dB}$, $f = 5\text{ kHz}$	
C-type NR Encode Boost	C-ENC-1K(1)	3.9	5.9	7.9	dB	$V_{in} = -20\text{ dB}$, $f = 1\text{ kHz}$	
	C-ENC-1K(2)	18.1	19.6	21.6		$V_{in} = -60\text{ dB}$, $f = 1\text{ kHz}$	
	C-ENC-700	9.8	11.8	13.8		$V_{in} = -30\text{ dB}$, $f = 700\text{ Hz}$	
Signal handling	V_{omax}	12.0	13.0	—	dB	$f = 1\text{ kHz}$, THD = 1%, $V_{CC} = 12\text{ V}$	*1
Signal to noise ratio	S/N	60.0	63.0	—	dB	$R_g = 5.1\text{ k}\Omega$, CCIR/ARM	
Total harmonic distortion	THD	—	0.08	0.3	%	$V_{in} = 0\text{ dB}$, $f = 1\text{ kHz}$	
Crosstalk	C_T (R \leftrightarrow L)	—	-85.0	-79.0	dB	$V_{in} = 0\text{ dB}$, $f = 1\text{ kHz}$	
	C_T (RPI \leftrightarrow PBI)	—	-80.0	-74.0			
	C_T (VRI \leftrightarrow RPI)	—	-77.0	-71.0			
Control voltage	Hi level	V_{cH}	3.5	—	5.3	V	MPX ON/OFF, NR
	Lo level	V_{cL}	-0.2	—	1.0		ON/OFF C-NR/B-NR
Serial data voltage	Hi level	V_{sH}	3.5	—	5.3	V	CLK, DATA, STB
	Lo level	V_{sL}	-0.2	—	1.0		
PB-out level	HA12155	V_{out}	500	580	670	mVrms	$V_{in} = 0\text{ dB}$, $f = 1\text{ kHz}$
	HA12157		665	775	900		
PB-offset	V_{ofs}	-100	0.0	+100	mV	no signal	
Channel balance	ΔG_V	-1.0	0.0	1.0	dB	$V_{in} = 0\text{ dB}$, $f = 1\text{ kHz}$	
Volume gain	$G_{VVR(MAX)}$	17.5	19.3	21.5	dB	$V_{in} = 100\text{ mVrms}$, $f = 1\text{ kHz}$	
	$G_{VVR(MIN)}$	—	—	-55.0		$V_{in} = 3\text{ Vrms}$, $f = 1\text{ kHz}$	

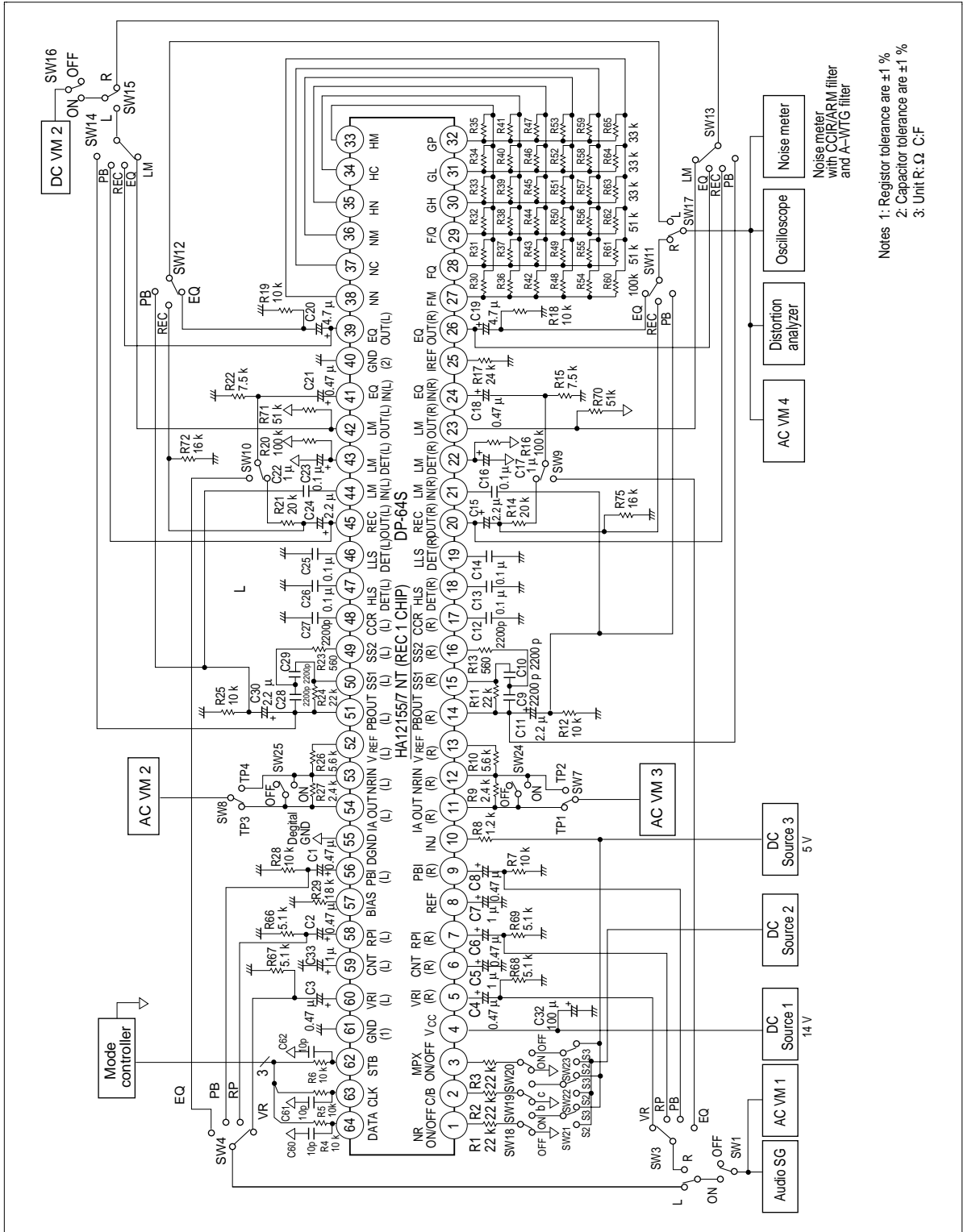
Electrical Characteristics (Ta = 25°C V_{CC} = 14 V Dolby level 300 mVrms) (cont)

Item	Symbol	Min	Typ	Max	Unit	Test conditions	Notes
Volume mute	G _{VVR (MUT)}	—	—	-80.0	dB	V _{in} = 3 Vrms, f = 1 kHz	
Max-input level to volume	V _{in} max (VR)	11.0	12.6	—	dBs	f = 1 kHz, THD = 1%, V _{CC} = 12 V	
Volume S/N	S/N (VR)	78.0	84.0	—	dB	V _{in} = 100 mVrms, f = 1 kHz, A-WTG	
Volume THD	THD (VR)	—	0.04	0.3	%	V _{in} = 100 mVrms, f = 1 kHz	
Equalizer gain	G _{VEQ (500)}	13.0	15.0	17.0	dB	V _{in} = 77.5 mVrms, f = 500 Hz	
	G _{VEQ (1K)}	13.0	15.0	17.0		V _{in} = 77.5 mVrms, f = 1 kHz	
	G _{VEQ (5K)}	14.5	16.5	18.5		V _{in} = 77.5 mVrms, f = 5 kHz	
	G _{VEQ (10K)}	18.5	20.5	22.5		V _{in} = 77.5 mVrms, f = 10 kHz	
	G _{VEQ (20K)}	29.5	32.0	34.5		V _{in} = 77.5 mVrms, f = 20 kHz	
Equalizer maximum input	V _{in} max (EQ)	-8.0	-7.0	—	dBs	f = 1 kHz, THD = 1%, V _{CC} = 12 V	*1
Equalizer S/N	S/N (EQ)	57.0	62.0	—	dB	R _g = 5.1 kΩ, A-WTG	
Equalizer THD	THD (EQ)	—	0.2	0.5	%	V _{in} = 77.5 mVrms, f = 1 kHz	
Equalizer offset	Vofs (EQ)	-400	0.0	+400	mV	no signal	
Level meter output	LM (0 dB)	2.60	2.85	3.10	V	V _{in} = 0 dB, f = 1 kHz	*2
	LM (12 dB)	3.60	3.90	4.20	V	V _{in} = 12 dB, f = 1 kHz	
Level meter output	LM (-20 dB)1	0.80	1.10	1.40	V	V _{in} = -20 dB, f = 1 kHz	*2
	LM (-20 dB)2	2.55	3.0	3.15	V	V _{in} = -20 dB, f = 1 kHz, -20 dB range	
Level meter offset	LMofs 1	—	150	300	mV	no signal	
	LMofs 2	—	200	350		no signal, -20 dB range	

 Notes: 1. HA12155 V_{CC} = 9.5 V, HA12157 V_{CC} = 12 V

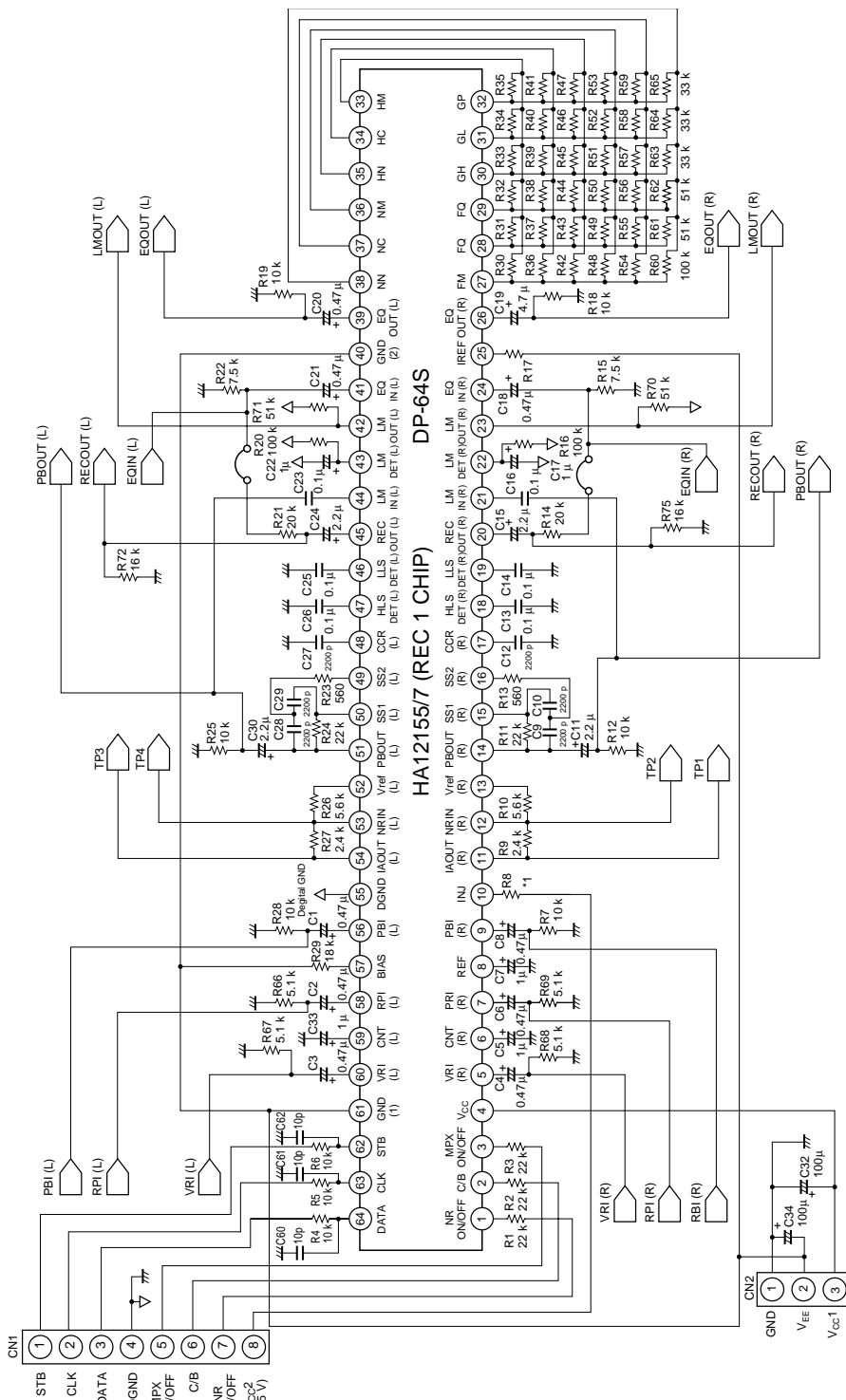
2. 0 dB = PB-OUT level

Test Circuit



Notes 1: Resistor tolerance are $\pm 1\%$
 2: Capacitor tolerance are $\pm 1\%$
 3: Unit R: Ω C: F

Example of Split Supply Circuit

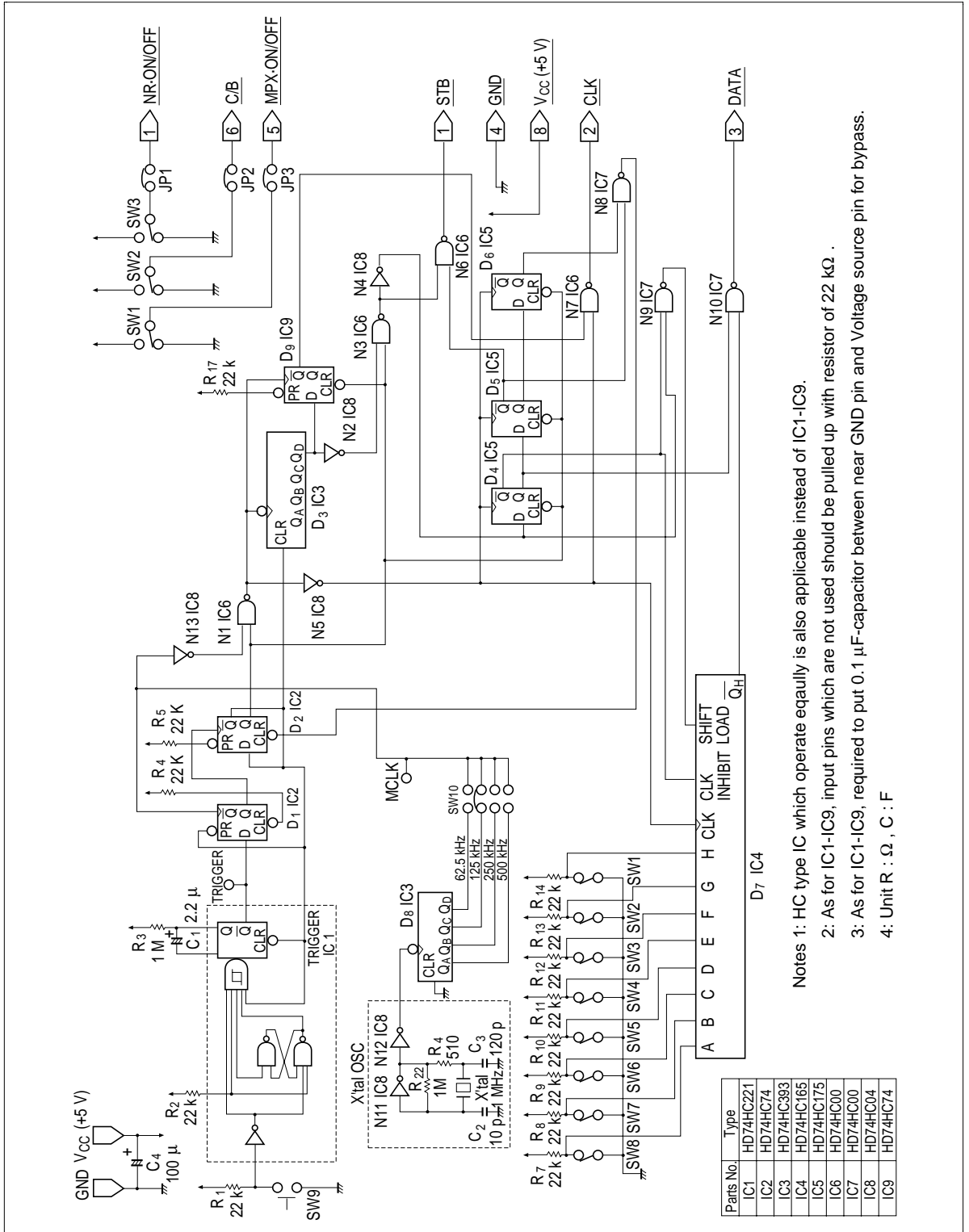


Note 1: The pin 10 can connect to V_{CC}1 through R8.

The value of external resistor R8 is obtained by using following equations.

$$R8 = \frac{V_{INJ} - V_{EE} - 0.7}{3.6} \text{ (k}\Omega\text{)}$$

Mode Controller



Notes 1: HC type IC which operate equally is also applicable instead of IC1-IC9.

2: As for IC1-IC9, input pins which are not used should be pulled up with resistor of 22 k Ω .

3: As for IC1-IC9, required to put 0.1 μ F-capacitor between near GND pin and Voltage source pin for bypass.

4: Unit R : Ω , C : F

Pin Description ($V_{CC} = 14\text{ V}$, $T_a = 25^\circ\text{C}$, No signal, the value in the table show typical value)

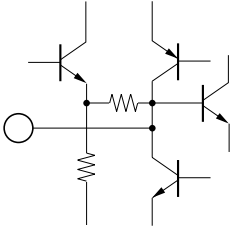
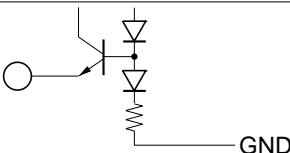
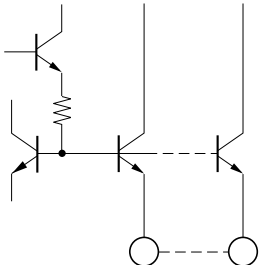
Pin No.	Terminal name	Zin	DC voltage	Equivalent circuit	Description
7	RPI	100 k Ω	$V_{CC}/2$		Recording input
58					
9	PBI				Play back input
56					
21	LM IN	HA12155 ---75 k Ω			Level meter input
44		HA12157 ---100 k Ω			
24	EQ IN	100 k Ω			Equalizer input
41					
5	VRI	100 k Ω	$V_{CC}/2$		Volume input
60			+0.7 V		
4	V_{CC}	—	V_{CC}	—	Power supply
8	REF	—	$V_{CC}/2$	—	Ripple filter
12	NR IN	—	$V_{CC}/2$		NR processor input
53					
15	SS 1	—	$V_{CC}/2$		
50					

HA12155NT/HA12157NT

Pin Description ($V_{CC} = 14\text{ V}$, $T_a = 25^\circ\text{C}$, No signal, the value in the table show typical value) (cont)

Pin No.	Terminal name	Zin	DC voltage	Equivalent circuit	Description
17 48	CCR	—	$V_{CC}/2$		Current controlled resistor output
11 54	IA OUT	—	$V_{CC}/2$		Input amp output
13 52	VREF				Reference voltage buffer output
14 51	PB OUT				Play back (Decode) output
16 49	SS 2				Spectral skewing amp. output
20 45	REC OUT				Recording (Encode) output
26 39	EQ OUT				Equalyzer output

Pin Description ($V_{CC} = 14\text{ V}$, $T_a = 25^\circ\text{C}$, No signal, the value in the table show typical value) (cont)

Pin No.	Terminal name	Zin	DC voltage	Equivalent circuit	Description
18 47	HLS DET	—	2.3 V		Time constant pin for rectifier
19 46	LLS DET	—			
57	BIAS	—	0.28 V		Dolby NR Reference current input
25	IREF	—	1.2 V		EQ Reference current input
27	FM				EQ Parameter current input
28	fQ				
29	f/Q				
30	GH				
31	GL				
32	GP				

HA12155NT/HA12157NT

Pin Description ($V_{CC} = 14\text{ V}$, $T_a = 25^\circ\text{C}$, No signal, the value in the table show typical value) (cont)

Pin No.	Terminal name	Zin	DC voltage	Equivalent circuit	Description
33	HM	—	—		EQ Parameter selector
34	HC				
35	HN				
36	NM				
37	NC				
38	NN				
6	CNT	5.2 kΩ	$V_{CC}/2$ - 1.5 V to $V_{CC}/2$		DAC output Volume control input
22	LMD	—	0.2 V		Time constant Pin for level meter
43					
23	LM OUT	—	0.2 V		Level meter output
42					

Pin Description ($V_{CC} = 14\text{ V}$, $T_a = 25^\circ\text{C}$, No signal, the value in the table show typical value) (cont)

Pin No.	Terminal name	Zin	DC voltage	Equivalent circuit	Description
1	NR ON/OFF	100 k Ω	—		Mode control input
2	C/B				
3	MPX ON/OFF				
62	STB				
63	CLK				
64	DATA				
10	INJ	—	0.7 V	—	Injection current input for I ² L
55	D-GND	—	0.0 V	—	Digital (Logic) ground
40	GND	—	0.0 V	—	Ground
61					

Application Note

Power Supply Range

HA12155NT/HA12157NT are designed to operate on either single supply or split supply.

The operating range of the supply voltage is shown in table 1.

Table 1 Supply Voltage

Type No.	Single supply	Split supply
HA12155NT	9.5 V to 16 V	$\pm 6\text{ V}$ to 8 V
HA12157NT	12 V to 16 V	$\pm 6\text{ V}$ to 8 V

The lower limit of supply voltage depends on the line output reference level.

HA12155NT/HA12157NT

The minimum value of the headroom margin is specified as 12 dB by Dolby Laboratories. HA12155 series are provided with two line output level, which will permit an optimum headroom margin for power supply conditions.

Reference Voltage

For the single supply operation these devices provide the reference voltage of half the supply voltage that is the signal grounds. As the peculiarity of these devices, the capacitor for the ripple filter is very small about 1/100 compared with their usual value. The Reference voltage are provided for the left channel and the right channel separately. The block diagram is shown as figure 1.

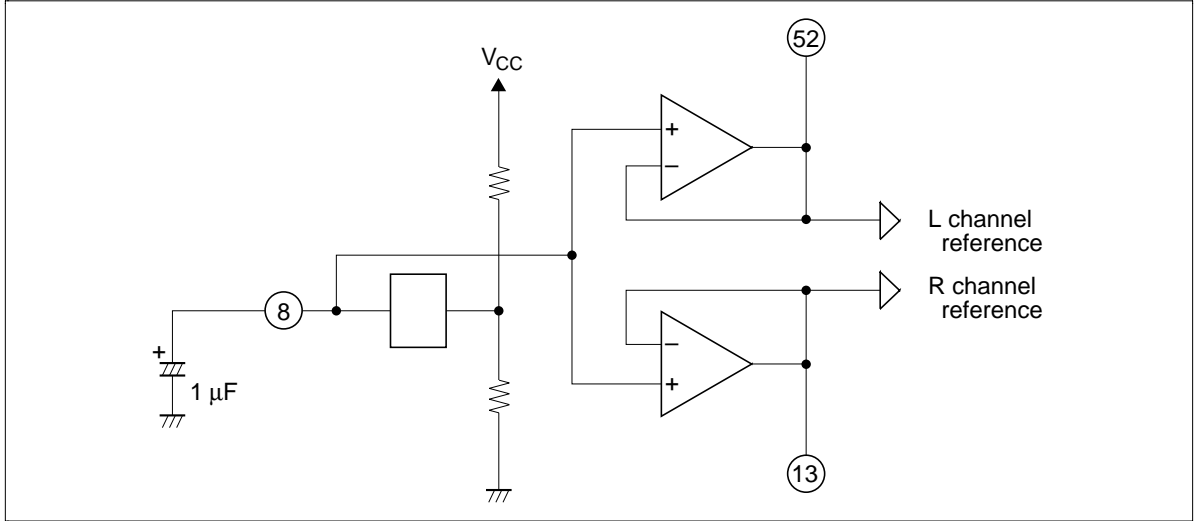


Figure 1 The Block Diagram of Reference Voltage Supply

Operating Mode Control

HA12155NT/HA12157NT provides fully electronic switching circuits. NR-ON/OFF, C/B, and MPX ON/OFF switches are controlled by parallel data (DC voltage) and other switches are controlled by serial data.

Table 2 Threshold Voltage (V_{TH})

Pin No.	Lo	Hi	Unit
1, 2, 3	-0.2 to 1.0	3.5 to 5.3	V
62, 63, 64	-0.2 to 1.0	3.5 to 5.3	V

Notes: 1. Voltages shown above are determined by internal circuits of LSI when take pin 55 (DGND pin) as reference pin. On split supply use, same V_{TH} can be offered by connecting DGND pin to GND pin.

This means that it can be controlled directly by micro processor.

2. Each pins are on pulled down with 100 k Ω internal resistor. Therefore, it will be low-level when each pins ar open.
3. Note on serial data inputting
 - (a) The clock frequency on CLK must be less than 500 kHz.
 - (b) Over shoot level and under shoot level of input signal must be the value shown below.
 - (c) The serial input pins (pins 62, 63, and 64) are extremely sensitive to undershoot, overshoot, ringing, and noise. This can result in malfunctions due to problems with the wiring pattern. We recommend attaching capacitors in parallel with the serial input pins to ameliorate this problem.
Figure 2-b shows an example of this circuit appropriate when the clock frequency is 500 kHz. The value of the capacitor should be set in accordance with the clock frequency actually used.

4. NR Mode Switching

In actual use, pop noises may accompany NR on/off switching in C mode. To avoid these noises, use the following sequences to turn NR on and off.

From C mode NR off to C mode NR on:

(C mode, NR off) \rightarrow (B mode, NR off) \rightarrow (B mode, NR on) \rightarrow (C mode, NR on).

From C mode NR on to C mode NR off:

(C mode, NR on) \rightarrow (B mode, NR on) \rightarrow (B mode, NR off) \rightarrow (C mode, NR off).

Table 3 Switching Truth Table

Pin No.	Lo	Hi
1	NR-OFF	NR-ON
2	B-NR	C-NR
3	MPX-ON	MPX-OFF

- Notes: 1. Low level will be offered when each pins are open.
2. Please refer to next term as for the serial data for formatting.

When connecting microcomputer or Logic-IC with HA12155NT/HA12157NT directly, there is apprehension of rash-current under some transition timing of raising voltage or falling voltage at V_{CC} ON/OFF.

For this countermeasure, connect 10 k Ω to 20 k Ω resistor with each pins. It is shown in test circuit.

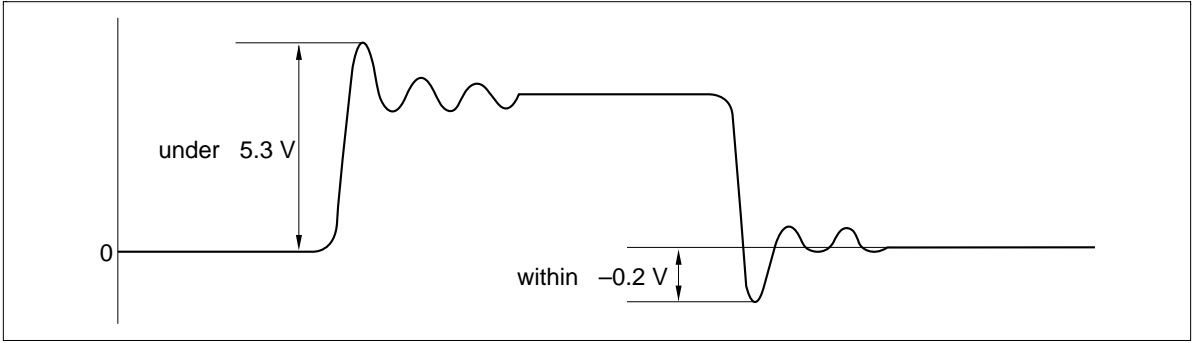


Figure 2 Input Level

Serial Data Formatting

8 bit shift register is employed. CLK and DATA are stored during STB being high and data is latched when STB goes high to low. The clock frequency on CLK must be less than 500 kHz.

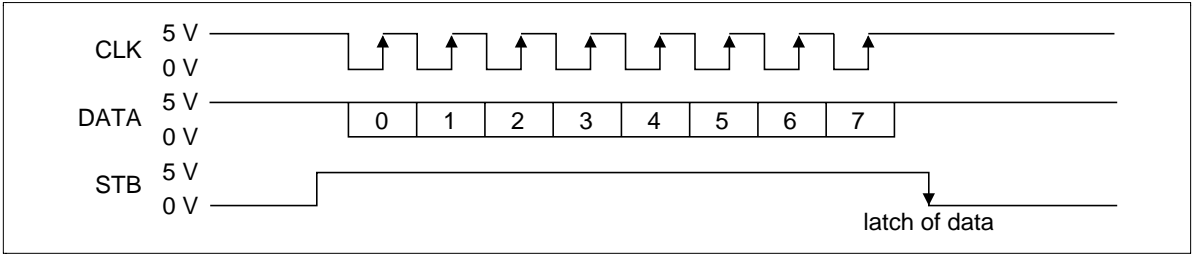
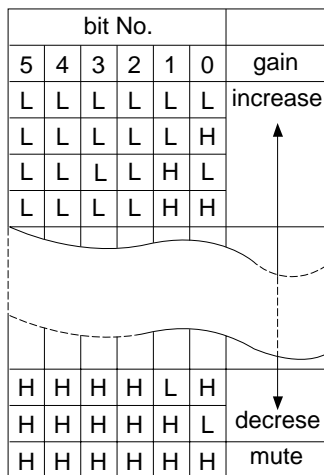


Figure 3 Serial Data Timing Chart

Table 4 Serial Data Formatting

Bit No.	Control register	Volume register																
0	TAPE SELECT 1	<table border="1"> <tr> <td>H</td> <td colspan="2"></td> </tr> <tr> <td>L</td> <td> <table border="1"> <tr> <td>TS1 \ TS2</td> <td>H</td> <td>L</td> </tr> <tr> <td>H</td> <td>TAPE IV</td> <td>TAPE I</td> </tr> <tr> <td>L</td> <td>TAPE II</td> <td>TAPE I</td> </tr> </table> </td> <td></td> </tr> </table>	H			L	<table border="1"> <tr> <td>TS1 \ TS2</td> <td>H</td> <td>L</td> </tr> <tr> <td>H</td> <td>TAPE IV</td> <td>TAPE I</td> </tr> <tr> <td>L</td> <td>TAPE II</td> <td>TAPE I</td> </tr> </table>	TS1 \ TS2	H	L	H	TAPE IV	TAPE I	L	TAPE II	TAPE I		DAC0
H																		
L	<table border="1"> <tr> <td>TS1 \ TS2</td> <td>H</td> <td>L</td> </tr> <tr> <td>H</td> <td>TAPE IV</td> <td>TAPE I</td> </tr> <tr> <td>L</td> <td>TAPE II</td> <td>TAPE I</td> </tr> </table>	TS1 \ TS2	H	L	H	TAPE IV	TAPE I	L	TAPE II	TAPE I								
TS1 \ TS2	H	L																
H	TAPE IV	TAPE I																
L	TAPE II	TAPE I																
1	TAPE SELECT 2	H L	DAC1															
2	TAPE SPEED	H L	High (double) speed selection Normal speed selection	DAC2														
3	METER SENSITIVITY	H L	Meter sensitivity 20 dB up Meter sensitivity normal	DAC3														
4	INPUT SELECT 1	<table border="1"> <tr> <td>H</td> <td colspan="2"></td> </tr> <tr> <td>L</td> <td> <table border="1"> <tr> <td>IS1 \ IS2</td> <td>H</td> <td>L</td> </tr> <tr> <td>H</td> <td>PB I</td> <td>VR I</td> </tr> <tr> <td>L</td> <td>RP I</td> <td>VR I</td> </tr> </table> </td> <td></td> </tr> </table>	H			L	<table border="1"> <tr> <td>IS1 \ IS2</td> <td>H</td> <td>L</td> </tr> <tr> <td>H</td> <td>PB I</td> <td>VR I</td> </tr> <tr> <td>L</td> <td>RP I</td> <td>VR I</td> </tr> </table>	IS1 \ IS2	H	L	H	PB I	VR I	L	RP I	VR I		DAC4
H																		
L	<table border="1"> <tr> <td>IS1 \ IS2</td> <td>H</td> <td>L</td> </tr> <tr> <td>H</td> <td>PB I</td> <td>VR I</td> </tr> <tr> <td>L</td> <td>RP I</td> <td>VR I</td> </tr> </table>	IS1 \ IS2	H	L	H	PB I	VR I	L	RP I	VR I								
IS1 \ IS2	H	L																
H	PB I	VR I																
L	RP I	VR I																
5	INPUT SELECT 2	H L	DAC 5															
6	REC/PB	H L	PB mode selection REC mode selection	R/L SELECT H L	Rch register selection Lch register selection													
7	REGISTER SELECT	H L	Control register selection Volume register selection	REGISTER SELECT														



*mute is implemented when all bits are high.

Note: TAPE I: Normal tape, TAPE II: Chrome tape, TAPE IV: Metal tape

Input Block Diagram and Level Diagram

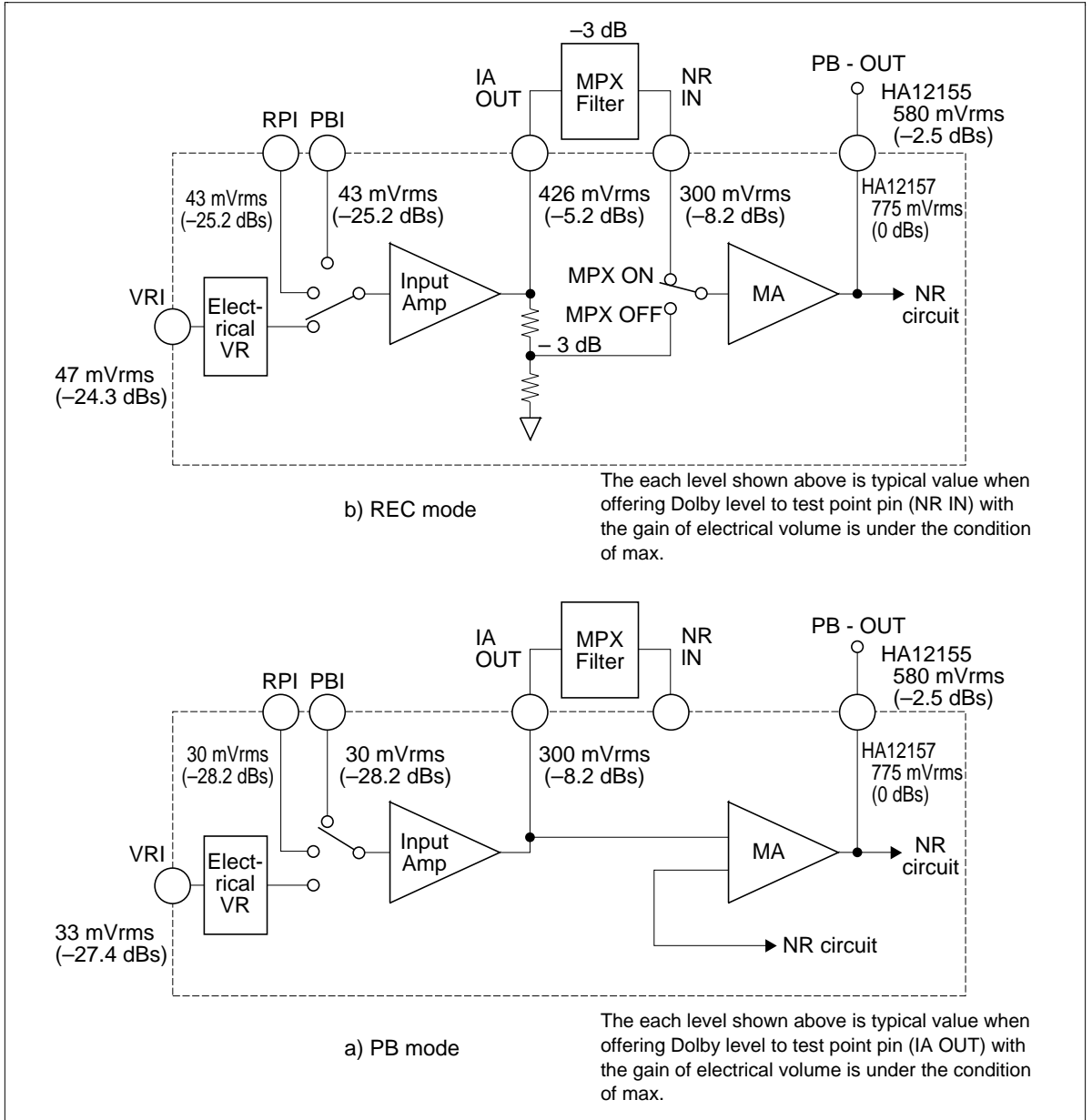


Figure 4 Input Block Diagram

MPX ON/OFF Switch

MPX-OFF mode means that signal from input amp doesn't go through the MPX filter, but signal goes through the SS circuit after being attenuated 3 dB by internal resistor. Refer to figure 5. For not cause any level difference between MPX-ON mode and MPX-OFF mode, it is requested to use MPX-filter which has definitely 3 dB attenuated. MPX-OFF mode offer totally flat frequency response and no bias-trap effect. And when applying other usage except figure 5, take consideration to give bias voltage to NR-IN terminal by resistor or so on because internal of NR-IN terminal hsa no bias resistor.

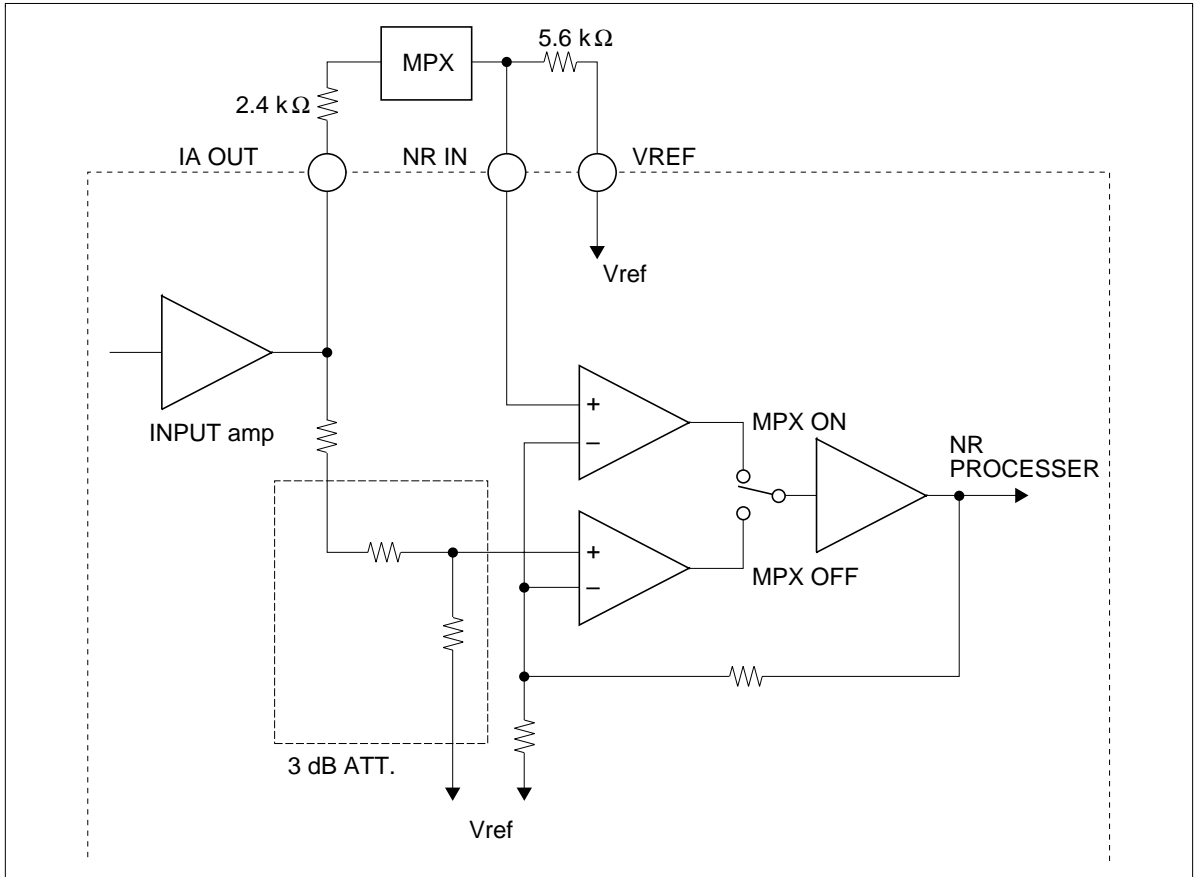


Figure 5 MPX ON/OFF Switch Block Diagram

Application as for the Dubbing Cassette Deck

HA12155NT/HA12157NT series has unprocessor signal from recording out terminals during playback mode. So, it is simply applied for dubbing cassette decks.

And HA12155NT/HA12157NT has three input terminal. So, it is applicable to switch the signal from PB-EQ as shown below.

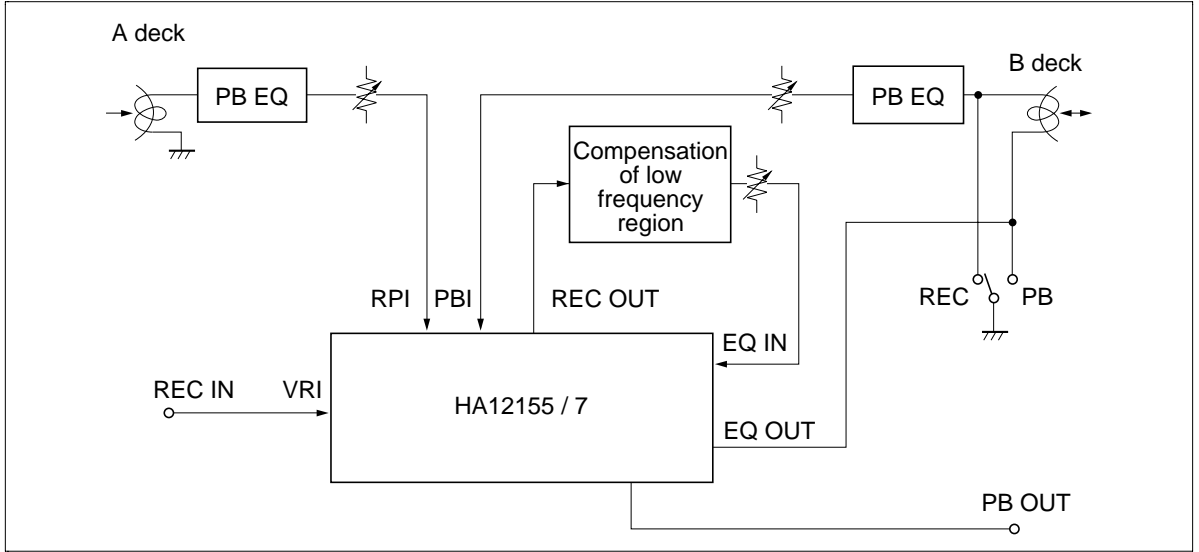


Figure 6 Application for Dubbing Deck

Injector Current

HA12155NT/HA12157NT has logic circuit which is fabricated by I^2L into IC. To operate this circuit, it is required enough injector current. Injector current goes into from the INJ pin (pin 10) and external resistor is required to connect to this pin for adequate current. The value of external resistor is obtained by using following equations. And put them with $\pm 10\%$ tolerance value which is calculated. V_{INJ} can allow to connect to V_{CC} shown below. Under the condition of high temperature, the mis-operation of logic is caused by large injector current. Also, under the condition of low temperature, the stop of logic is caused by small injector current. Therefore, pay attention to have good stability of V_{INJ} .

$$R_{INJ} = \frac{V_{INJ} - 0.7}{3.6} \quad [k\Omega] \text{ ---- Single supply}$$

$$R_{INJ} = \frac{V_{INJ} + V_{EE} - 0.7}{3.6} \quad [k\Omega] \text{ ---- Split supply}$$

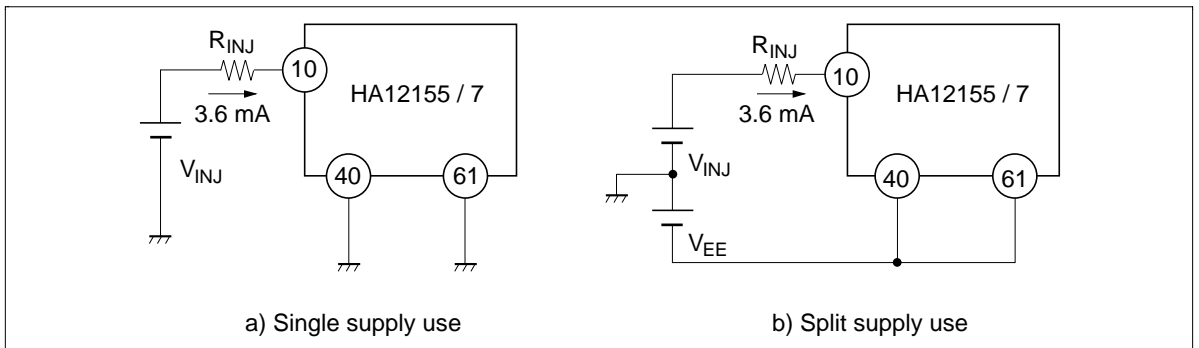


Figure 7 Injector Current Application

Gain Control of Electronic Volume

HA12155NT/HA12157NT is designed in order to change the gain by 6 bit DAC fabricated into IC. To reduce the click noise when changing volume gain instantaneously, required to connect the capacitor (CR time constant) to CNT pin (pin 6,59). These terminals are also be used as output pin of DAC. Therefore, by forcing voltage or current to these terminals, it is applicable to control volume gain directly. But, voltage forced to these terminals must be from $V_{cc}/2 - 2\text{ V}$ to $V_{cc}/2$ (for split supply use, -2 V to 0 V) in this case. In case of forcing the current these pins, voltage must be the value mentioned above even it is $\pm 20\%$ distributed of internal resistor ($5.2\text{ k}\Omega$) of CNT pin. And, these case, change of a gain depending on a temperature gets large.

The Tolerances of External Components for Dolby NR-Block

For adequate Dolby NR tracking response, take external components shown below.

For smooth capacitors of C13, C14, C25 and C26, please employ a few object of the leak, though you can be useful for an electrolytic capacitor.

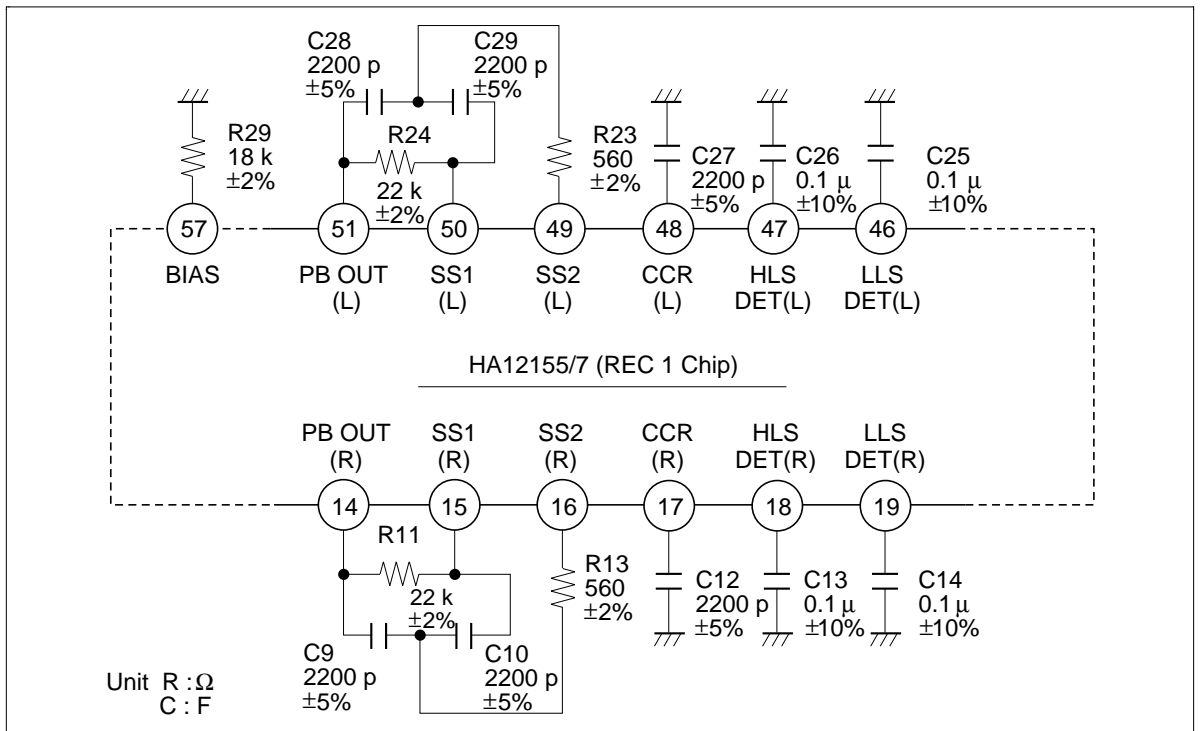


Figure 8 Tolerances of External Components

Level Meter

The coupling capacitor of LMIN pin (21 pin and 44 pin).

For these capacitors please employ a small object of the leak.

The Application of Equalizer Frequency Response

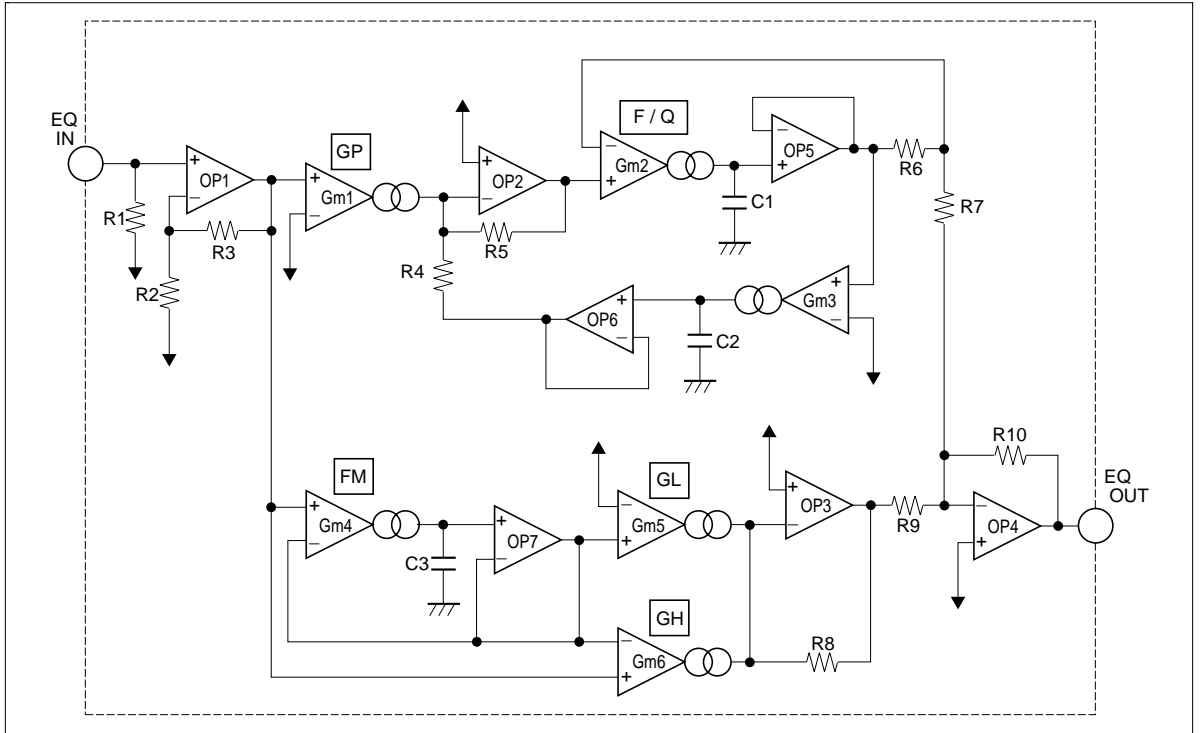


Figure 9 REC Equalizer Block Diagram

Transfer Function:

$$\frac{V_{out}}{V_{in}} = \frac{R_2 + R_3}{R_2} \left(G_{m5} \frac{R_8 \cdot R_{10}}{R_9} \frac{1 + \frac{C_3}{G_{m4}} \frac{G_{m6}}{G_{m5}} S}{1 + \frac{C_3}{G_{m4}} S} + G_{m1} \frac{R_4 \cdot R_{10}}{R_6 + R_7} \frac{\frac{C_2}{G_{m3}} S}{1 + \frac{R_4}{R_5} \frac{R_7}{R_6 + R_7} \frac{C_2}{G_{m3}} S + \frac{R_4}{R_5} \frac{C_1}{G_{m2}} \frac{C_2}{G_{m3}} S^2} \right)$$

$$= \frac{4.16}{R_{REF}} \left(R_{GL} \frac{1 + 6.67 \times 10^{-10} \frac{R_{FM} \cdot R_{GH}}{R_{GL}} \cdot S}{1 + 6.67 \times 10^{-10} \frac{R_{GL}}{R_{FM}} \cdot S} + R_{GP} \frac{3.0 \times 10^{-10} \cdot R_{FQ} \cdot S}{1 + 4.5 \times 10^{-11} \cdot R_{FQ} \cdot S + 2.5 \times 10^{-20} \cdot R_{FQ} \cdot R_{F/Q} S^2} \right)$$

* R_{REF} -----25 pin bias resistance

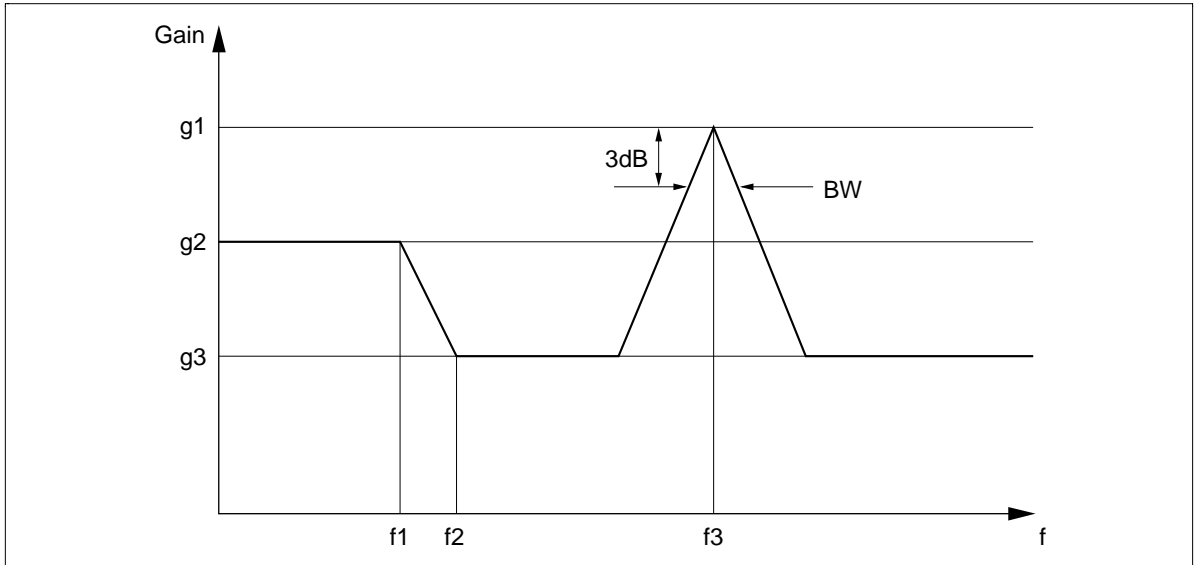


Figure 10 REC Equalizer Frequency Response

$$g1 = \frac{4.16}{R_{REF}} (6.67 \times R_{GP} + R_{GH})$$

$$g2 = \frac{4.16 \times R_{GL}}{R_{REF}}$$

$$g3 = \frac{4.16 \times R_{GH}}{R_{REF}}$$

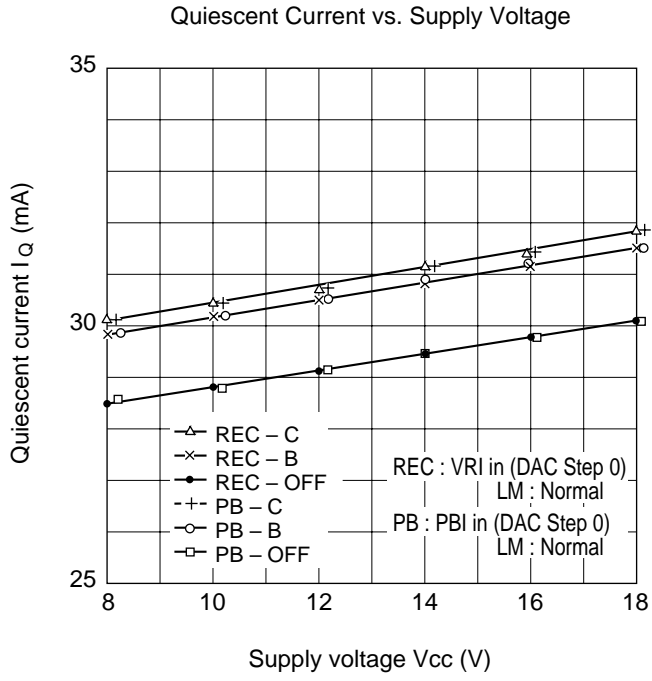
$$f1 = \frac{1}{2\pi \times 6.67 \times 10^{-10} \times R_{FM}}$$

$$f2 = \frac{R_{GL}}{2\pi \times 6.67 \times 10^{-10} \times R_{FM} \times R_{GH}}$$

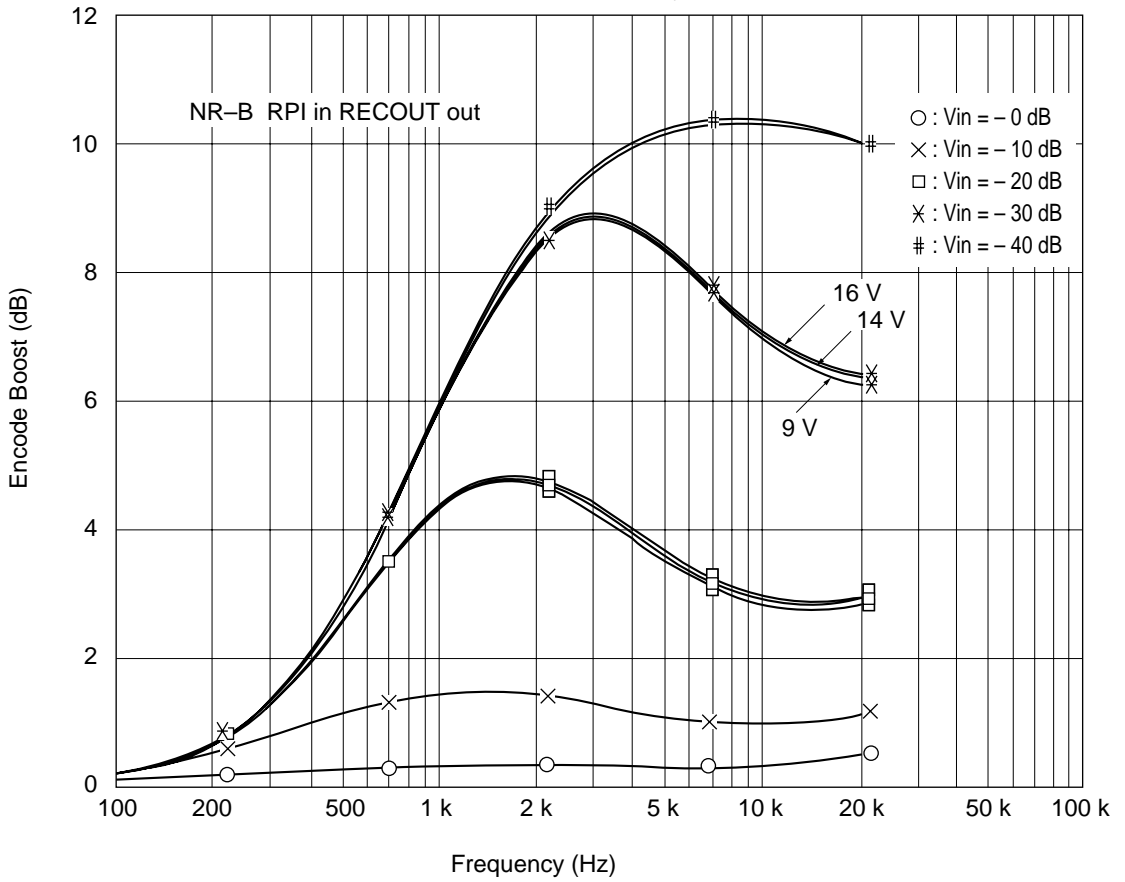
$$f3 = \frac{1}{2\pi} \cdot \frac{0.3}{\sqrt{2.25 \times 10^{-21} \times R_{FQ} \times R_{F/Q}}}$$

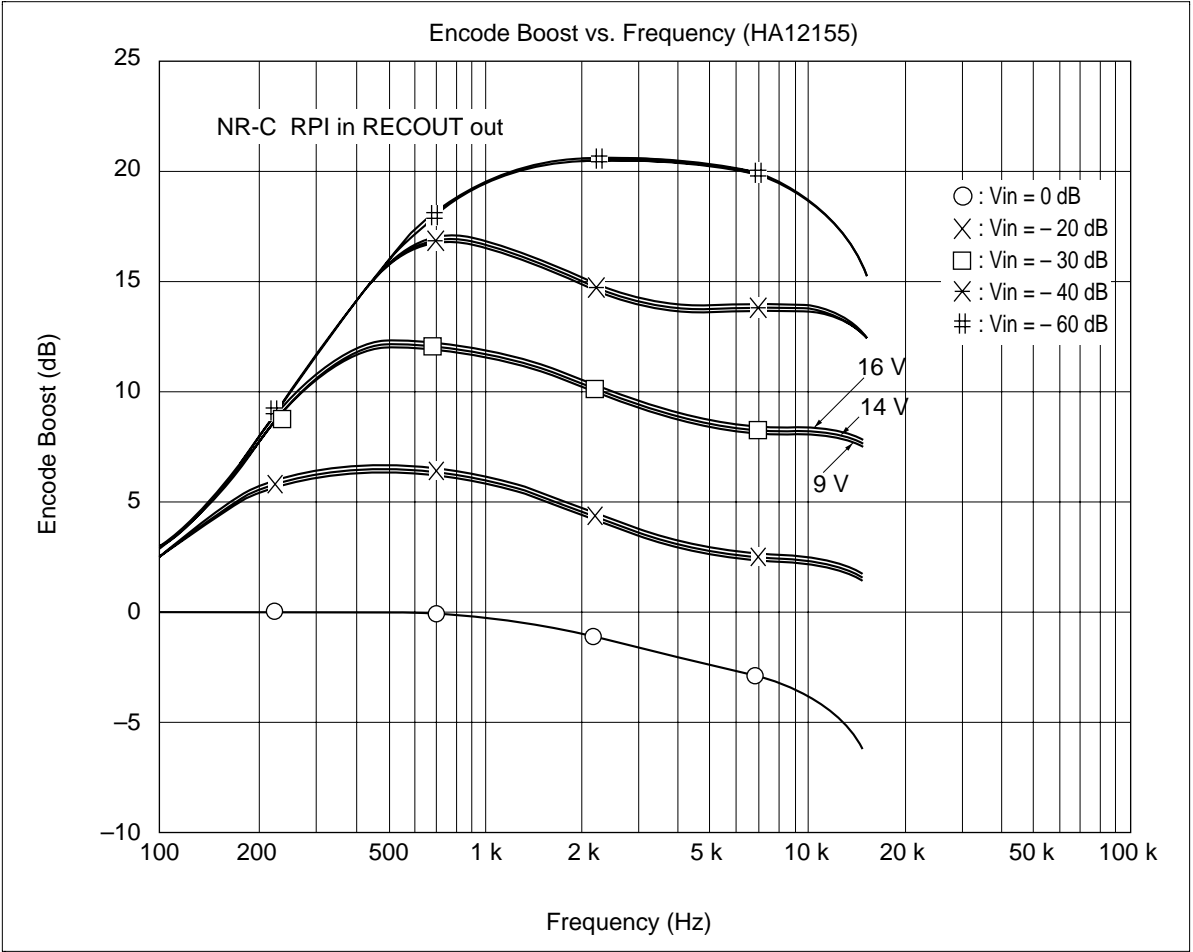
$$BW = \frac{1}{4\pi \times 2.78 \times 10^{-10} \times R_{F/Q}}$$

$$Q = \frac{f3}{BW} = 3.51 \times \sqrt{\frac{R_{F/Q}}{R_{F/Q}}}$$

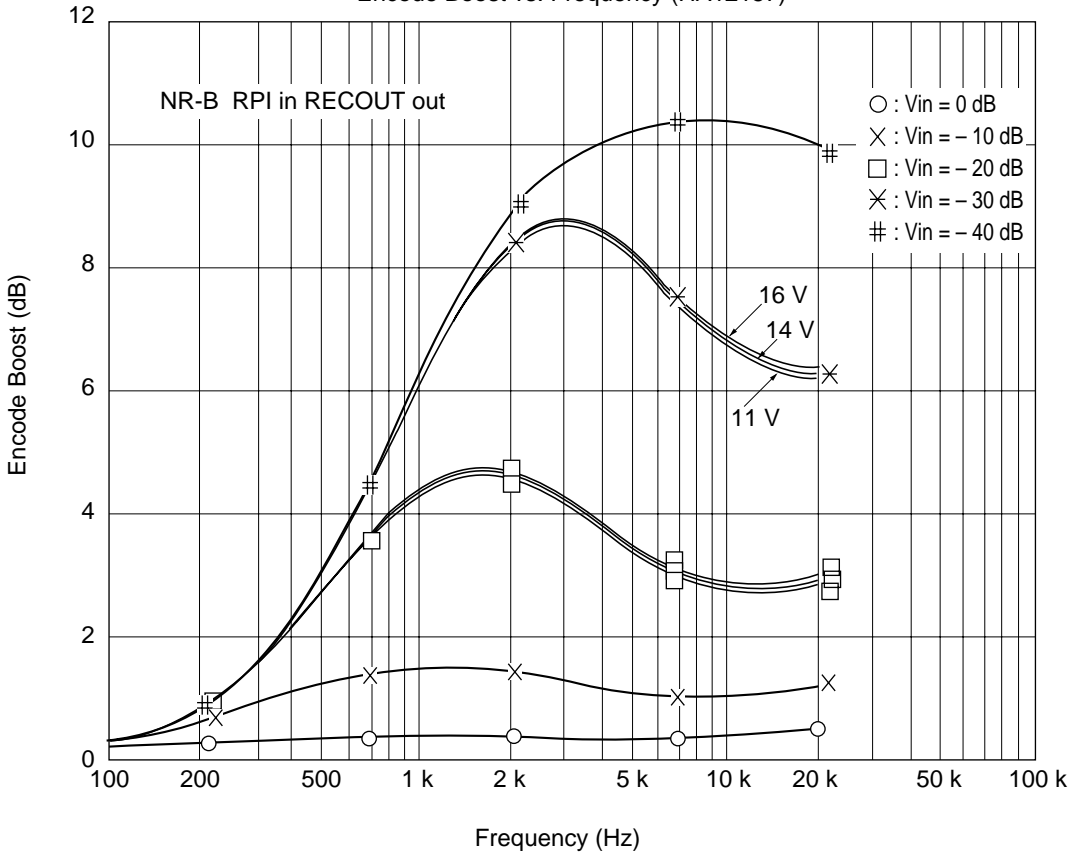


Encode Boost vs. Frequency (HA12155)

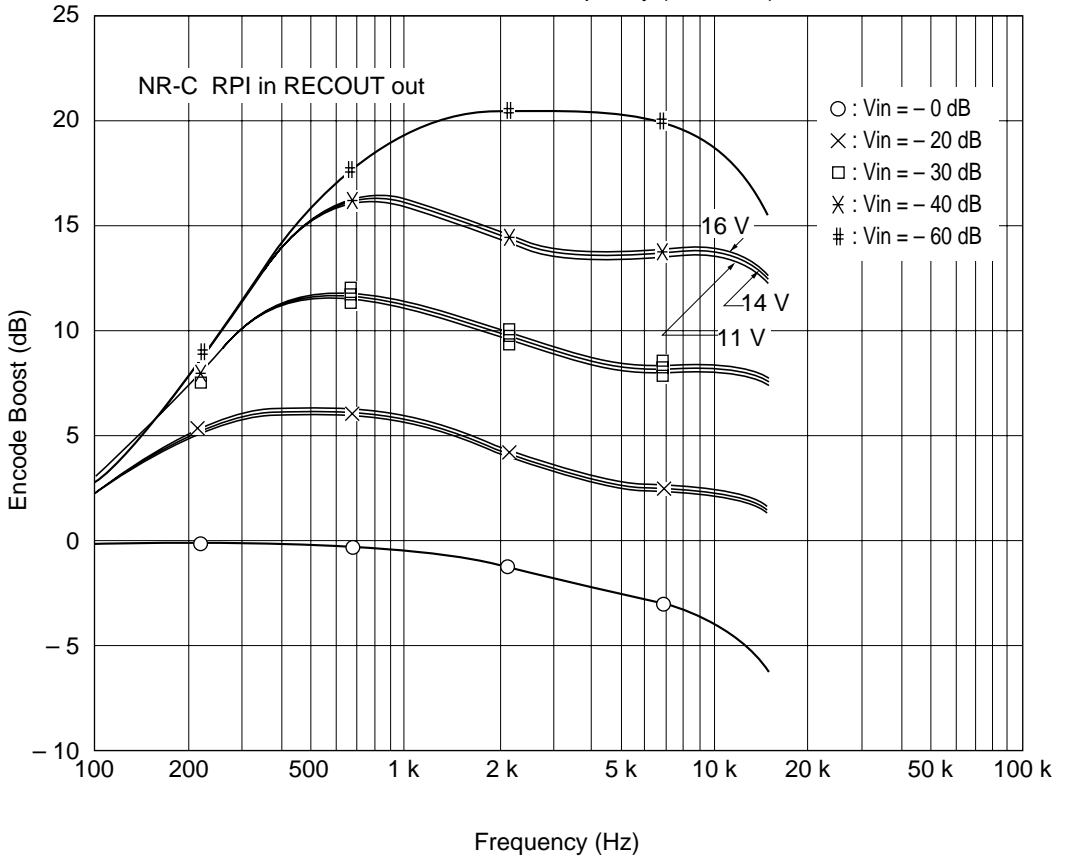


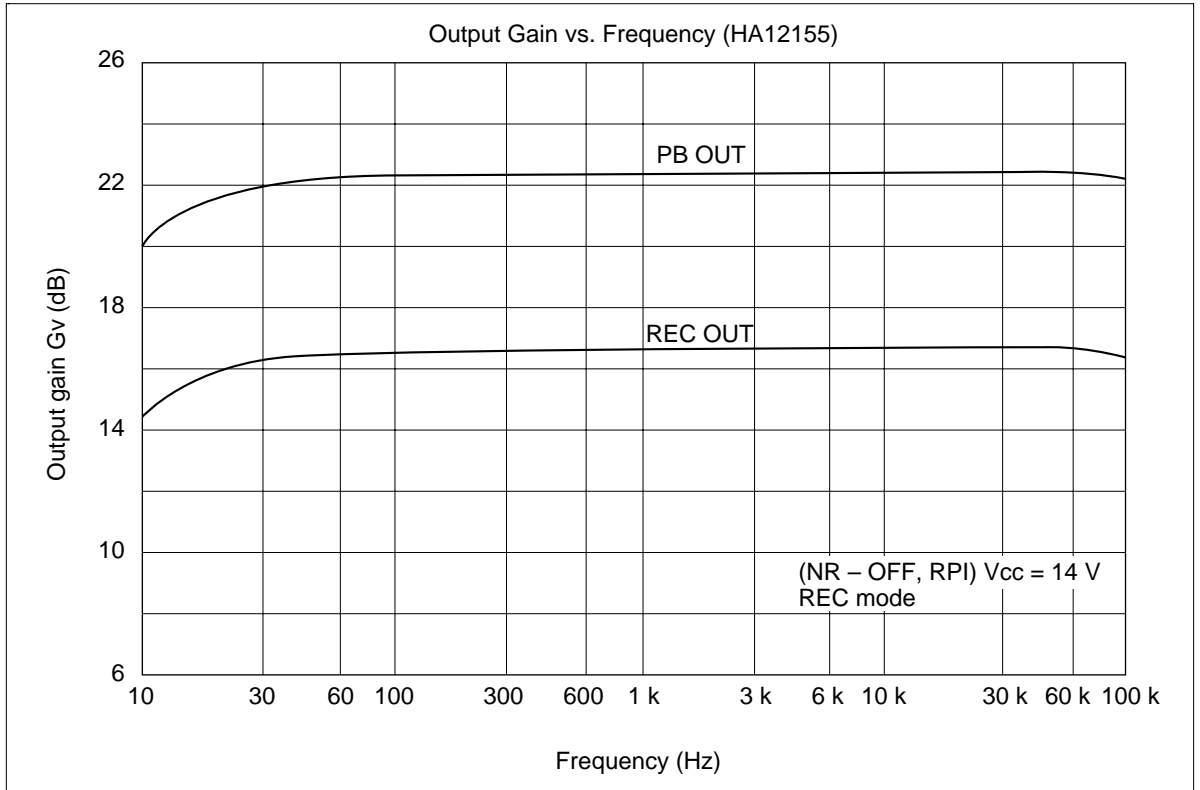


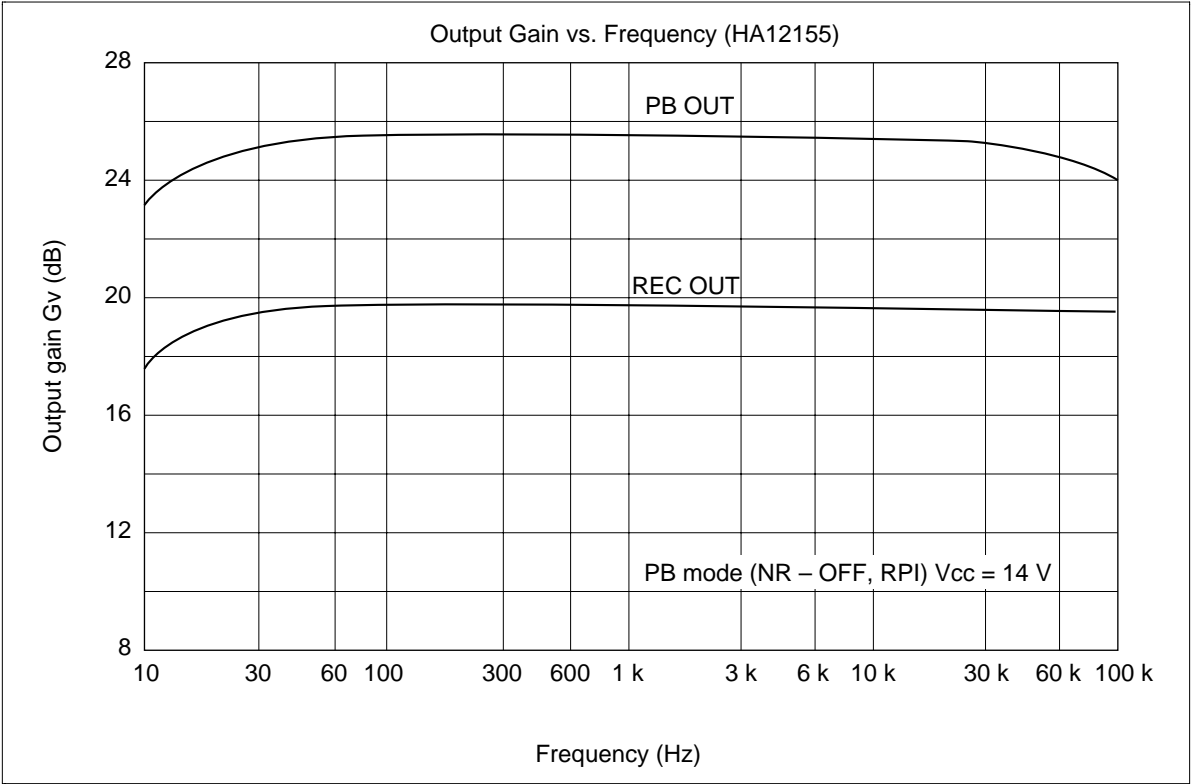
Encode Boost vs. Frequency (HA12157)

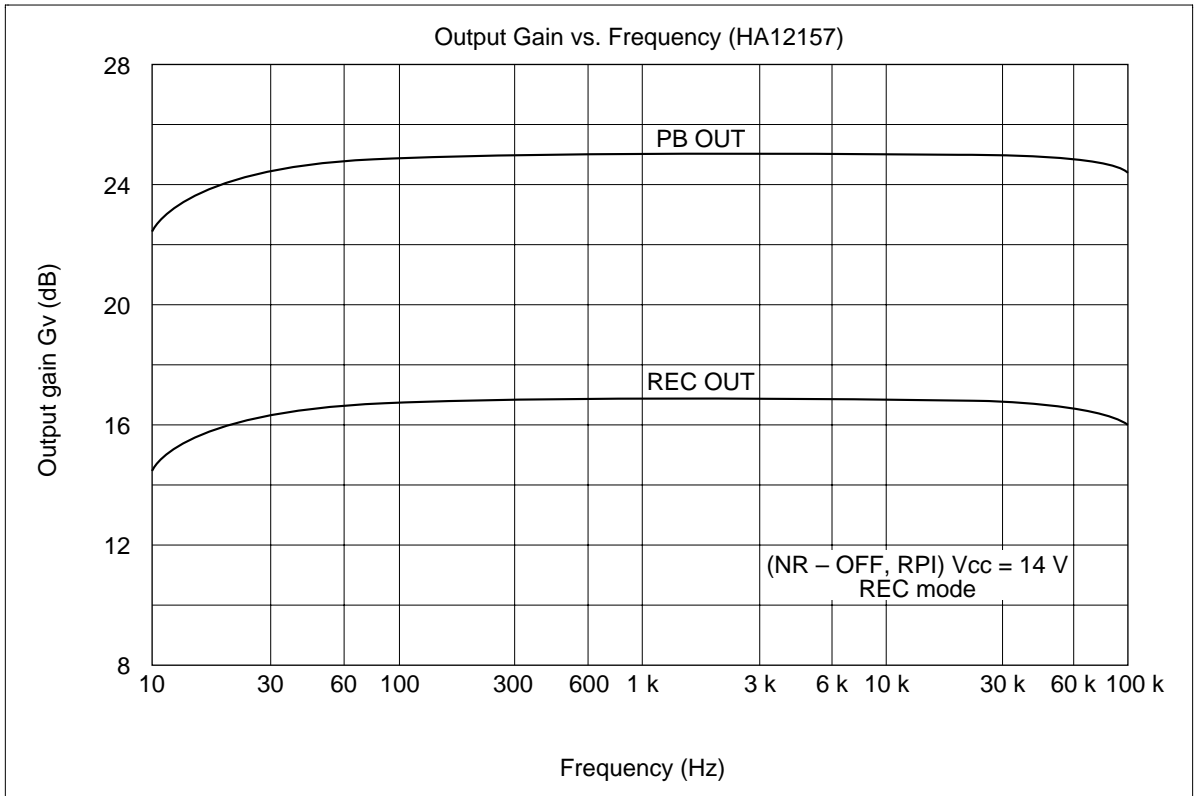


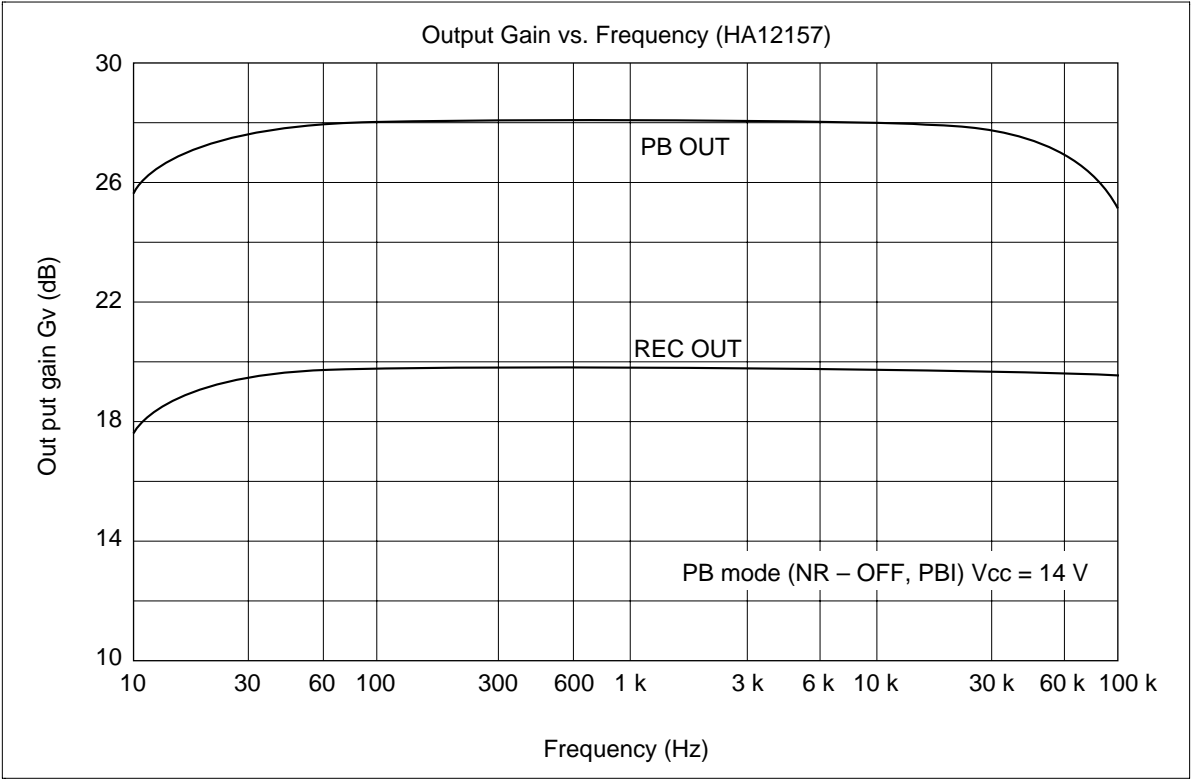
Encode Boost vs. Frequency (HA12157)



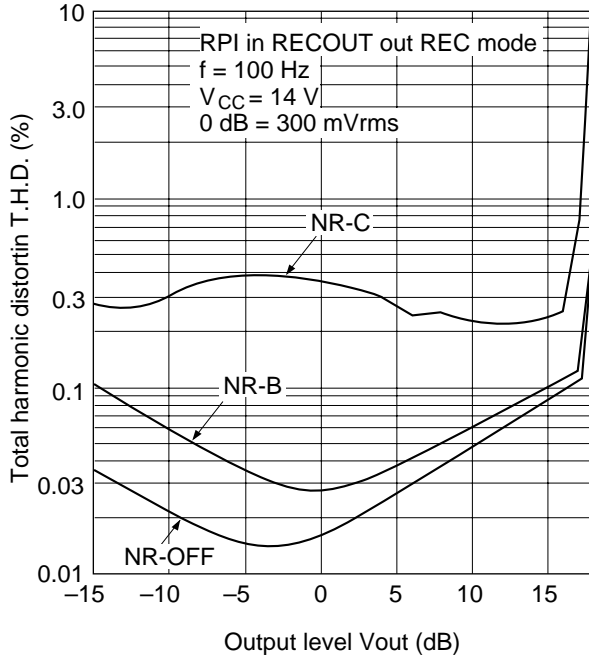




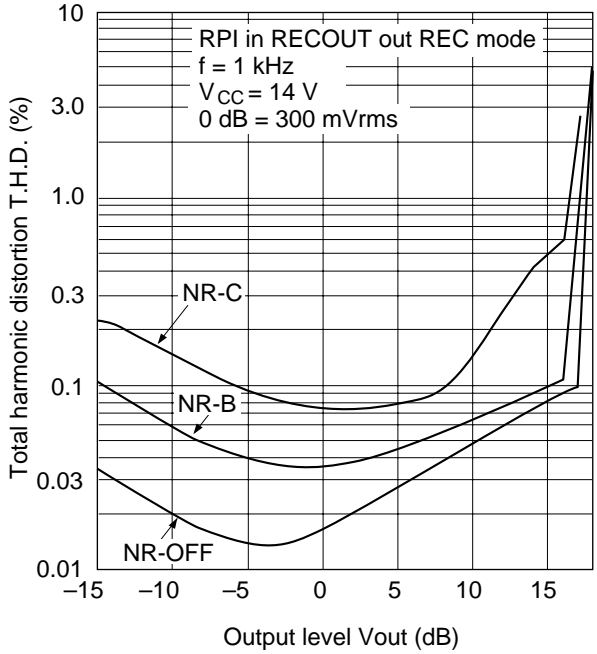


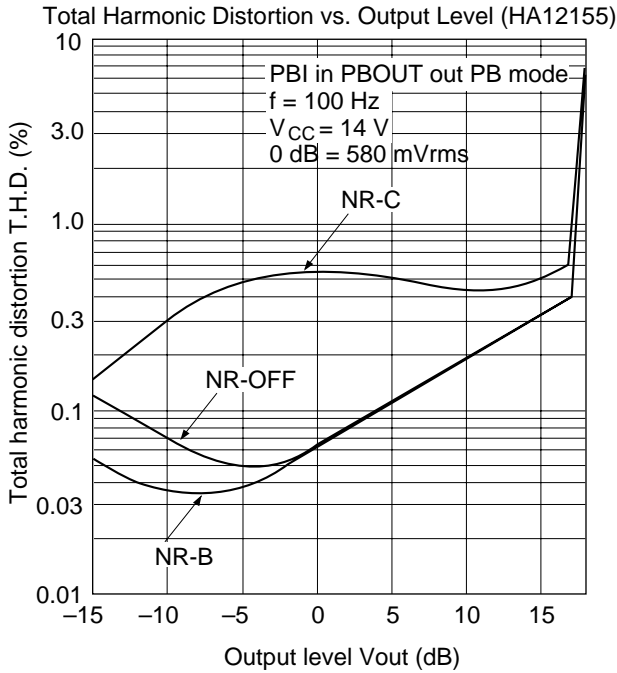
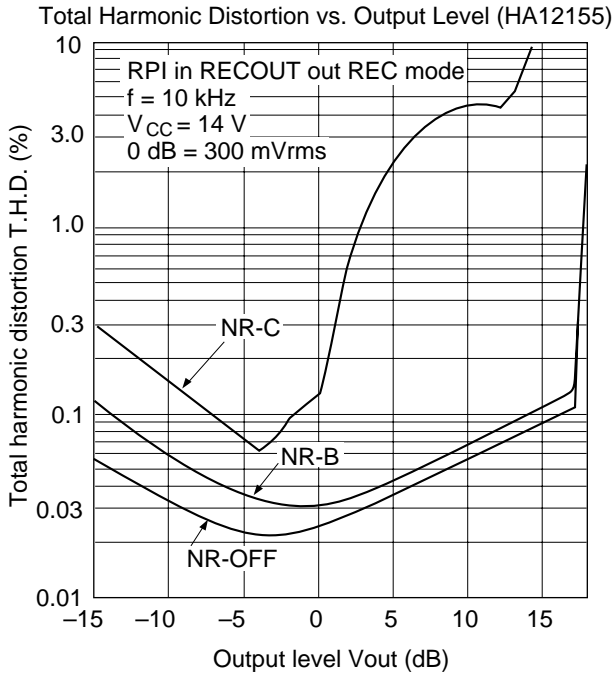


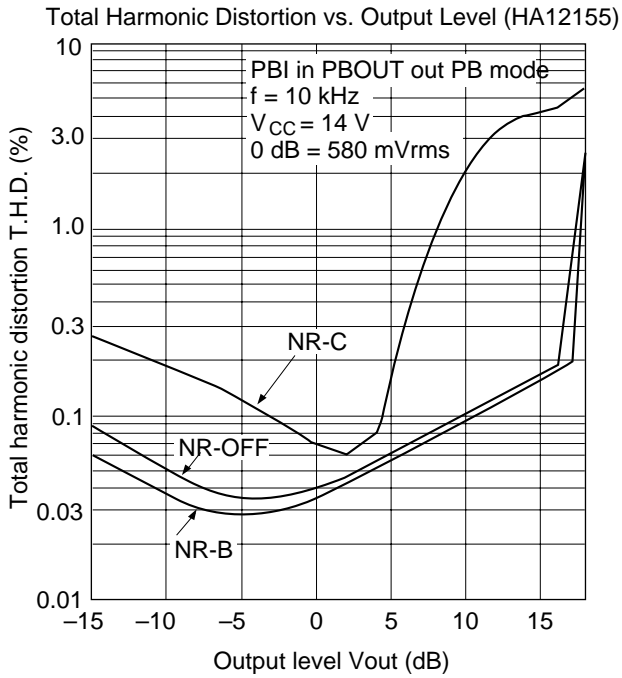
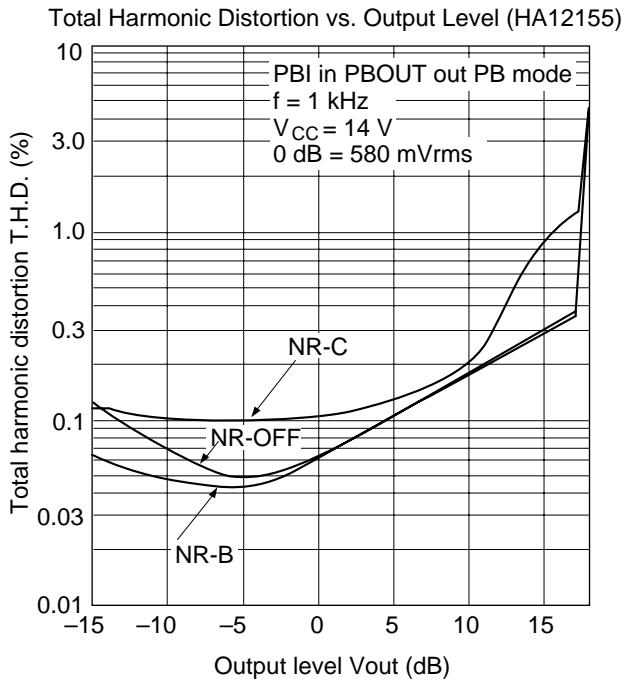
Total Harmonic Distortion vs. Output Level (HA12155)

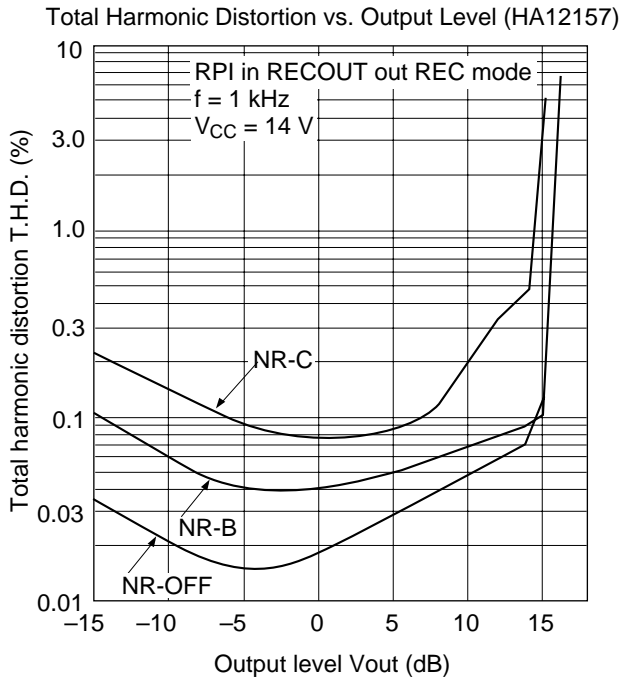
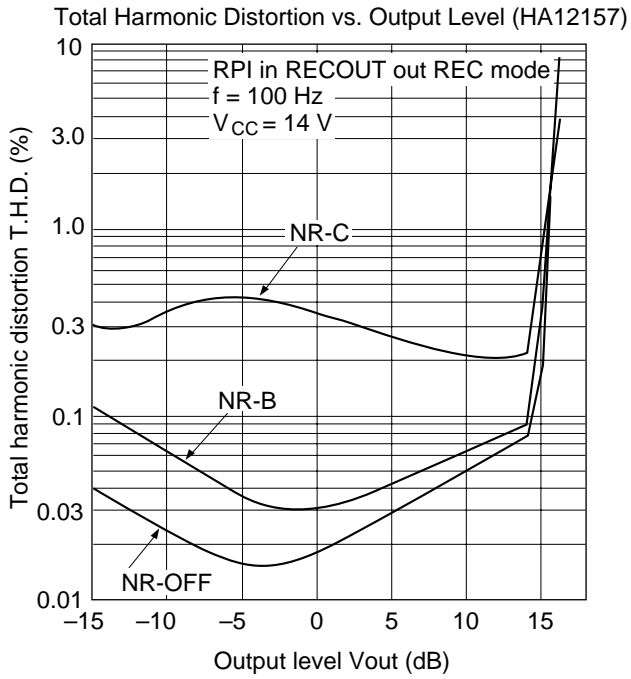


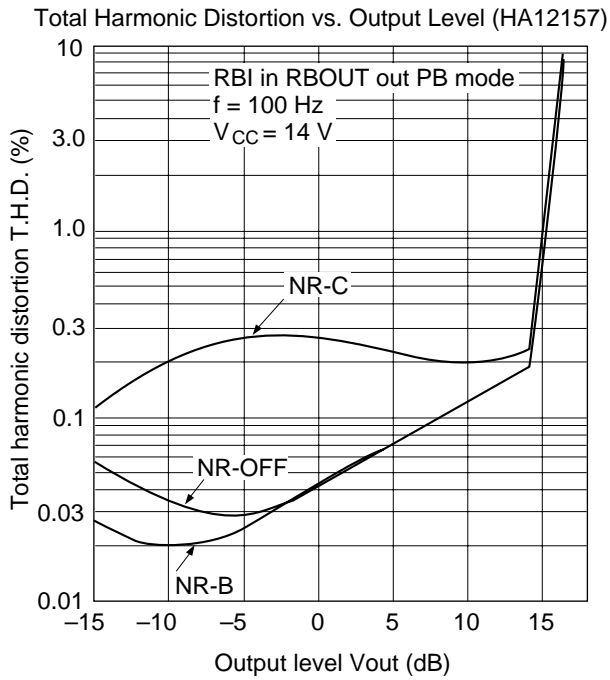
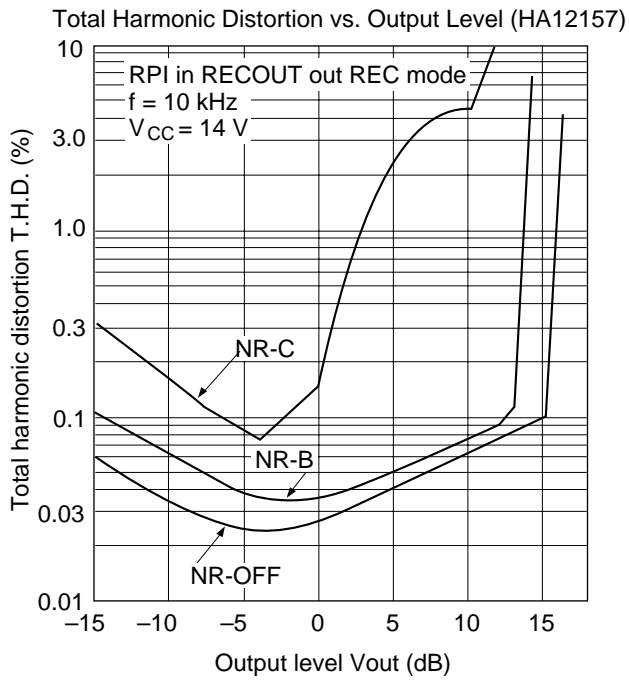
Total Harmonic Distortion vs. Output Level (HA12155)

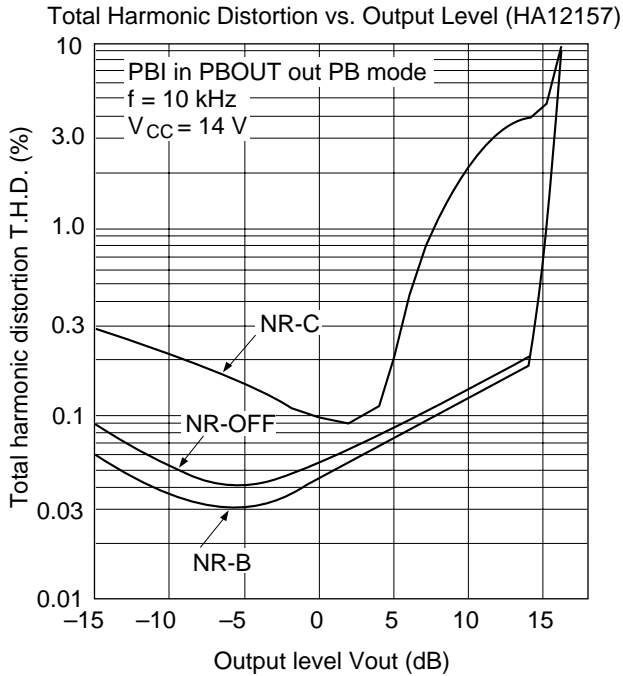
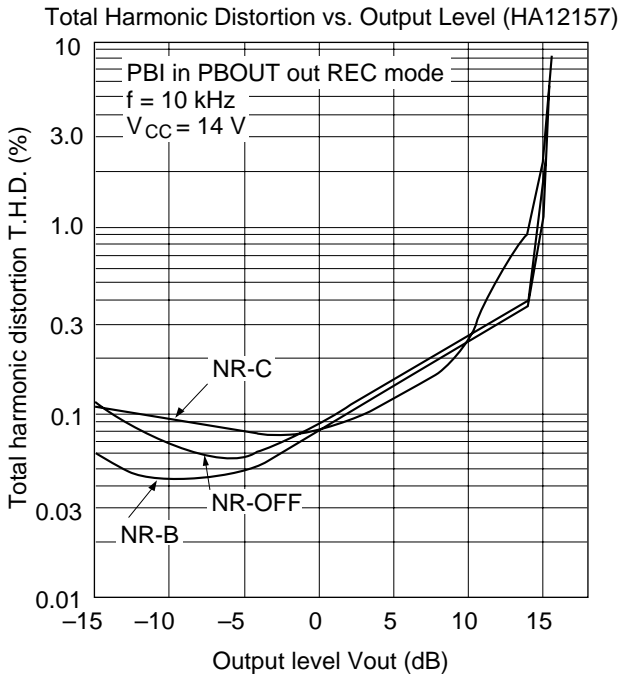


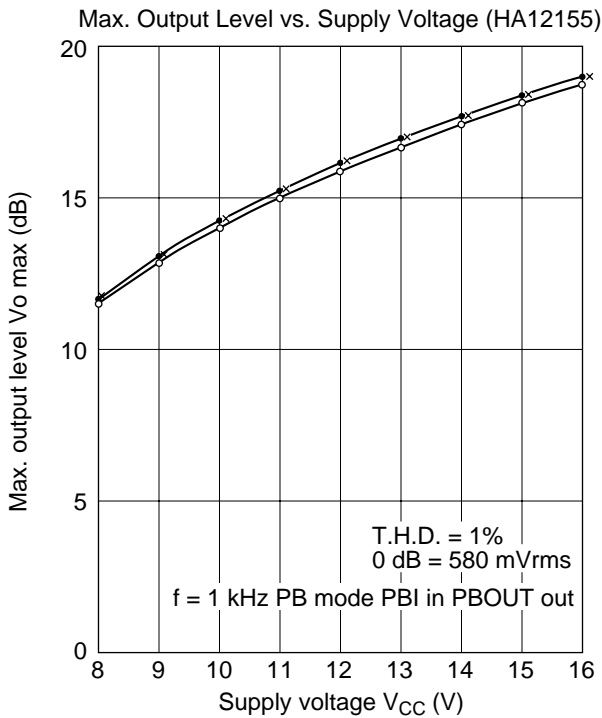
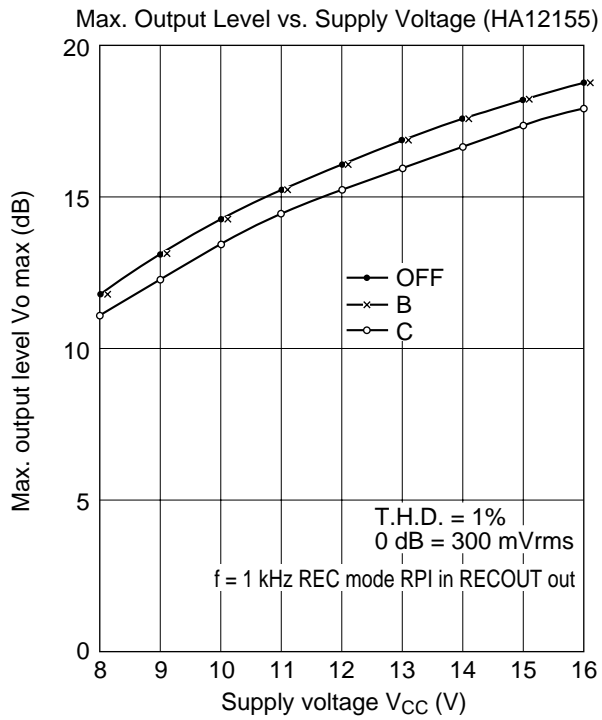




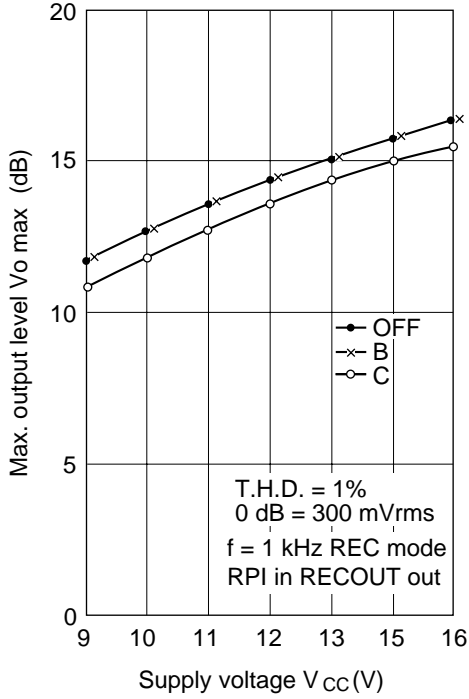




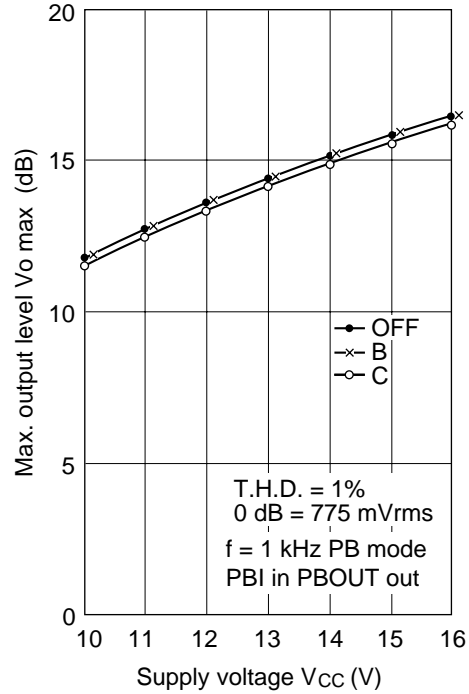




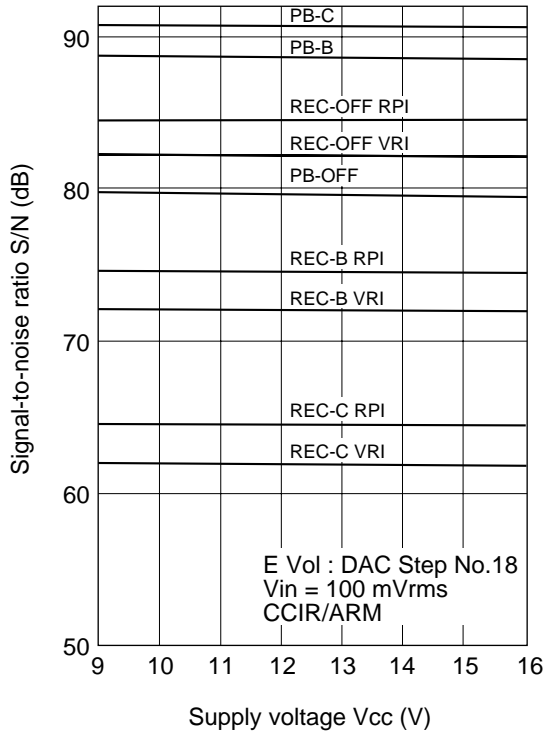
Max. Output Level vs. Supply Voltage (HA12157)



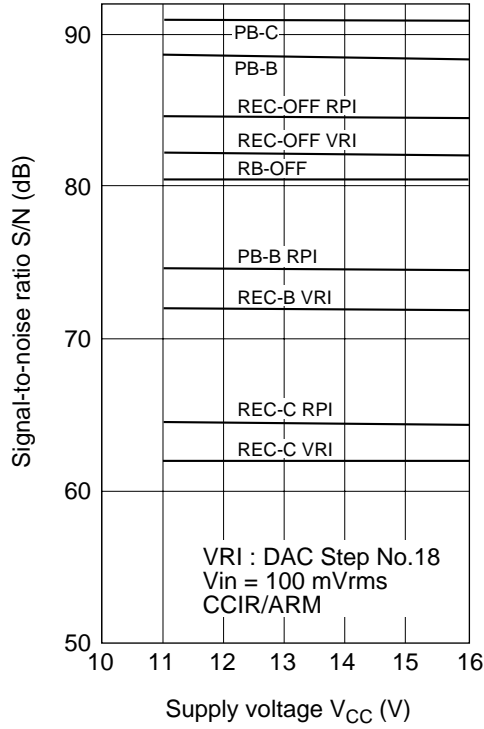
Max. Output Level vs. Supply Voltage (HA12157)



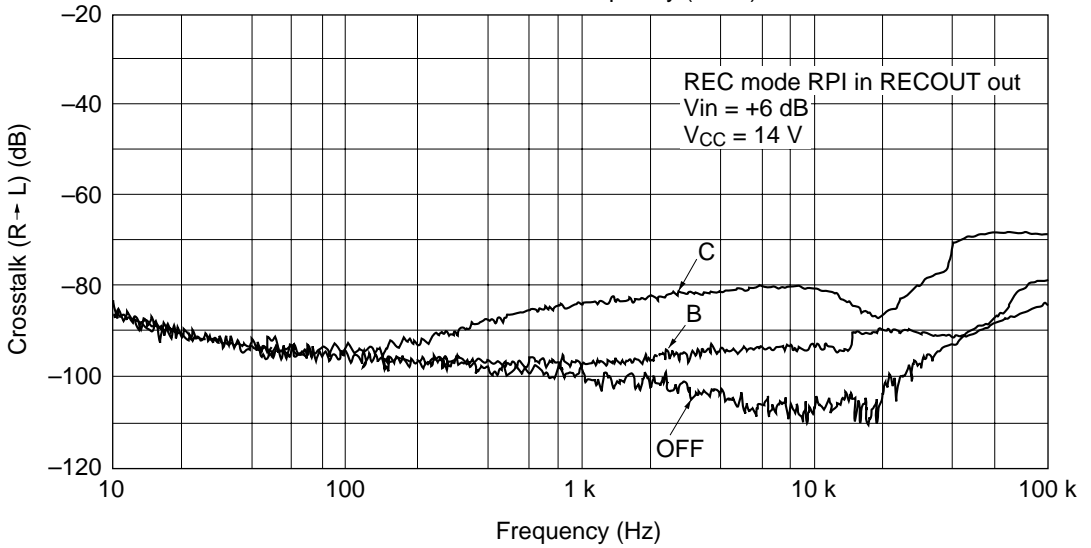
Signal-to-Noise Ratio vs. Supply Voltage (HA12155)

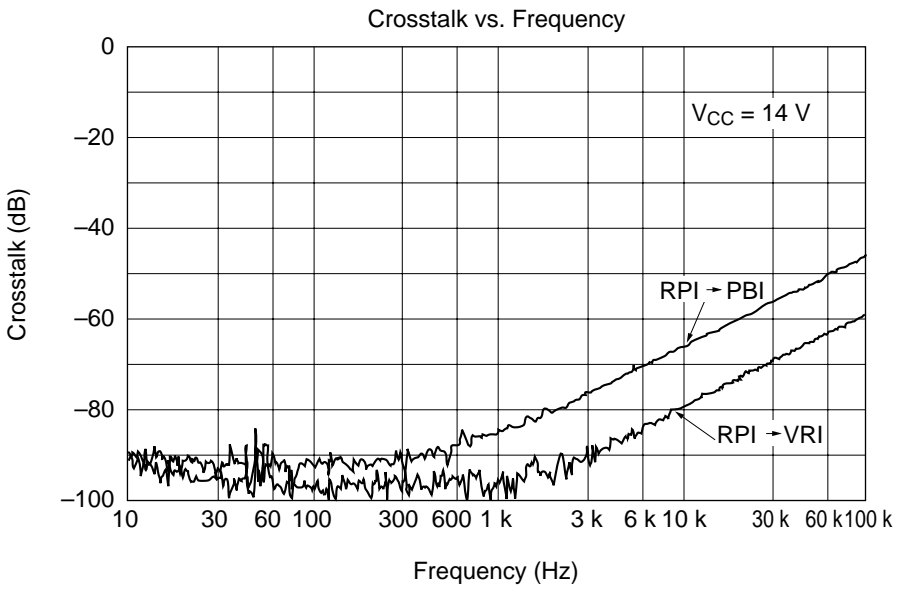
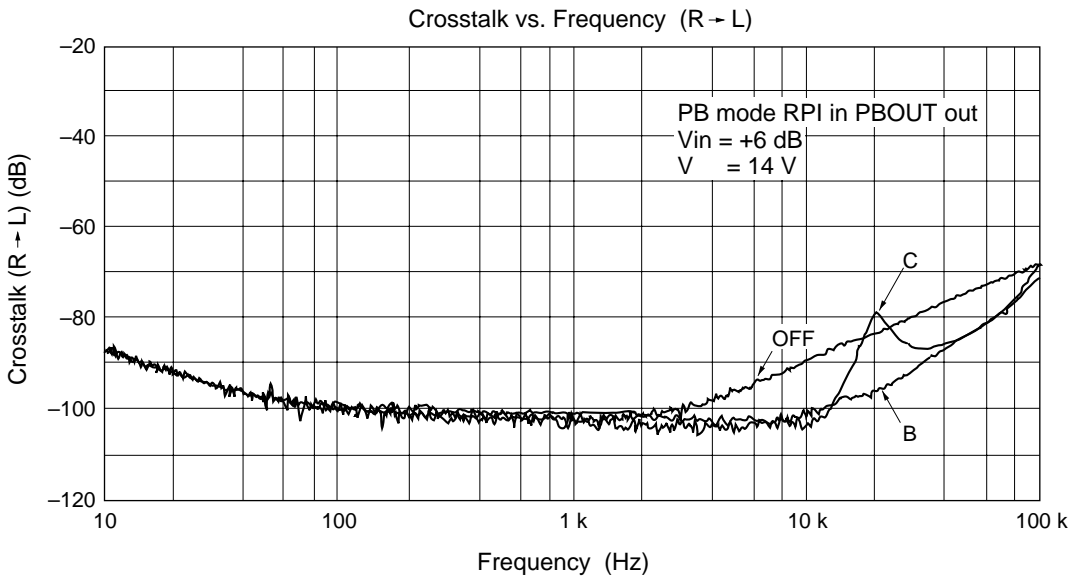


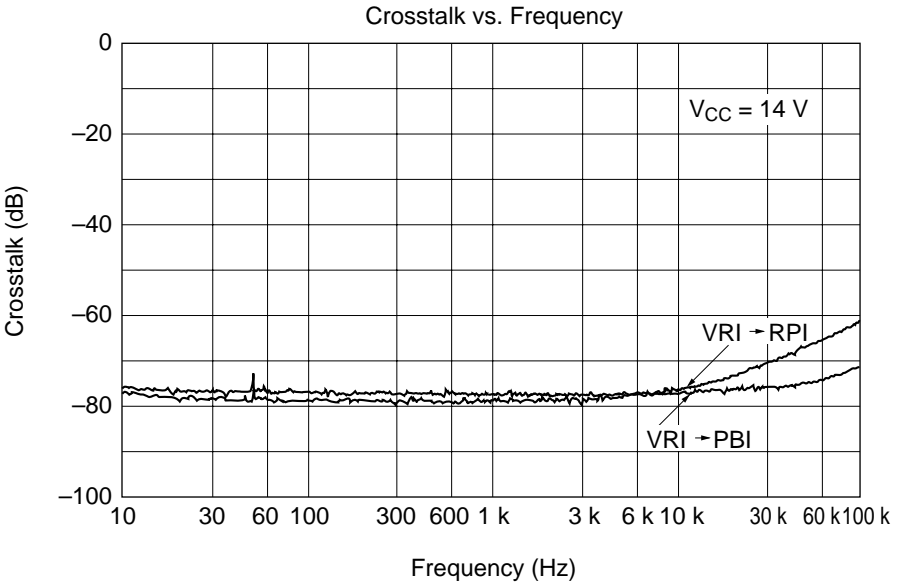
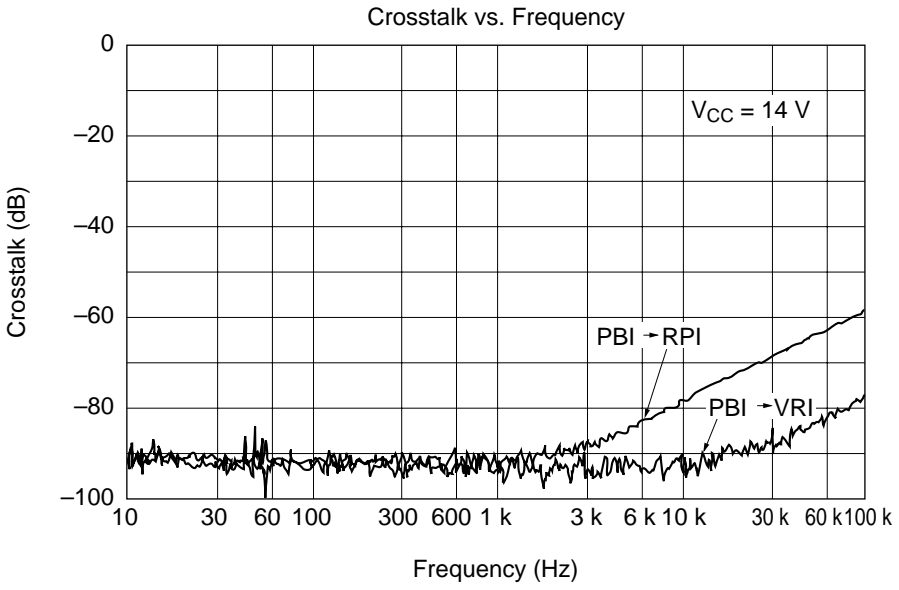
Signal-to-Noise Ratio vs. Supply Voltage (HA12157)

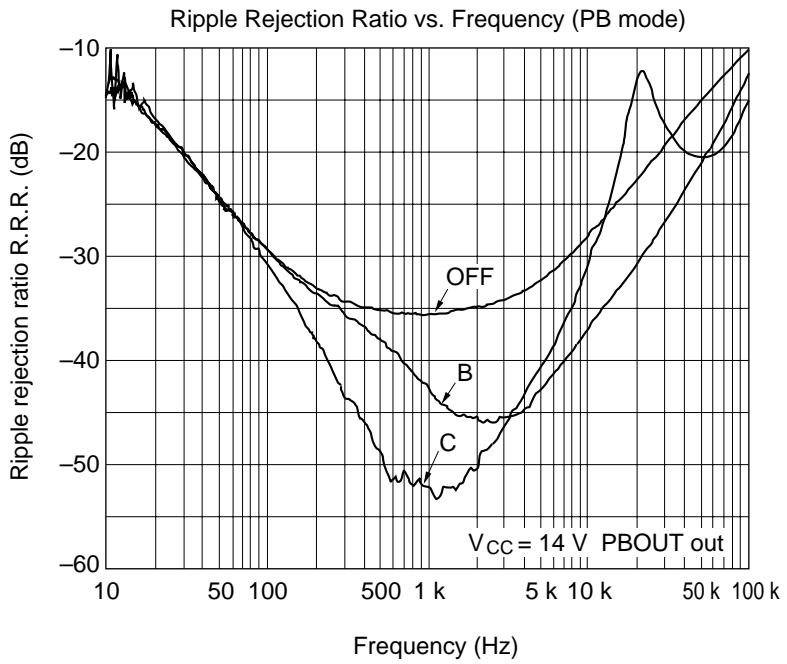
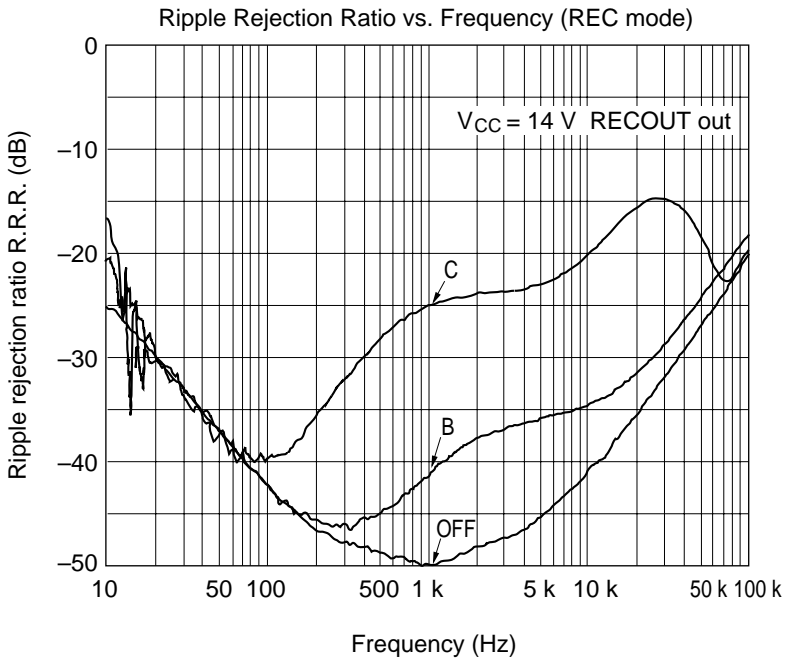


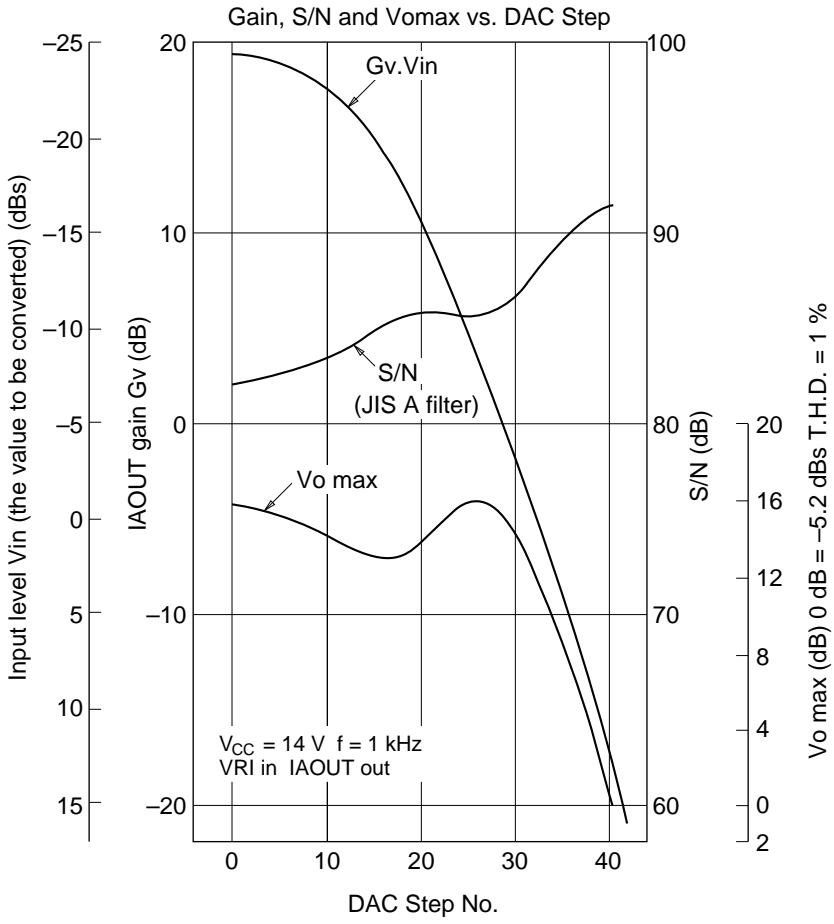
Crosstalk vs. Frequency (R → L)

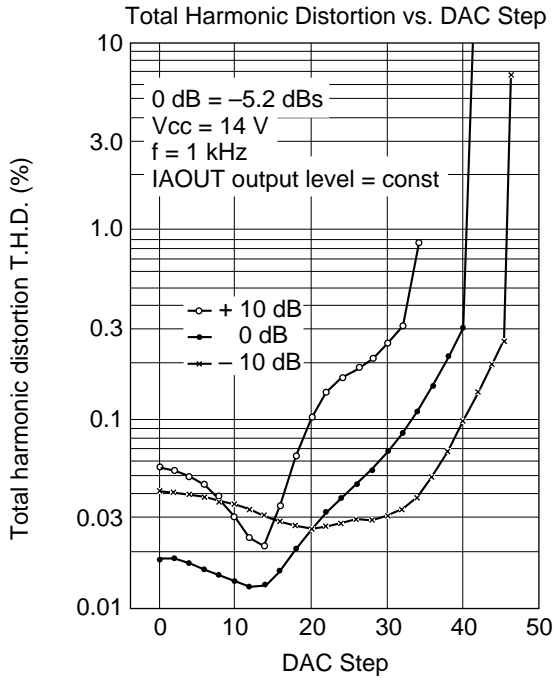
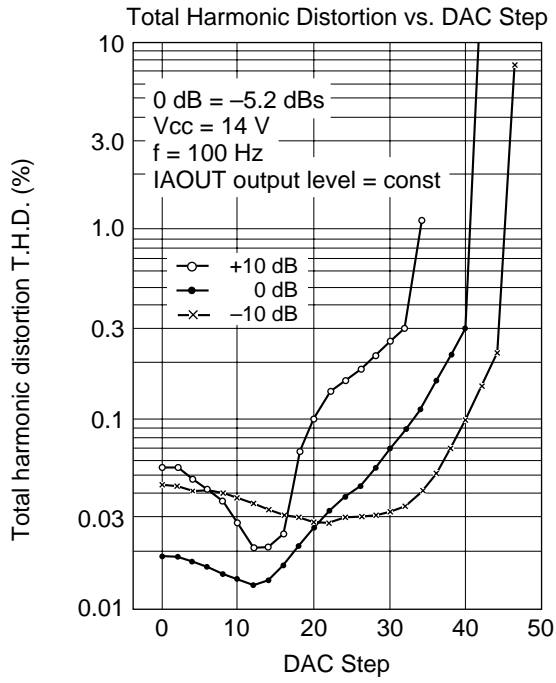


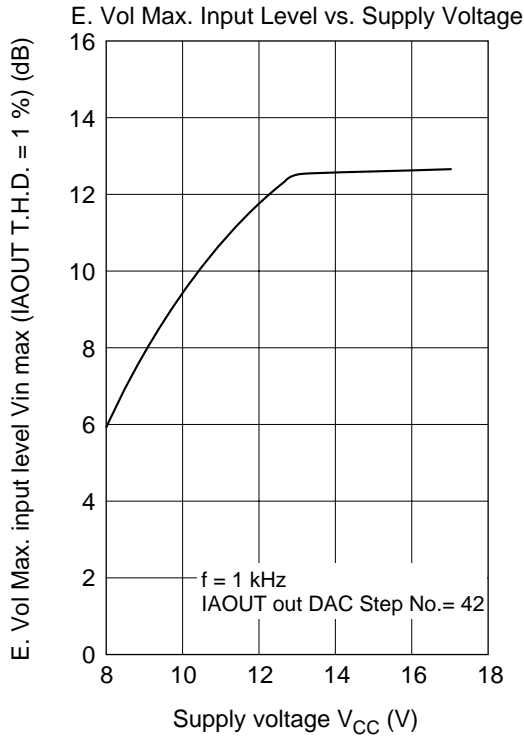
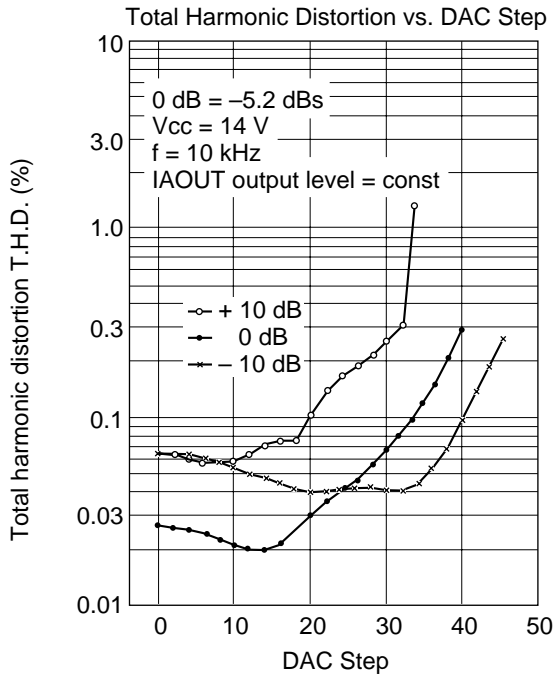


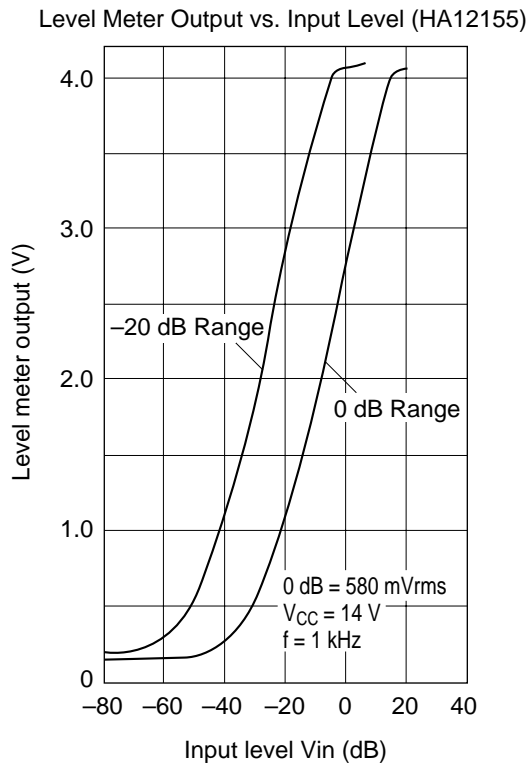
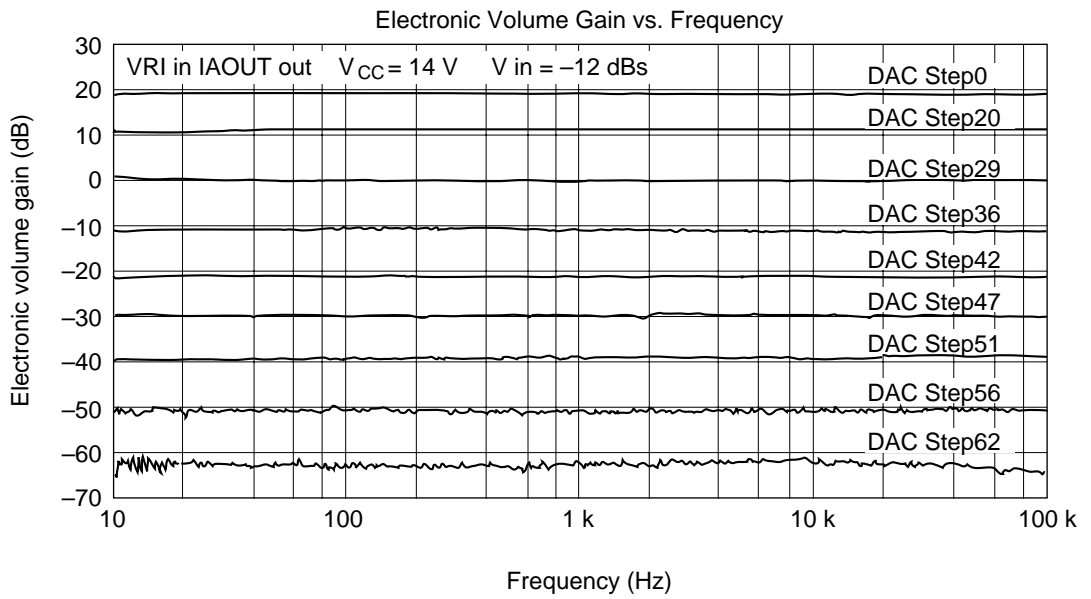




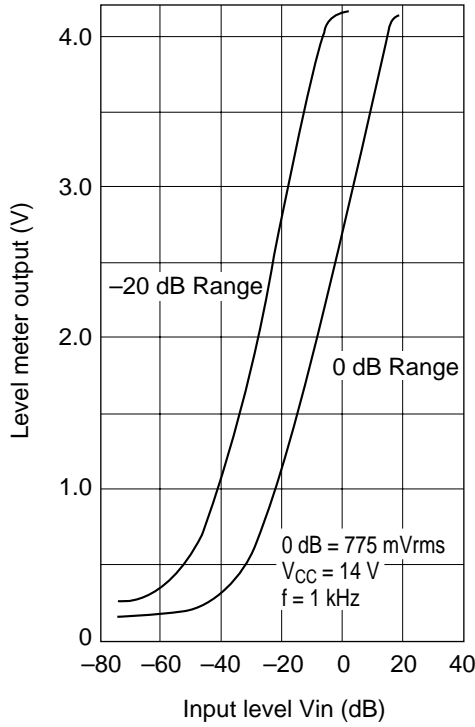




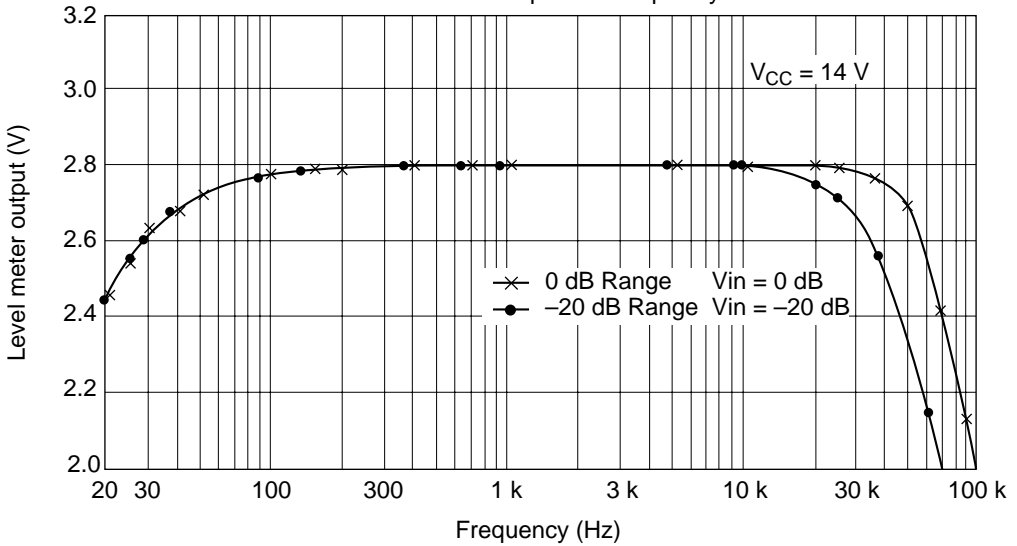




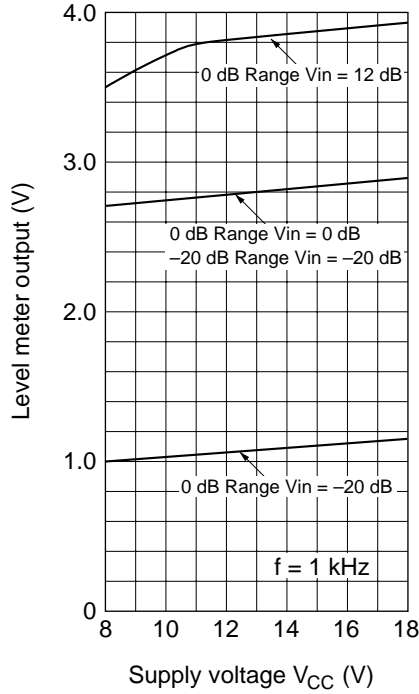
Level Meter Output vs. Input Level (HA12157)



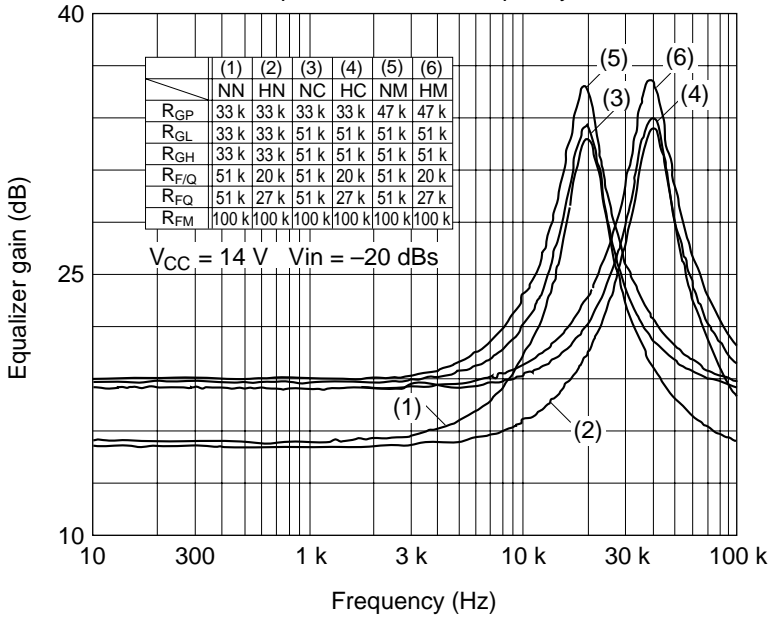
Level Meter Output vs. Frequency

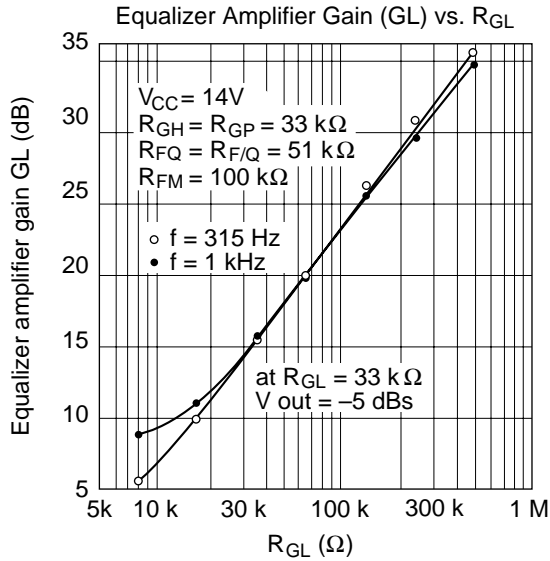
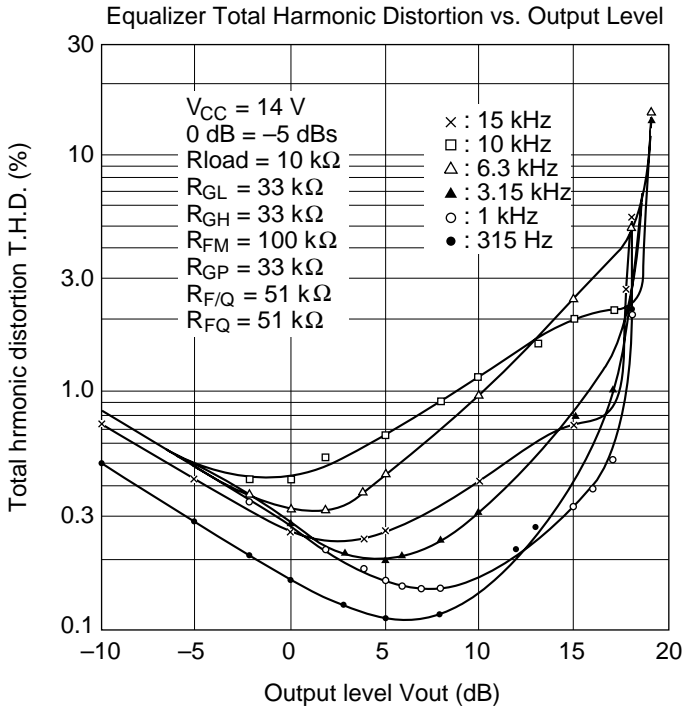


Level Meter Output vs. Supply Voltage

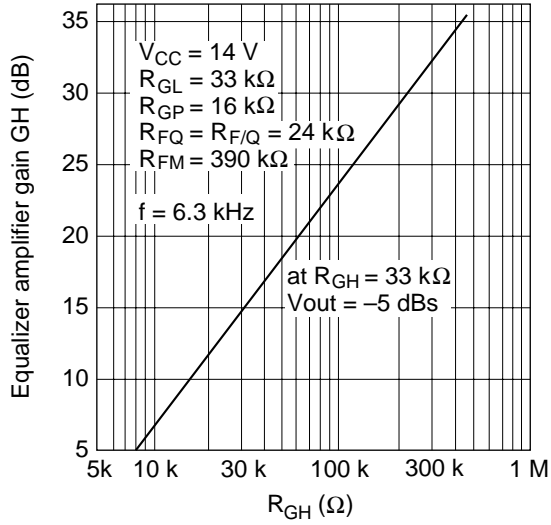


Equalizer Gain vs. Frequency

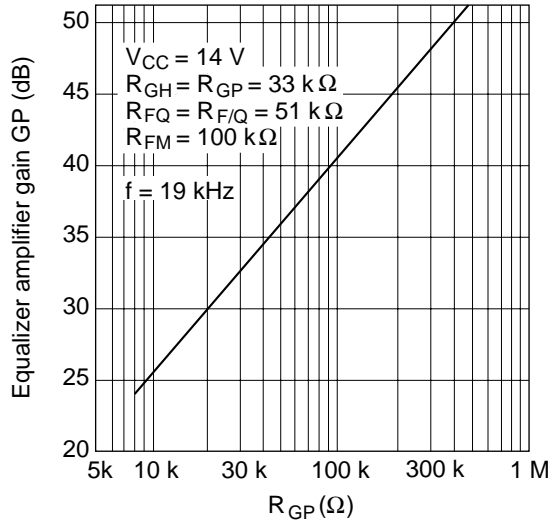


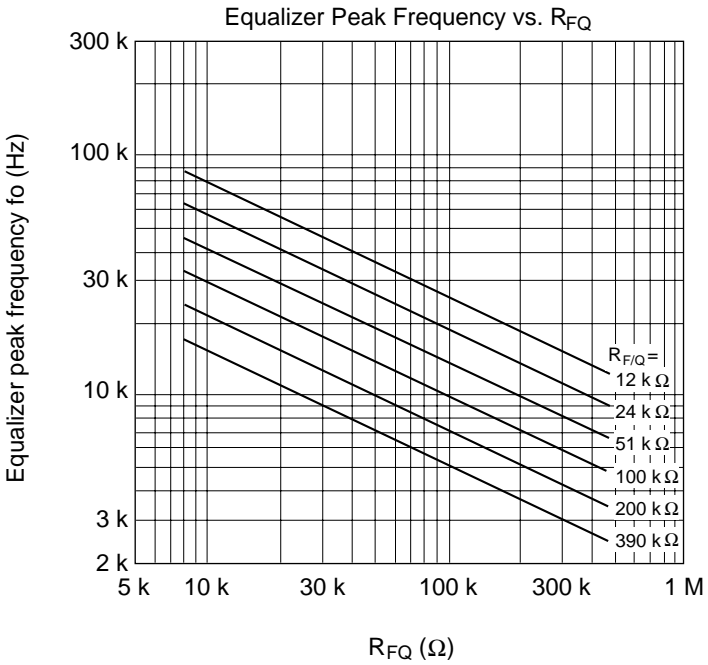
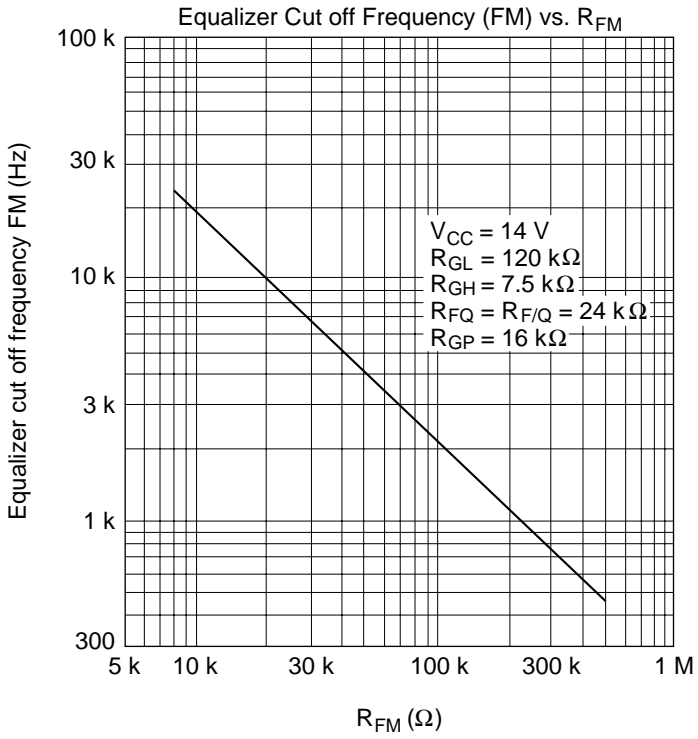


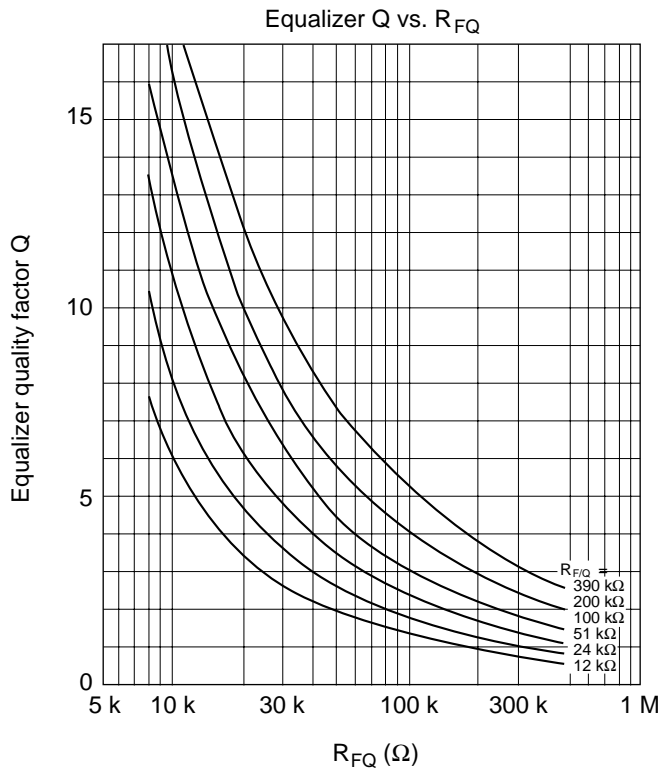
Equalizer Amplifier Gain (GH) vs. R_{GH}



Equalizer Amplifier Gain (GP) vs. R_{GP}

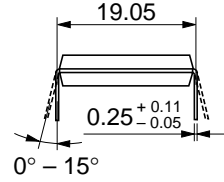
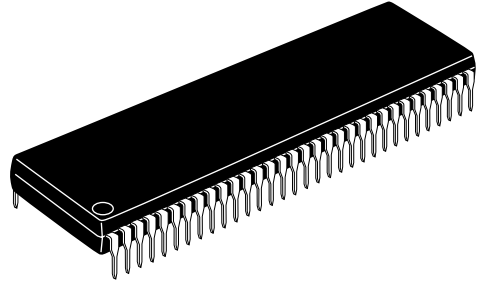
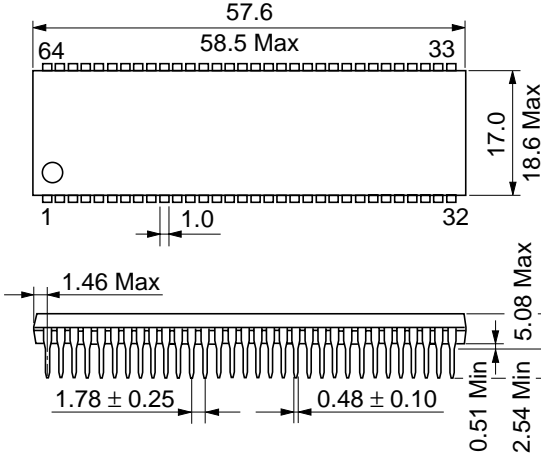






Package Dimensions

Unit: mm



Hitachi Code	DP-64S
JEDEC	—
EIAJ	Conforms
Weight (reference value)	8.8 g

Cautions

1. Hitachi neither warrants nor grants licenses of any rights of Hitachi's or any third party's patent, copyright, trademark, or other intellectual property rights for information contained in this document. Hitachi bears no responsibility for problems that may arise with third party's rights, including intellectual property rights, in connection with use of the information contained in this document.
2. Products and product specifications may be subject to change without notice. Confirm that you have received the latest product standards or specifications before final design, purchase or use.
3. Hitachi makes every attempt to ensure that its products are of high quality and reliability. However, contact Hitachi's sales office before using the product in an application that demands especially high quality and reliability or where its failure or malfunction may directly threaten human life or cause risk of bodily injury, such as aerospace, aeronautics, nuclear power, combustion control, transportation, traffic, safety equipment or medical equipment for life support.
4. Design your application so that the product is used within the ranges guaranteed by Hitachi particularly for maximum rating, operating supply voltage range, heat radiation characteristics, installation conditions and other characteristics. Hitachi bears no responsibility for failure or damage when used beyond the guaranteed ranges. Even within the guaranteed ranges, consider normally foreseeable failure rates or failure modes in semiconductor devices and employ systemic measures such as fail-safes, so that the equipment incorporating Hitachi product does not cause bodily injury, fire or other consequential damage due to operation of the Hitachi product.
5. This product is not designed to be radiation resistant.
6. No one is permitted to reproduce or duplicate, in any form, the whole or part of this document without written approval from Hitachi.
7. Contact Hitachi's sales office for any questions regarding this document or Hitachi semiconductor products.

HITACHI

Hitachi, Ltd.

Semiconductor & Integrated Circuits.
Nippon Bldg., 2-6-2, Ohte-machi, Chiyoda-ku, Tokyo 100-0004, Japan
Tel: Tokyo (03) 3270-2111 Fax: (03) 3270-5109

URL North America : <http://semiconductor.hitachi.com/>
 Europe : <http://www.hitachi-eu.com/hel/ecg>
 Asia (Singapore) : <http://www.has.hitachi.com.sg/grp3/sicd/index.htm>
 Asia (Taiwan) : http://www.hitachi.com.tw/E/Product/SICD_Frame.htm
 Asia (HongKong) : <http://www.hitachi.com.hk/eng/bo/grp3/index.htm>
 Japan : <http://www.hitachi.co.jp/Sicd/indx.htm>

For further information write to:

Hitachi Semiconductor
(America) Inc.
179 East Tasman Drive,
San Jose, CA 95134
Tel: <1> (408) 433-1990
Fax: <1> (408) 433-0223

Hitachi Europe GmbH
Electronic components Group
Dornacher Straße 3
D-85622 Feldkirchen, Munich
Germany
Tel: <49> (89) 9 9180-0
Fax: <49> (89) 9 29 30 00

Hitachi Europe Ltd.
Electronic Components Group.
Whitebrook Park
Lower Cookham Road
Maidenhead
Berkshire SL6 8YA, United Kingdom
Tel: <44> (1628) 585000
Fax: <44> (1628) 778322

Hitachi Asia Pte. Ltd.
16 Collyer Quay #20-00
Hitachi Tower
Singapore 049318
Tel: 535-2100
Fax: 535-1533

Hitachi Asia Ltd.
Taipei Branch Office
3F, Hung Kuo Building, No.167,
Tun-Hwa North Road, Taipei (105)
Tel: <886> (2) 2718-3666
Fax: <886> (2) 2718-8180

Hitachi Asia (Hong Kong) Ltd.
Group III (Electronic Components)
7/F., North Tower, World Finance Centre,
Harbour City, Canton Road, Tsim Sha Tsui,
Kowloon, Hong Kong
Tel: <852> (2) 735 9218
Fax: <852> (2) 730 0281
Telex: 40815 HITEC HX

Copyright ' Hitachi, Ltd., 1999. All rights reserved. Printed in Japan.

HITACHI