



# SAW Components

Data Sheet B4146





SAW Components

B4146

Low-Loss Filter for Mobile Communication

881,50 MHz

Data Sheet



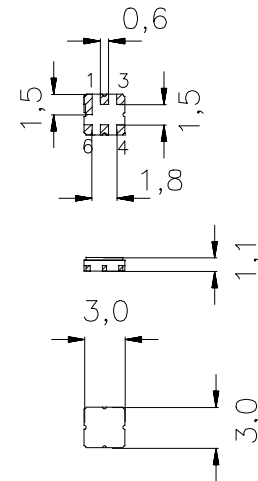
Ceramic package DCC6D

**Features**

- Low-loss RF filter for mobile telephone AMPS system, receive path
- Low amplitude ripple
- Usable passband 25 MHz
- Unbalanced to balanced operation
- Impedance transformation from 50 Ω to 200 Ω
- Ceramic package for **Surface Mounted Technology (SMT)**

**Terminals**

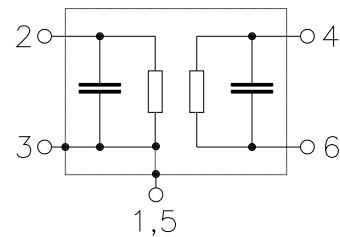
- Ni, gold-plated



Dimensions in mm, approx. weight 0,037 g

**Pin configuration**

- 2 Input
- 4 Balanced output
- 6 Balanced output
- 1, 3, 5 Ground, to be grounded



Type	Ordering code	Marking and Package according to	Packing according to
B4146	B39881-B4146-U510	C61157-A7-A68	F61074-V8089-Z000

Electrostatic Sensitive Device (ESD)

**Maximum ratings**

Operable temperature range	$T$	- 30 / + 85	°C	Human Body Model source impedance 50 Ω
Storage temperature range	$T_{stg}$	- 40 / + 85	°C	
DC voltage	$V_{DC}$	5	V	
ESD	$V_{ESD}$	50	V	
Input power max.	$P_{IN}$	5	dBm	



**Characteristics**

Operating temperature range:  $T = -30$  to  $+85$  °C  
 Terminating source impedance:  $Z_S = 50 \Omega$   
 Terminating load impedance:  $Z_L = 200 \Omega \parallel 68\text{nH}$ (balanced)

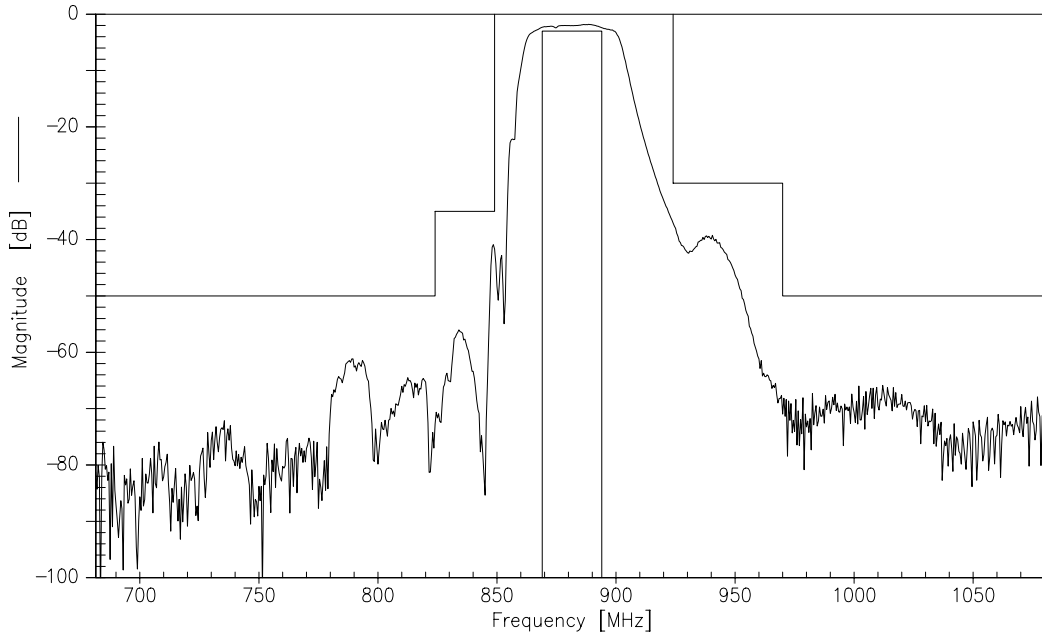
			min.	typ.	max.	
<b>Center frequency</b>	$f_C$		—	881,5	—	MHz
<b>Maximum insertion attenuation</b>	$\alpha_{\text{max}}$	869,0 ... 894,0 MHz	—	2,5	3,0	dB
<b>Amplitude ripple (p-p)</b>	$\Delta\alpha$	869,0 ... 894,0 MHz	—	0,7	1,2	dB
<b>VSWR</b>		869,0 ... 894,0 MHz	—	1,8	1,9	
<b>Attenuation</b>	$\alpha$					
		0,0 ... 824,0 MHz	50,0	60,0	—	dB
		824,0 ... 849,0 MHz	35,0	40,0	—	dB
		924,0 ... 970,0 MHz	30,0	40,0	—	dB
		970,0 ... 1300,0 MHz	50,0	65,0	—	dB
		1300,0 ... 2000,0 MHz	40,0	60,0	—	dB
		2000,0 ... 3000,0 MHz	30,0	50,0	—	dB



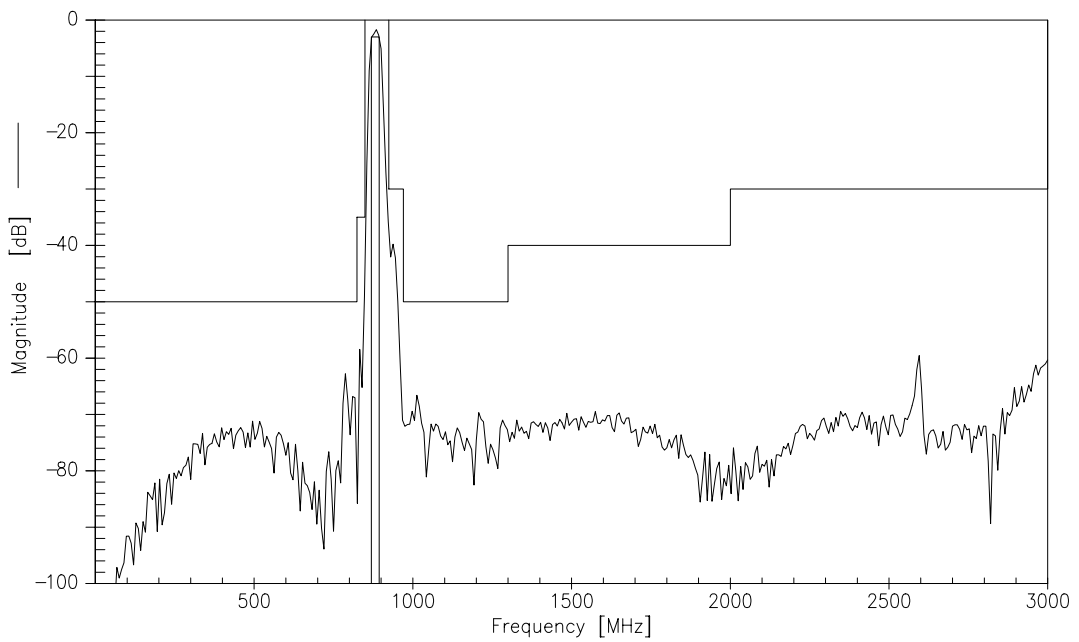
Data Sheet



Transfer function

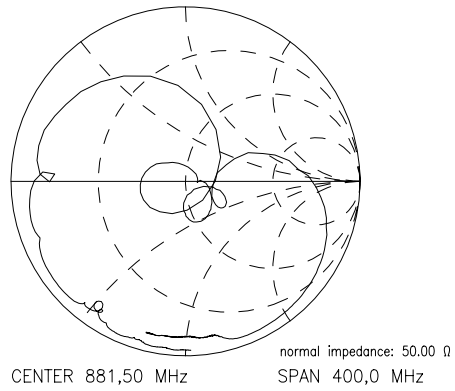
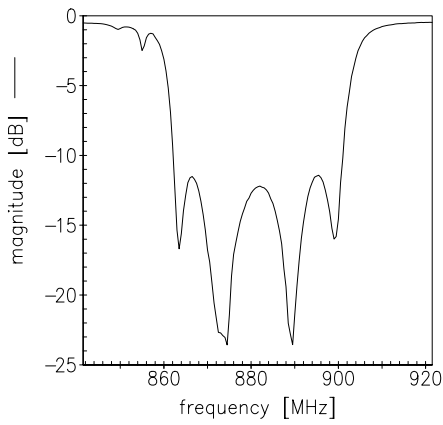


Transfer function

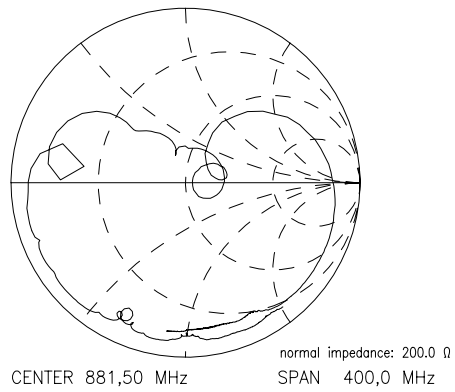
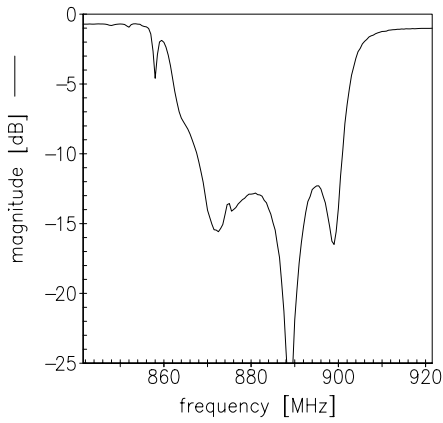




$S_{11}$



$S_{22}$





**SAW Components**

**B4146**

**Low-Loss Filter for Mobile Communication**

**881,50 MHz**

Data Sheet



**Published by EPCOS AG**

**Surface Acoustic Wave Components Division, OFW E MF**

**P.O. Box 80 17 09, D-81617 München**

© EPCOS AG 2001. All Rights Reserved. Reproduction, publication and dissemination of this brochure and the information contained therein without EPCOS' prior express consent is prohibited.

The information contained in this brochure describes the type of component and shall not be considered as guaranteed characteristics. Purchase orders are subject to the General Conditions for the Supply of Products and Services of the Electrical and Electronics Industry recommended by the ZVEI (German Electrical and Electronic Manufacturers' Association), unless otherwise agreed.

This brochure replaces the previous edition.

For questions on technology, prices and delivery please contact the Sales Offices of EPCOS AG or the international Representatives.

Due to technical requirements components may contain dangerous substances. For information on the type in question please also contact one of our Sales Offices.