

L34SF6C	L34SF6BT
L34SF7C	L34SF7BT

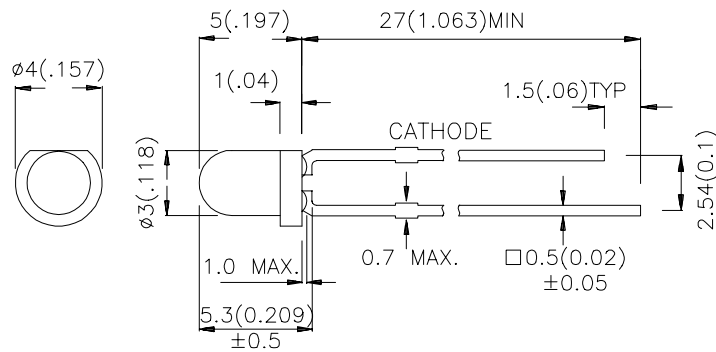
### Features

- MECHANICALLY AND SPECTRALLY MATCHED TO THE L-32P3C PHOTOTRANSISTOR.
- BOTH WATER CLEAR LENS AND BLUE TRANSPARENT LENS AVAILABLE HIGH POWER OUTPUT.

### Description

SF6 and SF7 Made with Gallium Aluminum Arsenide  
Infrared Emitting diodes.

### Package Dimensions



#### Notes:

1. All dimensions are in millimeters (inches).
2. Tolerance is  $\pm 0.25(0.01)$  unless otherwise noted.
3. Lead spacing is measured where the lead emerge package.
4. Specifications are subject to change without notice.

## Selection Guide

Part No.	Dice	Lens Type	Po (mW/sr) @20mA		Po (mW/sr) @50mA		Viewing Angle
			Min.	Typ.	Min.	Typ.	2θ1/2
L34SF6C	GaAlAs	WATER CLEAR	7	15	10	40	50°
L34SF6BT	GaAlAs	BLUE TRANSPARENT	7	15	10	40	50°
L34SF7C	GaAlAs	WATER CLEAR	7	18	10	45	50°
L34SF7BT	GaAlAs	BLUE TRANSPARENT	7	18	10	45	50°

Note:

1. θ1/2 is the angle from optical centerline where the luminous intensity is 1/2 the optical centerline value.

## Electrical / Optical Characteristics at T<sub>A</sub>=25°C

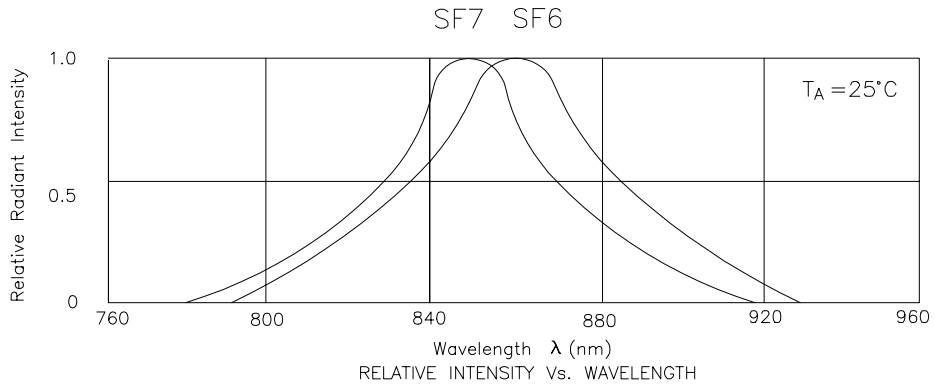
Item	P/N	Symbol	Typ.	Max.	Unit	Condition
Forward Voltage	SF6 SF7	V <sub>F</sub>	1.35 1.4	1.6 1.8	V	IF=20mA
Reverse Current	SF6 SF7	I <sub>R</sub>	-	10 10	uA	VR=5V
Junction Capacitance	SF6 SF7	C	30 30	-	pF	V=0 f=1MHz
Peak Spectral Wavelength	SF6 SF7	λ <sub>P</sub>	860 850	-	nm	IF=20mA
Spectral Bandwidth	SF6 SF7	Δλ	50 41	-	nm	IF=20mA

## Absolute Maximum Ratings at T<sub>A</sub>=25°C

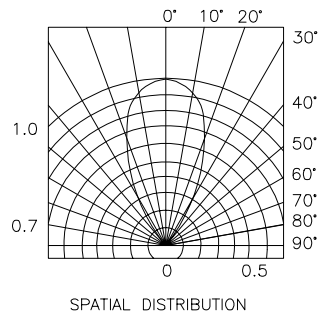
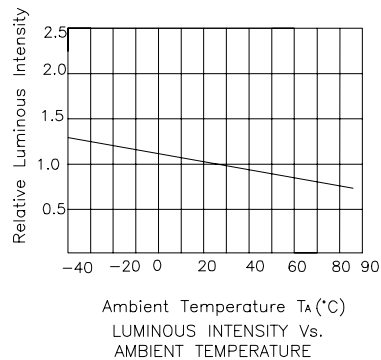
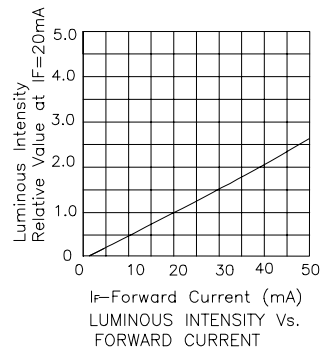
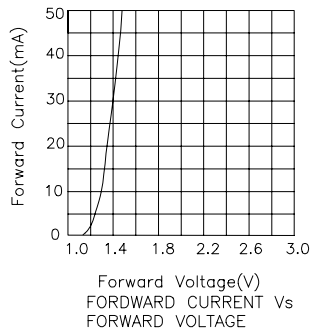
Item	Symbol	SF6&SF7	Units
Power Dissipation	P <sub>t</sub>	100	mW
Forward Current	I <sub>F</sub>	50	mA
Peak Forward Current[1]	I <sub>p</sub>	1	A
Reverse Voltage	V <sub>R</sub>	5	V
Operating Temperature	T <sub>A</sub>	-40~ +85	°C
Storage Temperature	T <sub>stg</sub>	-40~ +85	°C

Notes:

1. 1/10 Duty Cycle, 0.1ms Pulse Width.



## L34SF6C, L34SF6BT



## L34SF7C, L34SF7BT

