

System Supervisors in ICSP™ Architectures

Author: Ken Dietz
Microchip Technology Inc.

INTRODUCTION

Semiconductor manufacturers have designed several types of circuit supervisors with varying types of functionality over the past few years. Some supervisors incorporate watchdog features as well as complex functions, such as programmable threshold levels. As it turns out, most system supervisor data sheets address typical supervisor functions related to Power-on Reset, power-down, and brown-out conditions. In order to serve a wide customer base, semiconductor manufacturers should also address system supervisors designed into systems where microcontrollers (MCUs) and programmable logic devices (PLDs) are programmed in-circuit. Programming PICmicro® microcontrollers in this fashion is known as In-Circuit Serial Programming™ (ICSP™), which can be implemented for a variety of reasons, including field upgrades.

System supervisors are available with several types of output stages. Some have active low output stages, some active high, and there are others similar to the MCP100, with output stages that drive RESET lines both high and low. Supervisor output stages are extremely important to understand for ICSP circuitry, since programming equipment actually drives the output stages when the MCU or PLD is being programmed. While there is a wide variety of supervisor types available on the market, this Application Note primarily focuses on the MCP120, which has an open drain, active low, output stage. Even though the MCP120 was chosen for this ICSP example, the design techniques included below are intended to guide designers with supervisors of all kinds for ICSP circuitry.

CIRCUITRY BACKGROUND

MCP120 Output Stage

A simplified schematic for the MCP120 output stage is shown in Figure 1. Nominally, the output stage of the MCP120 can handle sinking less than 1 mA of current in a high impedance state. That is, when the output is not driving low and when a voltage is applied to the output that is higher than the power supply level, the output can handle sinking less than 1 mA. Other pertinent electrical specifications for the device are shown in the data sheet, which includes test conditions for the chip.

The MCP120 has an open drain output, though it is not a true open drain. Specifically, the PMOS transistor on the high side of the output stage is diode-connected, as shown in Figure 1. When the voltage applied to the output of the supervisor exceeds the power supply for the chip, the PMOS transistor acts like a forward biased diode. Lastly, since the output stage is open drain, a pull-up resistor is required between the supervisor output and V_{DD} .

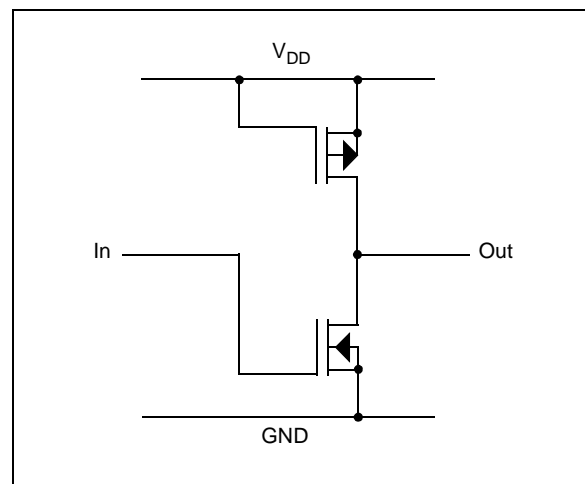


FIGURE 1: MCP120 output stage simplified.

ICSP Circuit Configuration

A schematic showing ICSP circuitry with the MCP120 is shown in Figure 2. A current limiting resistor, R_{CL} , limits the current driven into the output stage of the supervisor when the programming voltage is applied to the MCU. A pull-up resistor, R_{PU} , is placed between the supervisor output and V_{DD} , since the MCP120 output is open drain and active low. Calculations for the resistors are explained in the Design Methodology section.

The pull-down resistor, R_{PD} , shown in Figure 2 is useful during power-up and power-down sequences. Supervisor functionality is not specified at power supply voltages typically lower than 1 Volt, so the output stage of the supervisor could be in a high impedance state. If the supervisor output is high impedance and voltage is applied to the MCU from an external source, the processor could potentially run its program until the supervisor takes over and resets the MCU again. This is

especially important in systems where multiple printed circuit boards are interfaced together and a secondary board might end up driving the MCU I/O pins before power is applied to the primary board.

Since the voltage on the \overline{MCLR} pin on a PICmicro[®] MCU is very close to the power supply level, R_{PD} can be fairly large to minimize current consumption when the circuit is normally operating. Furthermore, during program and verify sequences, up to 13.25 Volts are applied to the pull-down resistor. Because of this, R_{PD} should also be large enough to minimize current consumption for the programming voltage supply. A value of 100 k Ω (+/-5%) results in a maximum of 140 μ A when V_{PP} is applied to the microcontroller, or 134 μ A if 1% resistors are used, which is a small load for most programmers. For battery powered applications, substantially larger valued resistors may be desirable for this purpose.

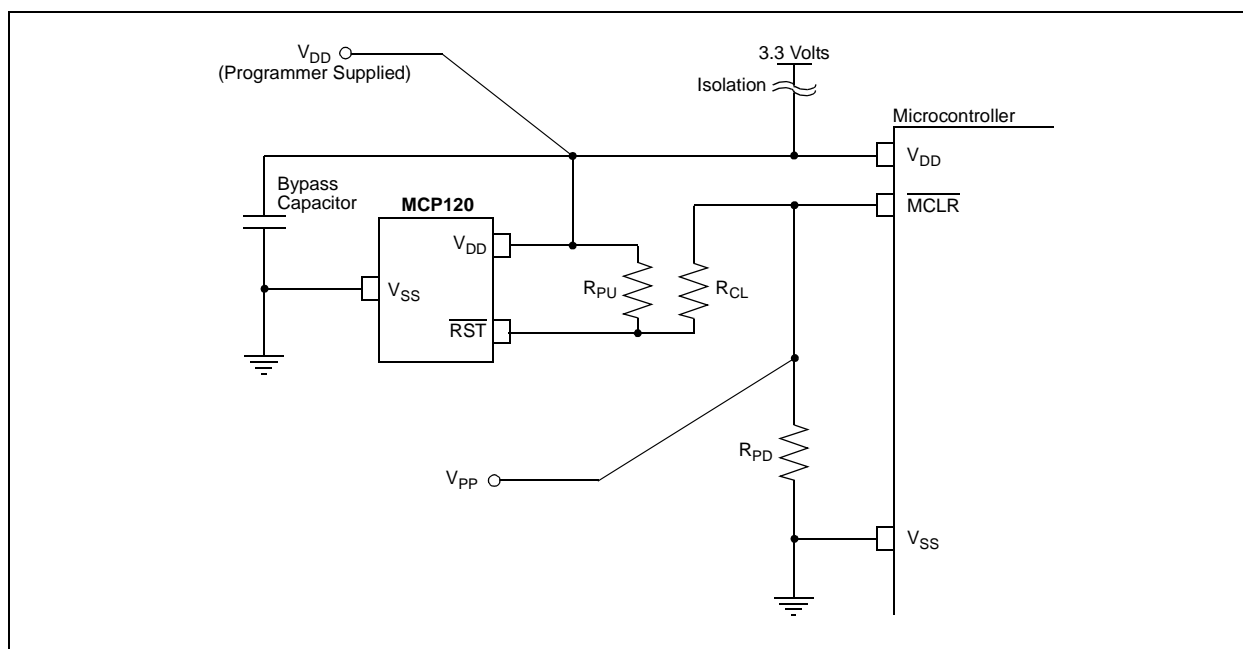


FIGURE 2: Active low open drain ICSP circuit.

Key Programmer Specifications

The PRO MATE[®] II and the ICSP Socket Module, part number AC004004, were used to test the circuit shown in Figure 2. Current drive for the programming voltage signal and current drive for the power supply signals are critical specifications for the ICSP socket module. For the V_{PP} signal, the output of the ICSP module can provide as much as 100 mA, and for the power supply signal, the ICSP socket module can drive as much as 400 mA. Furthermore, the PRO MATE II programs MCUs only at 5 Volts. However, it does have the capability to verify the memory contents of microcontrollers at power supply levels ranging from 2.5 Volts to 5.5 Volts.

Another important aspect to consider for In-Circuit Serial Programming includes the cable length for the interface. Not only are sufficient current drive capabilities required, but if a lengthy cable is used, reflections and oscillations may cause programming errors. Because of this phenomenon, manufacturers implementing ICSP architectures should keep their cables as short as possible. The circuits tested for the purpose of this article implemented the ICSP cable that is normally shipped with the ICSP module, which is about 6 feet long. Lastly, the end of the cable connected to the printed circuit board was modified to interface to a modular connector.

DESIGN METHODOLOGY

Absolute Maximum Clarifications

A critical question about designing this type of circuit revolves around the worst case voltages and currents applied to the circuit. Additionally, a circuit designer needs to determine whether or not the absolute maximum ratings for any of the components on the board are being exceeded. Knowing the largest voltage drops across the circuit enables a designer to calculate the resistor sizes so that absolute maximum ratings for all components are not exceeded. From the PIC16LF872 data sheet (DS30221), the maximum voltage that can be applied to the MCLR pin of the microcontroller cannot exceed 13.25 Volts. Additionally, the maximum voltage that can be applied to any pin on the MCP120, with respect to V_{SS} , is from -0.6 Volts to ($V_{DD} + 1.0$) Volts.

Calculations

Since the lowest voltage applied to V_{DD} is 0 Volts during programming, the voltage applied to the \overline{RST} pin should not exceed 1.0 Volt. Knowing this, the circuit can be designed to limit the voltage applied to \overline{RST} to a nominal 700 mV. This means that R_{CL} has to drop at most 12.55 Volts. If the assumption is made that all of the current flowing through R_{CL} is also flowing through R_{PU} when the supervisor output is high impedance, then R_{PU} needs to be 700 Ω and R_{CL} should be at least 12.55k Ω . For standard 1% tolerance resistors, 715 Ω and 12.7k Ω would be the correct selections for R_{PU}

and R_{CL} , respectively. If standard 5% resistors are being used in the circuit, then 750 Ω and 13 k Ω are the correct solutions.

In order to determine if this combination of resistors will work in the design, all of the permutations for power supply levels and output drive levels for the supervisor must include calculations for minimum and maximum currents and voltages in the circuit. While the microcontroller is being programmed, power supply levels can be as high as 5.5 Volts for the PIC16LF872 during verify operations. This can be further clarified by reviewing Figure 3. With this in mind, minimum and maximum circuit calculations show that this selection of resistors will work within tolerance.

Results

Figure 3 shows a successful programming waveform for two key nodes in an ICSP circuit. Channel 1 measured the voltage levels on the supervisor output pin, \overline{RST} , and Channel 2 measured the voltage applied to the node between the power supply pins of the microcontroller and the supervisor. The circuit schematic for this system was shown in Figure 2. Notice that Channel 2 in Figure 3 shows the verification voltage levels at 5.5 Volts and 2.5 Volts. Notice also that Channel 1 shows the voltage on the \overline{RST} pin at about 700 mV when the supervisor output is driving low. Lastly, when the supervisor output is high impedance, Channel 1 shows a voltage level of 5.7 Volts applied to \overline{RST} , which is about 700 mV above the power supply.

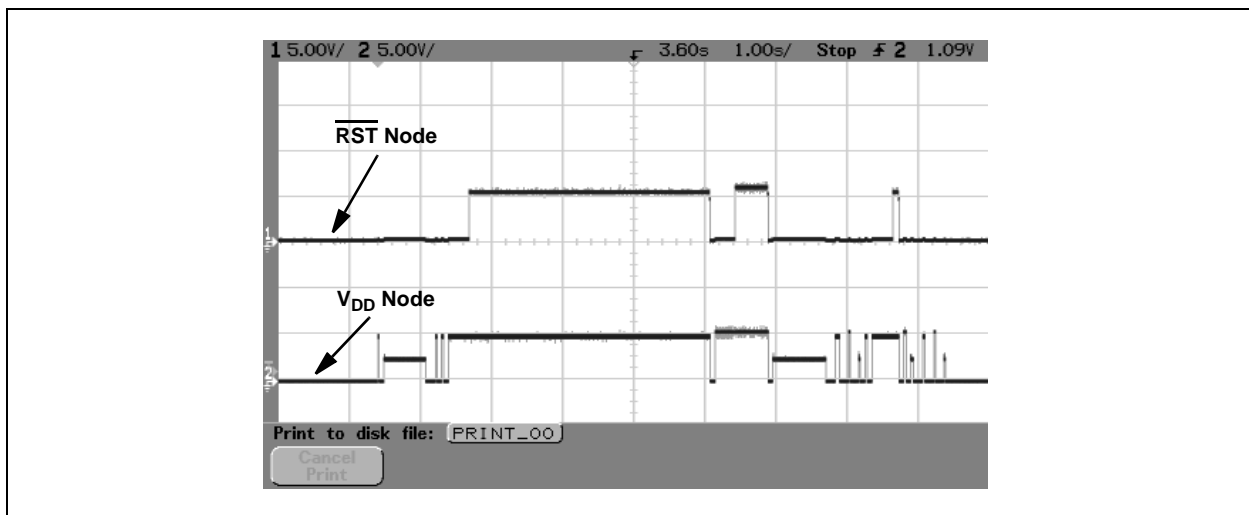


FIGURE 3: Successful programming waveform.

SUPERVISORS WITH PUSH-PULL OUTPUT STAGES

Typical N-Well CMOS Process

Figure 4 shows a cutaway view of a typical N-Well CMOS process, including connections for the MCP100 output stage. This type of process is currently used by Microchip Technology. When the node between the two transistors is raised above V_{DD} , the PMOS transistor allows current to flow from V_{PP} to the power supply. Because of this, ICSP circuits are difficult to implement with supervisors containing push-pull output stages.

Driving too much current into the supervisor output results in unstable operation, like the waveforms shown in Figure 5. This waveform was measured on a circuit using the MCP100 and the PIC16LF872. The circuit architecture was similar to the one shown in Figure 2, with the exception that the pull-up resistor was removed, since the MCP100 has the capability to drive the RESET pin both high and low. Also, the current limiting resistor was reduced to about 1 k Ω for this demonstration.

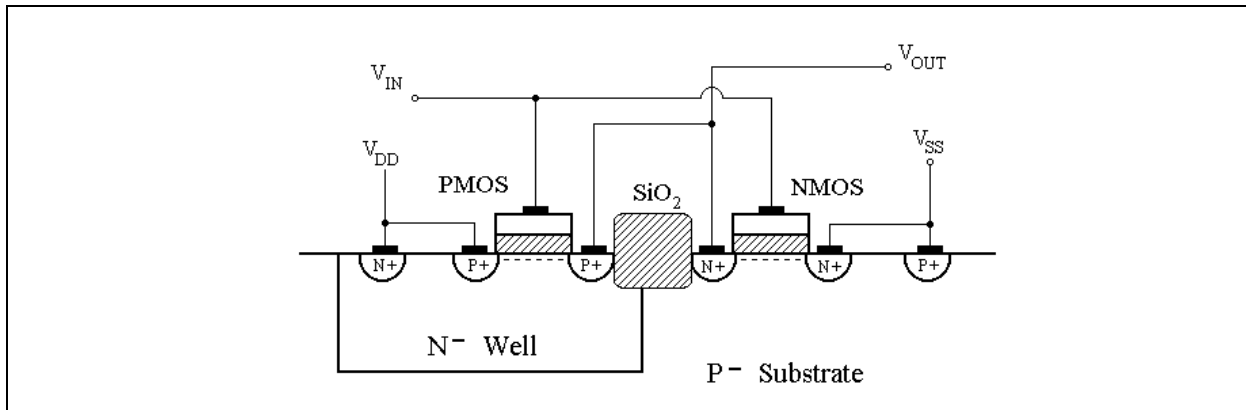


FIGURE 4: Push-Pull output in N-Well CMOS process.

Results

As shown in Figure 5, an excessive amount of current driven into the supervisor results in failed programming. In this case, the chip failed during the verification tests. It should be further noted that increasing the current limiting resistor yielded successful program-

ming operations periodically. Because of the results of these tests, Microchip Technology recommends designing open drain supervisors into ICSP circuitry, rather than push-pull supervisors.

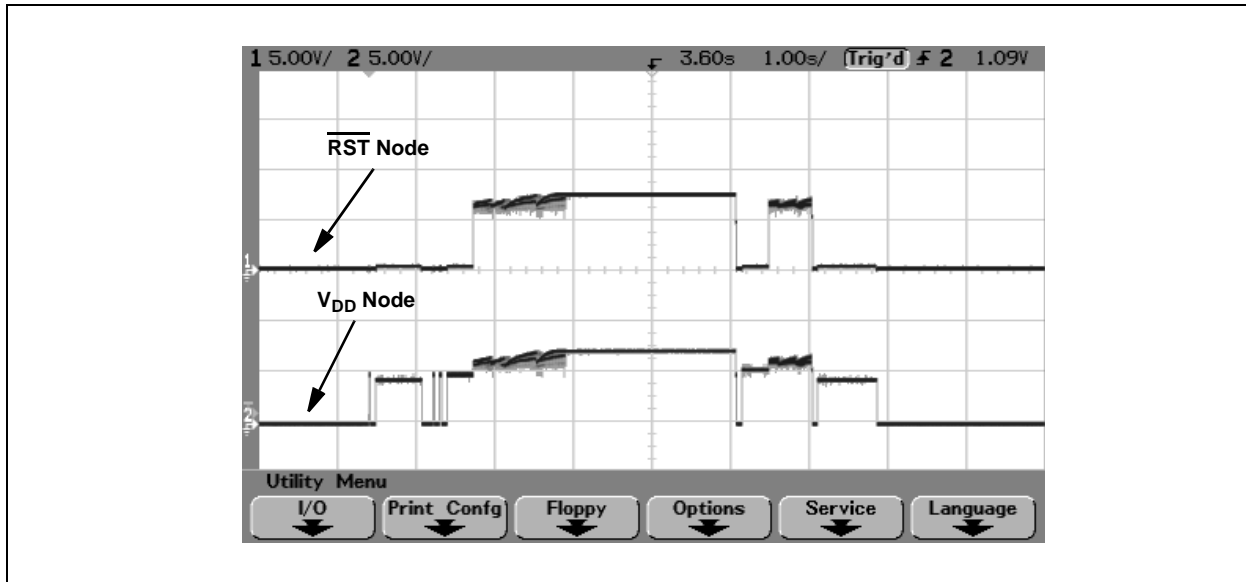


FIGURE 5: Failed verify programming waveform.

CONCLUSION

In summary, throughout this Application Note, output stages for system supervisors in ICSP circuits were discussed. The importance of understanding output stage architectures and how they interact with programming hardware was emphasized. Lastly, two ICSP circuits were included as examples. One circuit illustrated how to implement an ICSP interface between a microcontroller and a system supervisor, and the other demonstrated some of the pitfalls designers encounter with this circuit architecture.

REFERENCES

AN686, (1998), *Understanding and Using Supervisory Circuits*, available on the Microchip Technology, Inc., web site:

<http://www.microchip.com/download/appnote/super/about/00686a.pdf>

MCP100 Data Sheet (DS11187), available on the Microchip Technology, Inc., web site:

<http://www.microchip.com/download/lit/pline/analog/power/pwrman/super/11187f.pdf>

MCP120/130 Data Sheet (DS11184), available on the Microchip Technology, Inc., web site:

<http://www.microchip.com/download/lit/pline/analog/power/pwrman/super/11184d.pdf>

Sedra and Smith, (1998, 4th edition), *Microelectronic Circuits*, Oxford University Press, Oxford.

AN820

NOTES:

Note the following details of the code protection feature on PICmicro® MCUs.

- The PICmicro family meets the specifications contained in the Microchip Data Sheet.
- Microchip believes that its family of PICmicro microcontrollers is one of the most secure products of its kind on the market today, when used in the intended manner and under normal conditions.
- There are dishonest and possibly illegal methods used to breach the code protection feature. All of these methods, to our knowledge, require using the PICmicro microcontroller in a manner outside the operating specifications contained in the data sheet. The person doing so may be engaged in theft of intellectual property.
- Microchip is willing to work with the customer who is concerned about the integrity of their code.
- Neither Microchip nor any other semiconductor manufacturer can guarantee the security of their code. Code protection does not mean that we are guaranteeing the product as “unbreakable”.
- Code protection is constantly evolving. We at Microchip are committed to continuously improving the code protection features of our product.

If you have any further questions about this matter, please contact the local sales office nearest to you.

Information contained in this publication regarding device applications and the like is intended through suggestion only and may be superseded by updates. It is your responsibility to ensure that your application meets with your specifications. No representation or warranty is given and no liability is assumed by Microchip Technology Incorporated with respect to the accuracy or use of such information, or infringement of patents or other intellectual property rights arising from such use or otherwise. Use of Microchip's products as critical components in life support systems is not authorized except with express written approval by Microchip. No licenses are conveyed, implicitly or otherwise, under any intellectual property rights.

Trademarks


The Microchip name and logo, the Microchip logo, FilterLab, KEELOQ, MPLAB, PIC, PICmicro, PICMASTER, PICSTART, PRO MATE, SEEVAL and The Embedded Control Solutions Company are registered trademarks of Microchip Technology Incorporated in the U.S.A. and other countries.

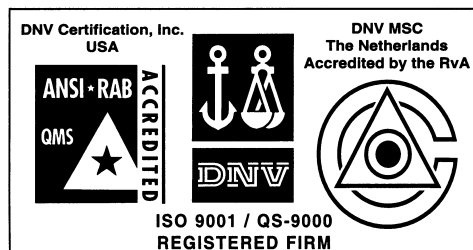
dsPIC, ECONOMONITOR, FanSense, FlexROM, fuzzyLAB, In-Circuit Serial Programming, ICSP, ICEPIC, microID, microPort, Migratable Memory, MPASM, MPLIB, MPLINK, MPSIM, MXDEV, PICC, PICDEM, PICDEM.net, rPIC, Select Mode and Total Endurance are trademarks of Microchip Technology Incorporated in the U.S.A.

Serialized Quick Term Programming (SQTP) is a service mark of Microchip Technology Incorporated in the U.S.A.

All other trademarks mentioned herein are property of their respective companies.

© 2002, Microchip Technology Incorporated, Printed in the U.S.A., All Rights Reserved.

 Printed on recycled paper.



Microchip received QS-9000 quality system certification for its worldwide headquarters, design and wafer fabrication facilities in Chandler and Tempe, Arizona in July 1999. The Company's quality system processes and procedures are QS-9000 compliant for its PICmicro® 8-bit MCUs, KEELOQ® code hopping devices, Serial EEPROMs and microperipheral products. In addition, Microchip's quality system for the design and manufacture of development systems is ISO 9001 certified.



WORLDWIDE SALES AND SERVICE

AMERICAS

Corporate Office

2355 West Chandler Blvd.
Chandler, AZ 85224-6199
Tel: 480-792-7200 Fax: 480-792-7277
Technical Support: 480-792-7627
Web Address: <http://www.microchip.com>

Rocky Mountain

2355 West Chandler Blvd.
Chandler, AZ 85224-6199
Tel: 480-792-7966 Fax: 480-792-7456

Atlanta

500 Sugar Mill Road, Suite 200B
Atlanta, GA 30350
Tel: 770-640-0034 Fax: 770-640-0307

Boston

2 Lan Drive, Suite 120
Westford, MA 01886
Tel: 978-692-3848 Fax: 978-692-3821

Chicago

333 Pierce Road, Suite 180
Itasca, IL 60143
Tel: 630-285-0071 Fax: 630-285-0075

Dallas

4570 Westgrove Drive, Suite 160
Addison, TX 75001
Tel: 972-818-7423 Fax: 972-818-2924

Detroit

Tri-Atria Office Building
32255 Northwestern Highway, Suite 190
Farmington Hills, MI 48334
Tel: 248-538-2250 Fax: 248-538-2260

Kokomo

2767 S. Albright Road
Kokomo, Indiana 46902
Tel: 765-864-8360 Fax: 765-864-8387

Los Angeles

18201 Von Karman, Suite 1090
Irvine, CA 92612
Tel: 949-263-1888 Fax: 949-263-1338

New York

150 Motor Parkway, Suite 202
Hauppauge, NY 11788
Tel: 631-273-5305 Fax: 631-273-5335

San Jose

Microchip Technology Inc.
2107 North First Street, Suite 590
San Jose, CA 95131
Tel: 408-436-7950 Fax: 408-436-7955

Toronto

6285 Northam Drive, Suite 108
Mississauga, Ontario L4V 1X5, Canada
Tel: 905-673-0699 Fax: 905-673-6509

ASIA/PACIFIC

Australia

Microchip Technology Australia Pty Ltd
Suite 22, 41 Rawson Street
Epping 2121, NSW
Australia
Tel: 61-2-9868-6733 Fax: 61-2-9868-6755

China - Beijing

Microchip Technology Consulting (Shanghai)
Co., Ltd., Beijing Liaison Office
Unit 915
Bei Hai Wan Tai Bldg.
No. 6 Chaoyangmen Beidajie
Beijing, 100027, No. China
Tel: 86-10-85282100 Fax: 86-10-85282104

China - Chengdu

Microchip Technology Consulting (Shanghai)
Co., Ltd., Chengdu Liaison Office
Rm. 2401, 24th Floor,
Ming Xing Financial Tower
No. 88 TIDU Street
Chengdu 610016, China
Tel: 86-28-6766200 Fax: 86-28-6766599

China - Fuzhou

Microchip Technology Consulting (Shanghai)
Co., Ltd., Fuzhou Liaison Office
Unit 28F, World Trade Plaza
No. 71 Wusi Road
Fuzhou 350001, China
Tel: 86-591-7503506 Fax: 86-591-7503521

China - Shanghai

Microchip Technology Consulting (Shanghai)
Co., Ltd.
Room 701, Bldg. B
Far East International Plaza
No. 317 Xian Xia Road
Shanghai, 200051
Tel: 86-21-6275-5700 Fax: 86-21-6275-5060

China - Shenzhen

Microchip Technology Consulting (Shanghai)
Co., Ltd., Shenzhen Liaison Office
Rm. 1315, 13/F, Shenzhen Kerry Centre,
Renminnan Lu
Shenzhen 518001, China
Tel: 86-755-2350361 Fax: 86-755-2366086

Hong Kong

Microchip Technology Hongkong Ltd.
Unit 901-6, Tower 2, Metroplaza
223 Hing Fong Road
Kwai Fong, N.T., Hong Kong
Tel: 852-2401-1200 Fax: 852-2401-3431

India

Microchip Technology Inc.
India Liaison Office
Divyasree Chambers
1 Floor, Wing A (A3/A4)
No. 11, O'Shaugnessey Road
Bangalore, 560 025, India
Tel: 91-80-2290061 Fax: 91-80-2290062

Japan

Microchip Technology Japan K.K.
Benex S-1 6F
3-18-20, Shinyokohama
Kohoku-Ku, Yokohama-shi
Kanagawa, 222-0033, Japan
Tel: 81-45-471- 6166 Fax: 81-45-471-6122

Korea

Microchip Technology Korea
168-1, Youngbo Bldg. 3 Floor
Samsung-Dong, Kangnam-Ku
Seoul, Korea 135-882
Tel: 82-2-554-7200 Fax: 82-2-558-5934

Singapore

Microchip Technology Singapore Pte Ltd.
200 Middle Road
#07-02 Prime Centre
Singapore, 188980
Tel: 65-334-8870 Fax: 65-334-8850

Taiwan

Microchip Technology Taiwan
11F-3, No. 207
Tung Hua North Road
Taipei, 105, Taiwan
Tel: 886-2-2717-7175 Fax: 886-2-2545-0139

EUROPE

Denmark

Microchip Technology Nordic ApS
Regus Business Centre
Lautrup høj 1-3
Ballerup DK-2750 Denmark
Tel: 45 4420 9895 Fax: 45 4420 9910

France

Microchip Technology SARL
Parc d'Activite du Moulin de Massy
43 Rue du Saule Trapu
Batiment A - 1er Etage
91300 Massy, France
Tel: 33-1-69-53-63-20 Fax: 33-1-69-30-90-79

Germany

Microchip Technology GmbH
Gustav-Heinemann Ring 125
D-81739 Munich, Germany
Tel: 49-89-627-144 0 Fax: 49-89-627-144-44

Italy

Microchip Technology SRL
Centro Direzionale Colleoni
Palazzo Taurus 1 V. Le Colleoni 1
20041 Agrate Brianza
Milan, Italy
Tel: 39-039-65791-1 Fax: 39-039-6899883

United Kingdom

Arizona Microchip Technology Ltd.
505 Eskdale Road
Winnersh Triangle
Wokingham
Berkshire, England RG41 5TU
Tel: 44 118 921 5869 Fax: 44-118 921-5820

01/18/02