

L2523SURC HYPER RED

L2523SURC/E HYPER RED

Features

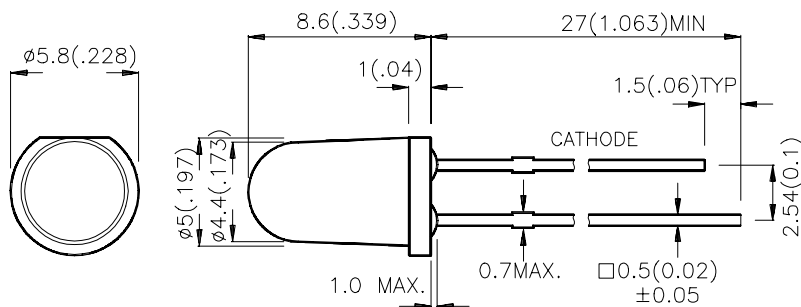
- HYPER BRIGHTNESS.
- OUTSTANDING MATERIAL EFFICIENCY.
- RELIABLE AND RUGGED.
- I.C. COMPATIBLE.

Description

The Hyper Red source color devices are made with DH

InGaAlP on GaAs substrate Light Emitting Diode.

Package Dimensions



Notes:

1. All dimensions are in millimeters (inches).
2. Tolerance is $\pm 0.25(0.01)$ unless otherwise noted.
3. Lead spacing is measured where the lead emerge package.
4. Specifications are subject to change without notice.

Selection Guide

| Part No. | Dice | Lens Type | Iv (mcd) @ 20 mA | | Viewing Angle |
|-------------|---------------------|-------------|---------------------|------|------------------|
| | | | Min. | Typ. | 2θ1/2 |
| L2523SURC | HYPER RED (InGaAlP) | WATER CLEAR | 1300 | 2000 | 12° |
| L2523SURC/E | HYPER RED (InGaAlP) | WATER CLEAR | 1600 | 2500 | 12° |

Note:

1. θ1/2 is the angle from optical centerline where the luminous intensity is 1/2 the optical centerline value.

Electrical / Optical Characteristics at T_A=25°C

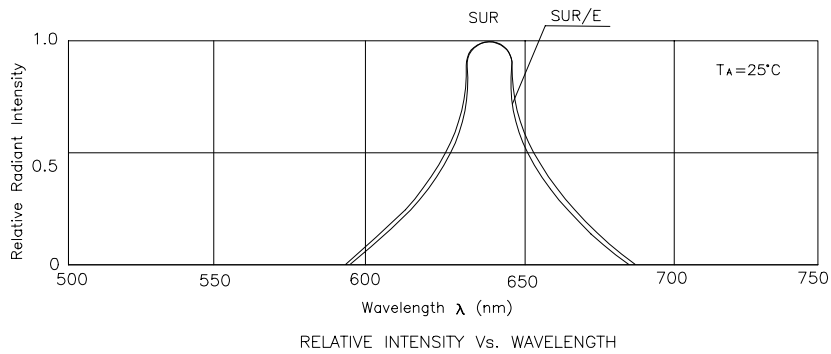
| Symbol | Parameter | Device | Typ. | Max. | Units | Test Conditions |
|-------------------|-------------------------|--------------------------------------|------------|------------|-------|-----------------|
| λ _{peak} | Peak Wavelength | Hyper Red (SUR) Hyper Red (SUR/E) | 640 640 | | nm | IF=20mA |
| λ _D | Dominate Wavelength | Hyper Red (SUR) Hyper Red (SUR/E) | 628 630 | | nm | IF=20mA |
| Δλ _{1/2} | Spectral Line Halfwidth | Hyper Red (SUR) Hyper Red (SUR/E) | 27 25 | | nm | IF=20mA |
| C | Capacitance | Hyper Red (SUR) Hyper Red (SUR/E) | 45 45 | | pF | VR=0V;f=1MHz |
| V _F | Forward Voltage | Hyper Red (SUR) Hyper Red (SUR/E) | 1.9 1.9 | 2.5 2.5 | V | IF=20mA |
| I _R | Reverse Current | All | | 10 | uA | VR = 5V |

Absolute Maximum Ratings at T_A=25°C

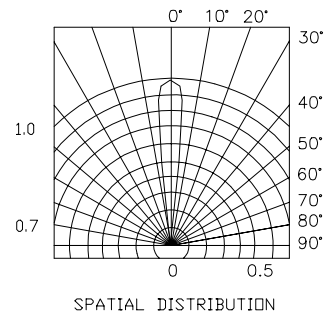
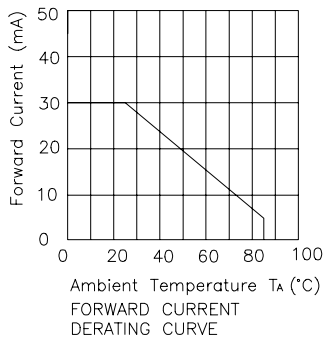
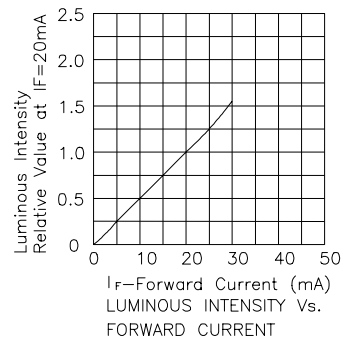
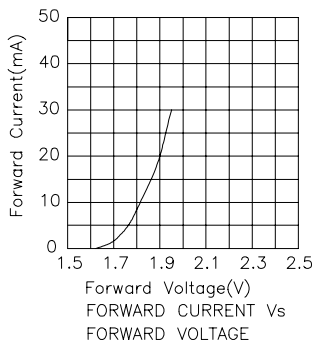
| Parameter | Hyper Red (SUR) | Hyper Red (SUR/E) | Units |
|-------------------------------|---------------------|-------------------|-------|
| Power dissipation | 170 | 150 | mW |
| DC Forward Current | 30 | 40 | mA |
| Peak Forward Current [1] | 185 | 200 | mA |
| Reverse Voltage | 5 | 5 | V |
| Operating/Storage Temperature | -40°C To +85°C | | |
| Lead Solder Temperature [2] | 260°C For 5 Seconds | | |

Notes:

- 1/10 Duty Cycle, 0.1ms Pulse Width.
- 4mm below package base.



Hyper Red L2523SURC



Hyper Red L2523SURC/E

