

SPECIFICATIONS

ELECTRICAL

1. Input Voltage: 5.0 VDC ±5%
2. Resolution: 25PPR
3. Current Consumption: 20mA max.
4. Output Voltage: High: 4.2Vmin
Low: 0.4Vmax
5. Max. Freq. Response: 100 Hz

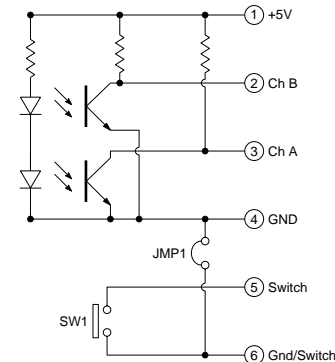
MECHANICAL

1. Max Shaft Load, radial: 1.0 kgf
axial: 1.0 kgf
2. Rotational Angle: 360° continuous
3. Starting Torque: 40 gf•cm ±20gf•cm
4. Maximum Speed: 210 RPM
5. Rotational Life: 2,000,000 cycles

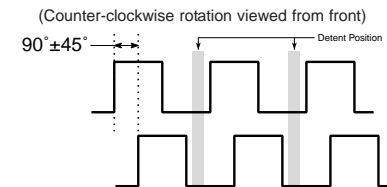
ENVIRONMENTAL

1. Operating Temp: 0° to +60° C
2. Storage Temp: -20° to +80° C
3. Humidity: 85% RH, no condensation
4. Vibration: 10 - 55 Hz, 1.5 mm, 2 hrs
5. Shock: 50G, 6ms, 3 axes, 3 reps

OUTPUT CIRCUIT



OUTPUT WAVEFORM



ORDERING INSTRUCTIONS

EC206X025XX

Shaft style:

- E = Single shaft
- F = Dual concentric shaft

Jumper:

- 1 = With JMP1
- 2 = Without JMP1

Termination options:

- A = Solder holes
- B = Connector
- C = Cable
- D = PC board mount



C U I Stack, Inc.

9615 SW Allen Blvd. #103

Beaverton, OR 97005

Tel: 503/643-4899 FAX: 503/643-6129

DRAWN BY JAS	UPDATED 03/12/02	CHECKED 03/12/02	RELEASED 03/12/02
PART NO. EC206X025XX			REV. A