
HSM125WK

Silicon Schottky Barrier Diode for Battery Switch

HITACHI

ADE-208-188 (Z)
Preliminary, Rev. 0
Oct. 1993

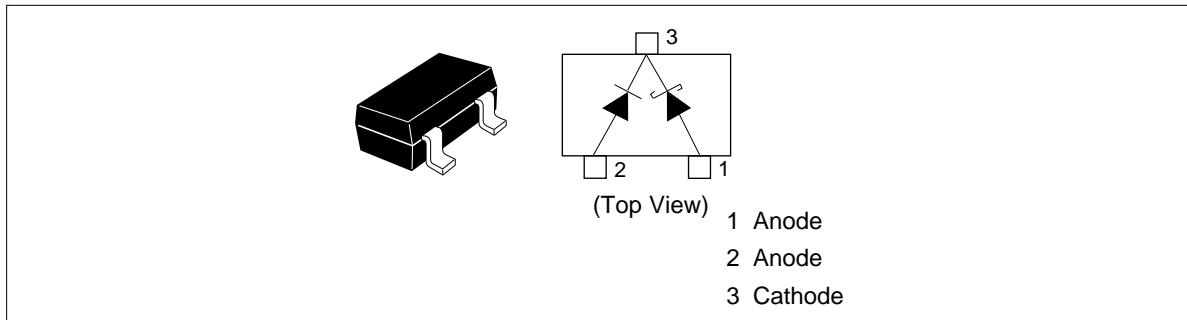
Features

- The HSM125WK has two different (V_F - I_F) chips, and can change the main battery to the backup battery automatically.
- MPAK package is suitable for high density surface mounting and high speed assembly.

Ordering Information

Type No.	Laser Mark	Package Code
HSM125WK	S13	MPAK

Pin Arrangement



HSM125WK

Absolute Maximum Ratings (Ta = 25°C)

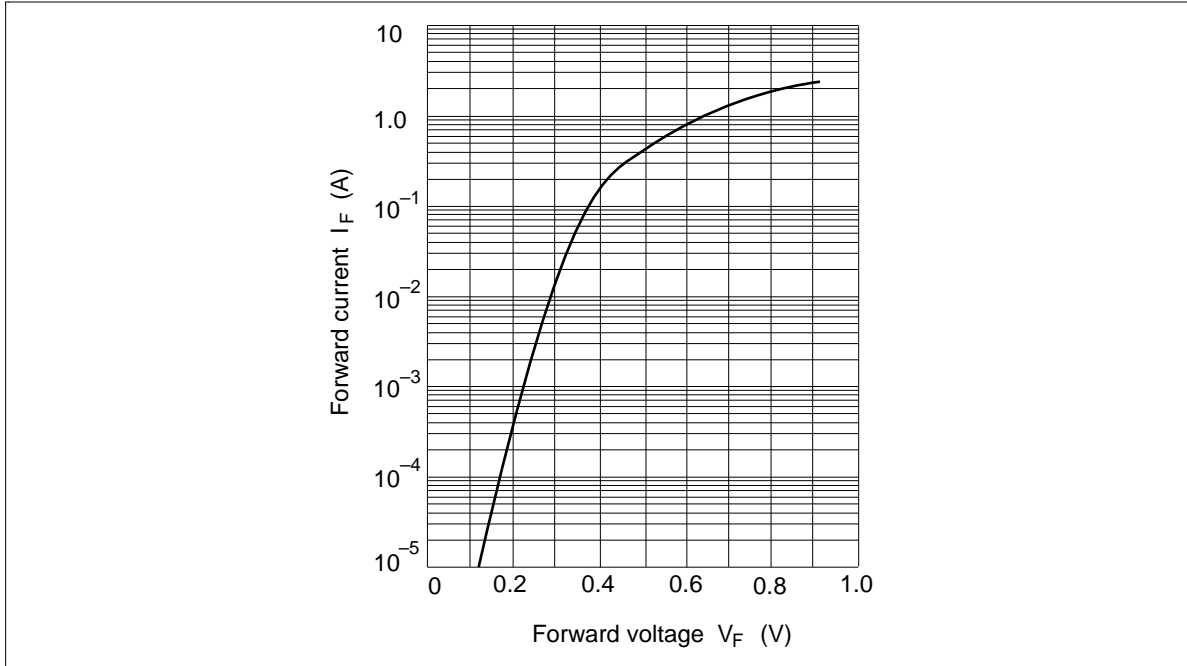
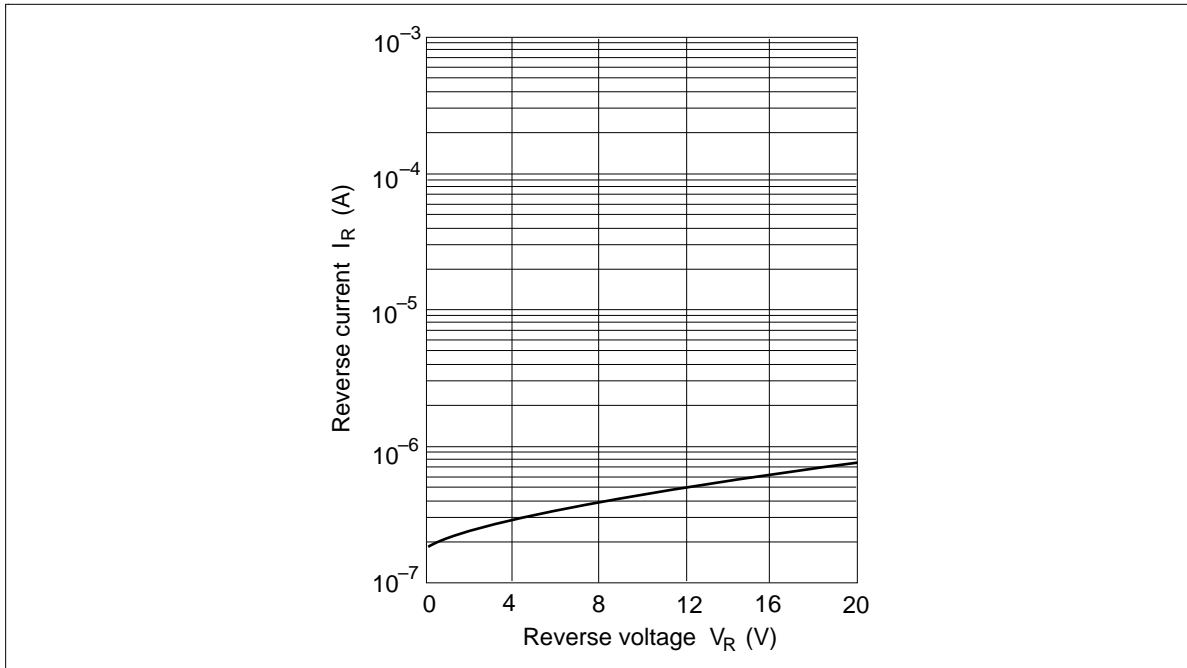
Item	Symbol	Value Pin 1-3	Value Pin 2-3	Unit
Peak reverse voltage	V_{RM}	20	20	V
Forward current	I_F^*	500	100	mA
Junction temperature	Tj	125	125	°C
Storage temperature	Tstg	-55 to +125	-55 to +125	°C

Note: Per one device

Electrical Characteristics (Ta = 25°C)

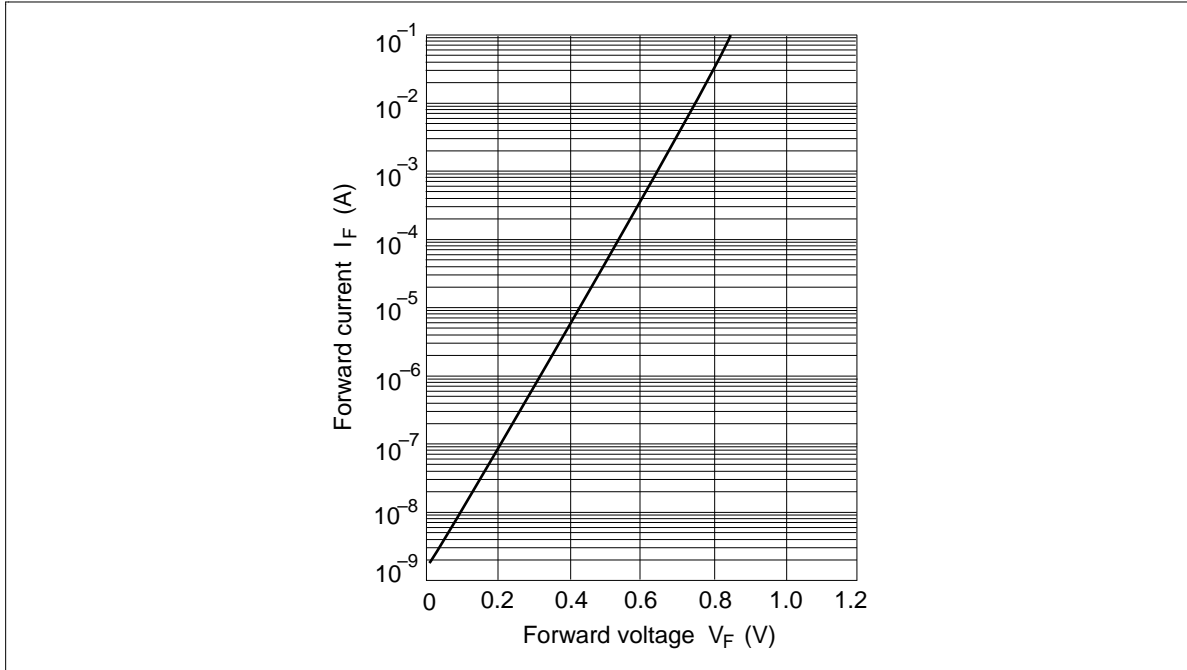
Item	Symbol	Min	Typ	Max	Unit	Test Condition	
Forward voltage	V_{F1}	Pin 1-3	0.1	—	0.3	V	$I_F = 1\text{mA}$
		Pin 2-3	0.5	—	0.8		
Forward voltage	V_{F2}	Pin 1-3	—	—	0.55	V	$I_F = 500\text{mA}$
		Pin 2-3	—	—	1.2		$I_F = 100\text{mA}$
Reverse current	I_R	Pin 1-3	—	—	30	μA	$V_R = 20\text{V}$
		Pin 2-3	—	—	0.1		
ESD Capability	—	200	—	—	V	*C = 200pF, Both forward and reverse direction 1 pulse	

Note: Failure Criterion; Pin 1-3 ($I_R \geq 60\mu\text{A}$ at $V_R = 20\text{V}$), Pin 2-3 ($I_R \geq 0.2\mu\text{A}$ at $V_R = 20\text{V}$)

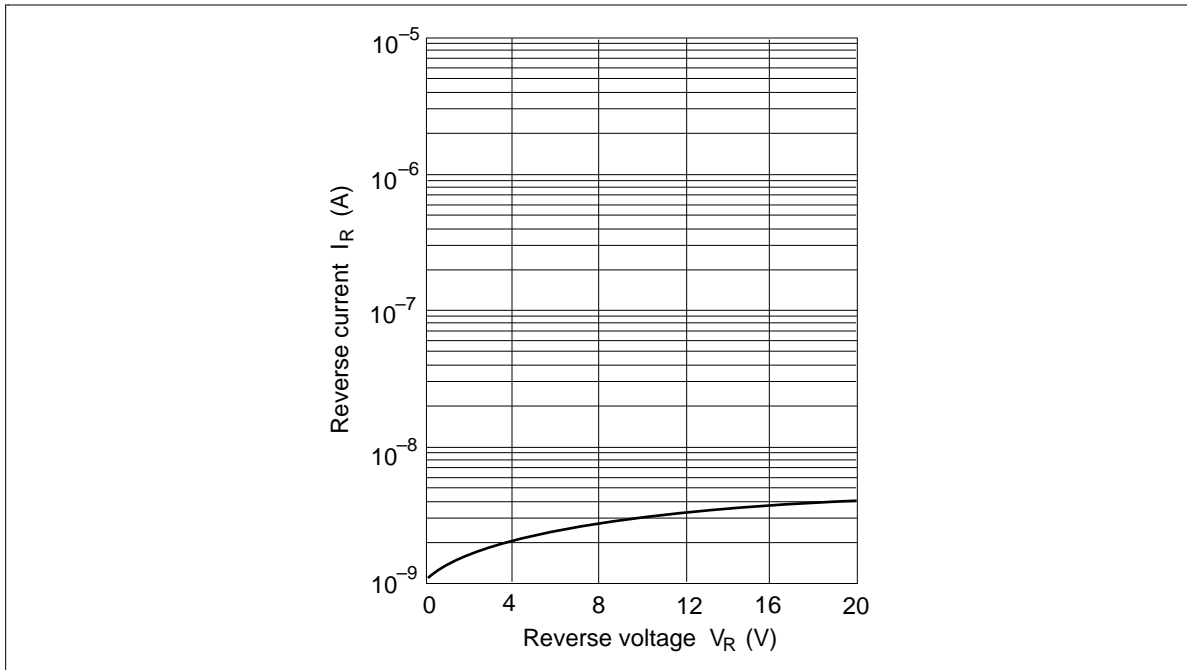
Forward current Vs. Forward voltage (Pin 1-3)**Reverse current Vs. Reverse voltage (Pin 1-3)**

HSM125WK

Forward current Vs. Forward voltage (Pin 2-3)



Reverse current Vs. Reverse voltage (Pin 2-3)



Package Dimensions

