
HSM109WK

Silicon Schottky Barrier Diode for Battery Switch

HITACHI

ADE-208-059C(Z)
Rev 3

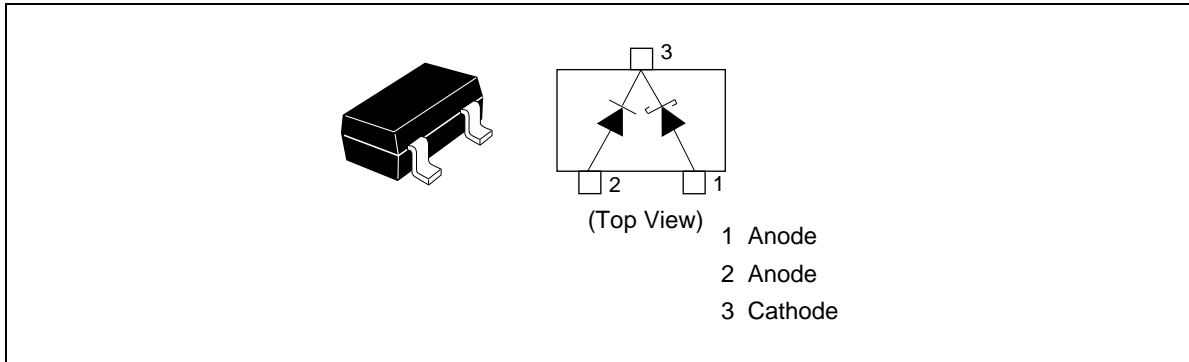
Features

- The HSM109WK has two different (V_F - I_F) chips, and can change the main battery to the backup battery automatically.
- MPAK package is suitable for high density surface mounting and high speed assembly.

Ordering Information

Type No.	Laser Mark	Package Code
HSM109WK	S7	MPAK

Outline



HSM109WK

Absolute Maximum Ratings (Ta = 25°C)

Item	Symbol	Value (Pin1-3)	Value (Pin2-3)	Unit
Peak reverse voltage	V_{RM}	10	10	V
Forward current	I_F	30	30	mA
Junction temperature	T_j	125	125	°C
Storage temperature	T_{stg}	-55 to +125	-55 to +125	°C

Electrical Characteristics (Ta = 25°C)

Item	Symbol		Min	Typ	Max	Unit	Test Condition
Forward voltage	V_F	Pin 1-3	0.1	—	0.3	V	$I_F = 1 \text{ mA}$
		Pin 2-3	0.5	—	0.8		
Reverse current	I_R	Pin 1-3	—	—	5.0	μA	$V_R = 5\text{V}$
		Pin 2-3	—	—	0.1		
ESD-Capability	—		225	—	—	V	C = 200pF , RL = 100Ω , Both forward and reverse direction 5 pulse.

Main Characteristic

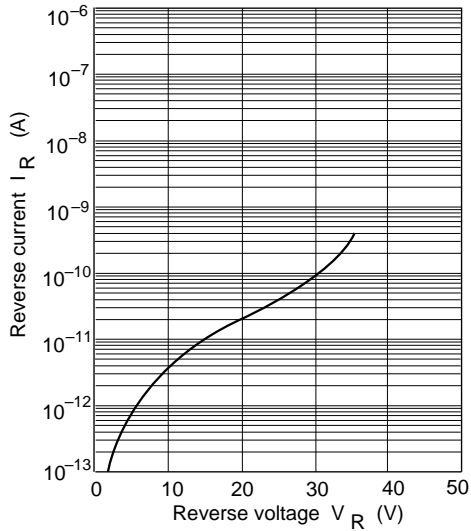


Fig.1 Reverse current Vs. Reverse voltage

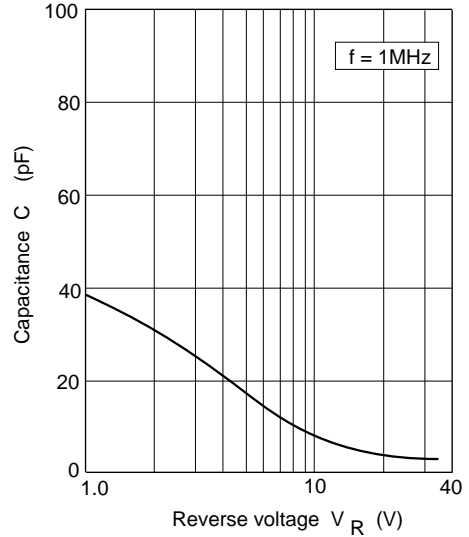


Fig.2 Capacitance Vs. Reverse voltage

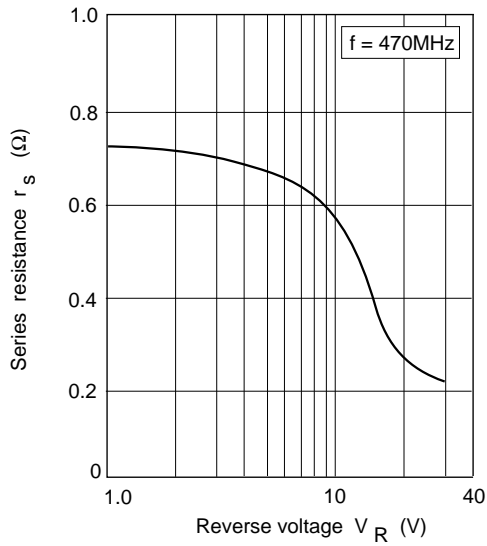


Fig.3 Series resistance Vs. Reverse voltage

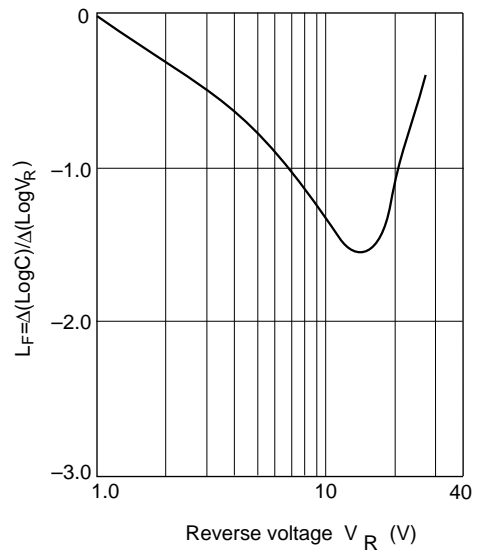


Fig.4 Linearity factor Vs. Reverse voltage

HSM109WK

Package Dimensions

Unit : mm

