

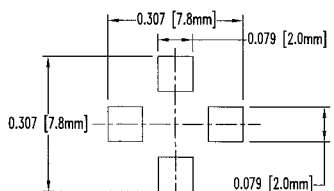
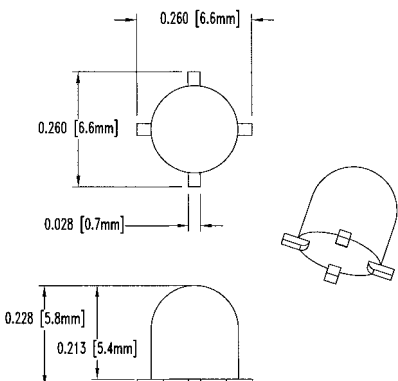


- ◆ Innovative SMD Package Allows For Full Featured Discrete LEDs With Surface Mount Flexibility
- ◆ 5mm Pixel Design Allows For Replacement Of Standard Through Hole LEDs
- ◆ Super Bright And Ultra Bright Options For Every Application
- ◆ 750 Pieces Per Reel With Smaller Quantities Available Upon Request

PT5 SERIES

Round Surface Mount Discrete

PART NO.	CHIP		LENS APPEARANCE	ABSOLUTE MAXIMUM RATINGS				ELECTRO-OPTICAL DATA @20mA			VIEWING ANGLE (deg)	INTERNAL CIRCUIT
	EMITTED COLOR	PEAK (nm)		$\Delta\lambda$ (nm)	pd (mW)	If (mA)	Peak If (mA)	Vf (V)		Iv Typ (mcd)		
								TYP	MAX			
PT5-ERC-20	RED	660	WATER CLEAR	25	100	30	150	1.80	2.30	19	22	
PT5-HC-20	HE RED	640	WATER CLEAR	23	80	30	150	1.90	2.40	52	22	
PT5-SHC-20	S HE RED	635	WATER CLEAR	25	80	30	150	1.90	2.40	67	22	
PT5-SOC-20	ORANGE	620	WATER CLEAR	18	100	30	150	1.90	2.40	75	22	
PT5-SAC-20	AMBER	610	WATER CLEAR	25	100	30	150	1.90	2.40	52	22	
PT5-UAC-20	AMBER	600	WATER CLEAR	20	100	30	150	1.90	2.40	75	22	
PT5-SYC-20	YELLOW	595	WATER CLEAR	32	100	30	150	2.00	2.50	57	22	
PT5-YC-20	YELLOW	586	WATER CLEAR	37	100	30	150	2.10	2.50	7	22	
PT5-SGC-20	S GREEN	575	WATER CLEAR	18	100	30	150	2.10	2.60	37	22	
PT5-GC-20	GREEN	565	WATER CLEAR	32	100	30	150	2.25	2.70	17	22	
PT5-UGC-20	U GREEN	525	WATER CLEAR	40	150	30	150	3.20	3.80	120	22	
PT5-UTC-20	TURQUOISE	505	WATER CLEAR	37	150	30	150	3.30	4.00	120	22	
PT5-UBWC-20	S BLUE	460	WATER CLEAR	68	150	30	150	3.40	4.00	36	22	
PT5-SBWC-20	BLUE	430	WATER CLEAR	60	150	30	150	4.00	4.50	8	22	



Recommended Soldering Pattern

