

## FC050A, FC100A, FC150A Power Modules: dc-dc Converters; 18 Vdc to 36 Vdc Input, 5 Vdc Output; 50 W to 150 W



The FC050A, FC100A, and FC150A Power Modules use advanced, surface-mount technology and deliver high-quality, compact, dc-dc conversion at an economical price.

### Applications

- Distributed and redundant power architectures
- Telecommunications

### Options

- Output voltage set-point adjustment (trim)

### Description

The FC050A, FC100A, and FC150A Power Modules are dc-dc converters that operate over an input voltage range of 18 Vdc to 36 Vdc and provide a precisely regulated dc output. The outputs are fully isolated from the inputs, allowing versatile polarity configurations and grounding connections. The modules have maximum power ratings from 50 W to 150 W at a typical full-load efficiency of 81%.

Built-in filtering, for both the input and output of each device, eliminates the need for external filters. Two or more modules may be paralleled with forced load sharing for redundant or enhanced power applications. The package, which mounts on a printed-circuit board, accommodates a heat sink for high-temperature applications.

### Features

- Wide input range
- High efficiency: 81% typical
- Parallel operation with load sharing
- Low profile: 12.7 mm (0.5 in.)
- Complete input and output filtering
- Constant frequency
- Case ground pin
- Input-to-output isolation
- Remote sense
- Remote on/off
- Short-circuit protection
- Output overvoltage clamp
- *UL*\* Recognized, *CSA*† Certified, *TÜV*‡ Licensed

\* *UL* is a registered trademark of Underwriters Laboratories, Inc.

† *CSA* is a registered trademark of Canadian Standards Association.

‡ *TÜV* is a registered trademark of Technischer Überwachungs-Verein.

## Absolute Maximum Ratings

Stresses in excess of the absolute maximum ratings can cause permanent damage to the device. These are absolute stress ratings only. Functional operation of the device is not implied at these or any other conditions in excess of those given in the operations sections of the data sheet. Exposure to absolute maximum ratings for extended periods can adversely affect device reliability.

Parameter	Symbol	Min	Max	Unit
Input Voltage (continuous)	$V_i$	—	36	Vdc
I/O Isolation Voltage	—	—	500	V
Operating Case Temperature (See Thermal Considerations section and Figure 18.)	$T_c$	0	90	°C
Storage Temperature	$T_{stg}$	-55	125	°C

## Electrical Specifications

Unless otherwise indicated, specifications apply over all operating input voltage, resistive load, and temperature conditions.

**Table 1. Input Specifications**

Parameter	Symbol	Min	Typ	Max	Unit
Operating Input Voltage	$V_i$	18	28	36	Vdc
Maximum Input Current ( $V_i = 0$ V to 36 V):					
FC050A	$I_{i, max}$	—	—	4	A
FC100A	$I_{i, max}$	—	—	8	A
FC150A	$I_{i, max}$	—	—	12	A
Inrush Transient	$i^2t$	—	—	2.0	A <sup>2</sup> s
Input Reflected-ripple Current, Peak-to-peak (5 Hz to 20 MHz, 12 $\mu$ H source impedance; see Figure 9.)	—	—	40	—	mAp-p
Input Ripple Rejection (120 Hz)	—	—	60	—	dB

## Fusing Considerations

**CAUTION: This power module is not internally fused. An input line fuse must always be used.**

This encapsulated power module can be used in a wide variety of applications, ranging from simple stand-alone operation to an integrated part of a sophisticated power architecture. To preserve maximum flexibility, internal fusing is not included; however, to achieve maximum safety and system protection, always use an input line fuse. The safety agencies require a normal-blow, dc fuse with a maximum rating of 15 A (see Safety Considerations section). Based on the information provided in this data sheet on inrush energy and maximum dc input current, the same type of fuse with a lower rating can be used. Refer to the fuse manufacturer's data for further information.

## Electrical Specifications (continued)

**Table 2. Output Specifications**

Parameter	Symbol	Min	Typ	Max	Unit
Output Voltage (Over all operating input voltage, resistive load, and temperature conditions until end of life; see Figure 10 and Feature Descriptions.)	$V_o$	4.75	—	5.25	Vdc
Output Voltage Set Point ( $V_i = 28\text{ V}$ ; $I_o = I_{o, \max}$ ; $T_c = 25\text{ }^\circ\text{C}$ ): Unit Operating in Parallel or PARALLEL Pin Shorted to SENSE(–) (See Figure 10 and Feature Descriptions.)	$V_{o, \text{set}}$	4.90	5.00	5.10	Vdc
PARALLEL Pin Open	$V_{o, \text{set}}$	4.90	5.00	5.20	Vdc
Output Regulation: Line ( $V_i = 18\text{ V to }36\text{ V}$ )	—	—	0.05	0.20	%
Load ( $I_o = I_{o, \min}$ to $I_{o, \max}$ )	—	—	0.2	0.4	%
Temperature ( $T_c = 0\text{ }^\circ\text{C to }90\text{ }^\circ\text{C}$ )	—	—	10	50	mV
Output Ripple and Noise Voltage (See Figure 5 and Figure 11.): RMS	—	—	—	50	mVrms
Peak-to-peak (5 Hz to 20 MHz)	—	—	—	100	mVp-p
Output Current (At $I_o < I_{o, \min}$ , the modules may exceed output ripple specifications.): FC050A	$I_o$	1	—	10	A
FC100A	$I_o$	1	—	20	A
FC150A	$I_o$	1	—	30	A
Output Current-limit Inception ( $V_o = 4.5\text{ V}$ ; see Figure 2 and Feature Descriptions.)	—	103	—	130	% $I_{o, \max}$
Output Short-circuit Current ( $V_o = 250\text{ mV}$ ; see Figure 2.)	—	—	135	170	% $I_{o, \max}$
External Load Capacitance (electrolytic, total for one unit or multiple paralleled units): FC050A	—	0	—	2200	$\mu\text{F}$
FC100A	—	0	—	5000	$\mu\text{F}$
FC150A	—	0	—	5000	$\mu\text{F}$
Efficiency ( $V_i = 28\text{ V}$ ; $I_o = I_{o, \max}$ ; $T_c = 25\text{ }^\circ\text{C}$ ; see Figure 3, Figure 4, and Figure 10.)	$\eta$	80	81	—	%
Dynamic Response ( $\Delta I_o/\Delta t = 1\text{ A}/10\text{ }\mu\text{s}$ , $V_i = 28\text{ V}$ , $T_c = 25\text{ }^\circ\text{C}$ ; see Figure 6 and Figure 7.): Load Change from $I_o = 50\%$ to $75\%$ of $I_{o, \max}$ : Peak Deviation	—	—	150	—	mV
Settling Time ( $V_o < 10\%$ of peak deviation)	—	—	300	—	$\mu\text{s}$
Load Change from $I_o = 50\%$ to $25\%$ of $I_{o, \max}$ : Peak Deviation	—	—	150	—	mV
Settling Time ( $V_o < 10\%$ of peak deviation)	—	—	300	—	$\mu\text{s}$

## Electrical Specifications (continued)

Table 3. Isolation Specifications

Parameter	Min	Typ	Max	Unit
Isolation Capacitance	—	1700	—	pF
Isolation Resistance	10	—	—	MΩ

## General Specifications

Parameter	Min	Typ	Max	Unit
Calculated MTBF ( $I_o = 80\%$ of $I_{o, max}$ ; $T_c = 40\text{ °C}$ )	2,000,000			hours
Weight	—	—	200 (7)	g (oz.)

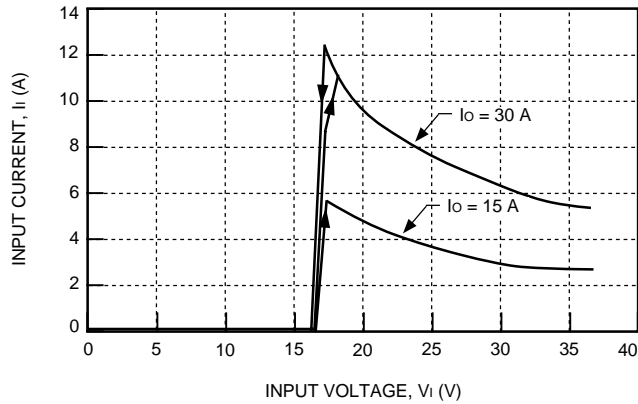
## Feature Specifications

Unless otherwise indicated, specifications apply over all operating input voltage, resistive load, and temperature conditions. See Feature Descriptions for further information.

Parameter	Symbol	Min	Typ	Max	Unit
Remote On/Off Signal Interface ( $V_i = 0\text{ V}$ to $36\text{ V}$ ; open collector or equivalent compatible; signal referenced to $V_i(-)$ terminal; see Figure 12 and Feature Descriptions.): Logic Low—Module On Logic High—Module Off Logic Low: At $I_{on/off} = 1.0\text{ mA}$ At $V_{on/off} = 0.0\text{ V}$ Logic High: At $I_{on/off} = 0.0\text{ μA}$ Leakage Current Turn-on Time ( $I_o = 80\%$ of $I_{o, max}$ ; $V_o$ within $\pm 1\%$ of steady state)	    $V_{on/off}$ $I_{on/off}$  $V_{on/off}$ $I_{on/off}$  —	   0 —  — — —	   — — — — 5	   1.2 1.0  18 50 10	   V mA  V μA ms
Output Voltage Adjustment (See Feature Descriptions.): Output Voltage Remote-sense Range Output Voltage Set-point Adjustment Range (trim)	  — —	  — 90	  — —	  0.6 110	  V % $V_{O, nom}$
Parallel Operation Load Sharing (See Feature Descriptions.)	—	—	—	20	% $I_{o, max}$
Output Overvoltage Clamp	$V_{O, clamp}$	5.8	6.25	7.0	V

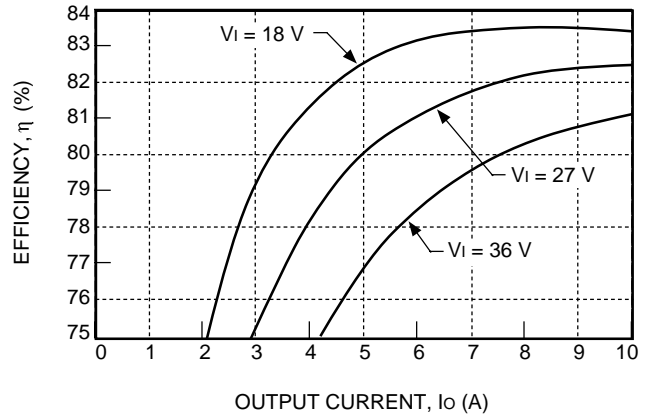
## Characteristic Curves

The following figures provide typical characteristics for the FC150A Power Module. The FC050A and FC100A characteristics are similar to the FC150A characteristics provided here, scaled by power level where appropriate.



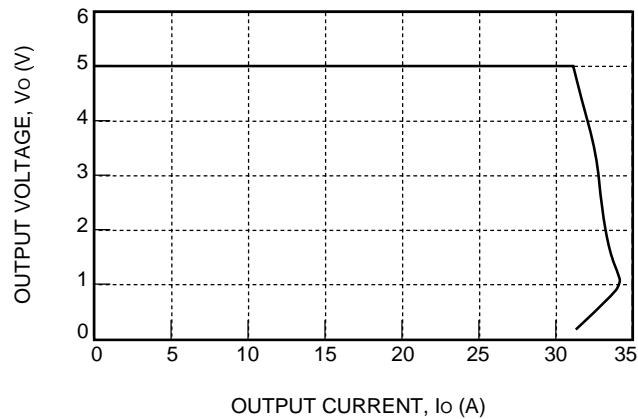
8-832(C)

Figure 1. Typical FC150A Input Characteristics at Room Temperature



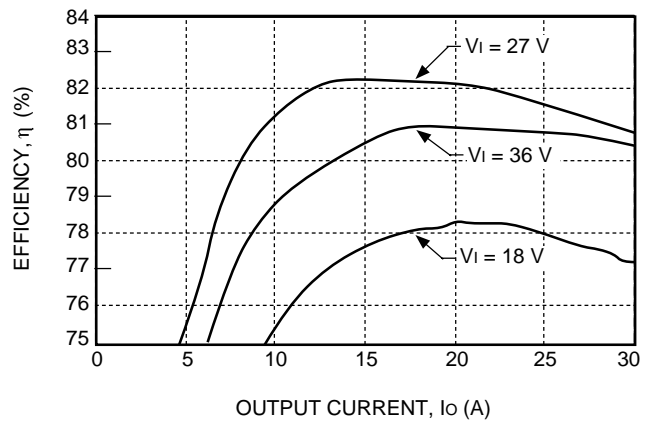
8-764(C)

Figure 3. Typical FC050A Efficiency vs. Output Current at Room Temperature



8-766(C)

Figure 2. Typical FC150A Output Characteristics at Room Temperature and 28 V Input



8-765(C)

Figure 4. Typical FC150A Efficiency vs. Output Current at Room Temperature

Characteristic Curves (continued)

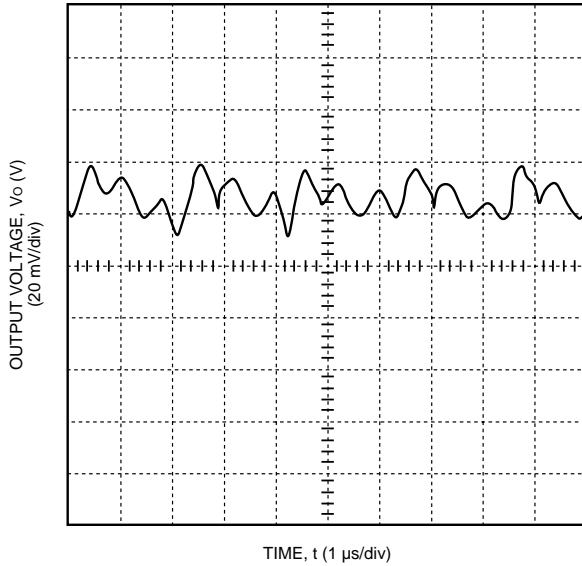


Figure 5. Typical FC150A Output Ripple Voltage at Room Temperature, 28 V Input, and 30 A Output

8-833(C)

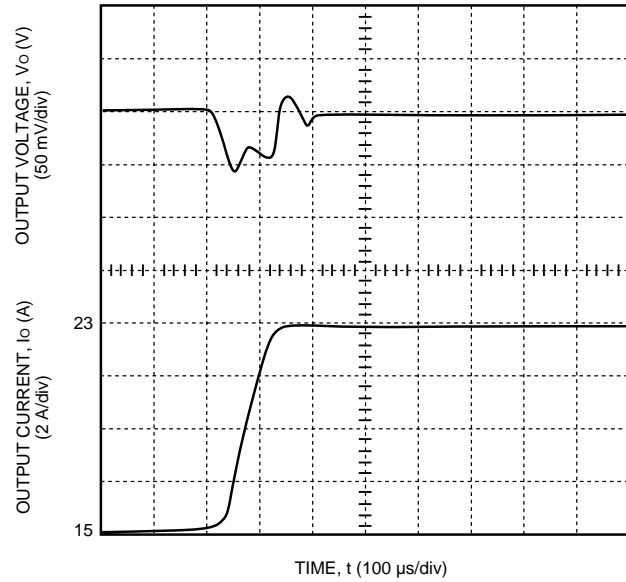


Figure 7. Typical FC150A Transient Response to Step Increase in Load from 50% to 75% of Full Load at Room Temperature and 28 V Input (Waveform Averaged to Eliminate Ripple Component.)

8-835(C)

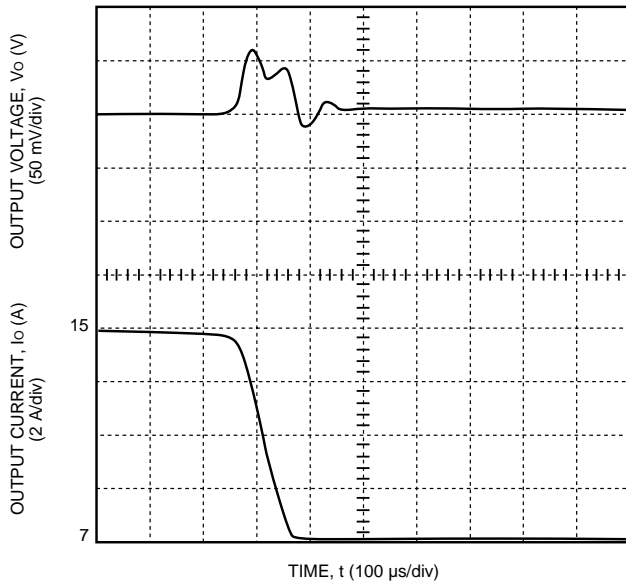


Figure 6. Typical FC150A Transient Response to Step Decrease in Load from 50% to 25% of Full Load at Room Temperature and 28 V Input (Waveform Averaged to Eliminate Ripple Component.)

8-834(C)

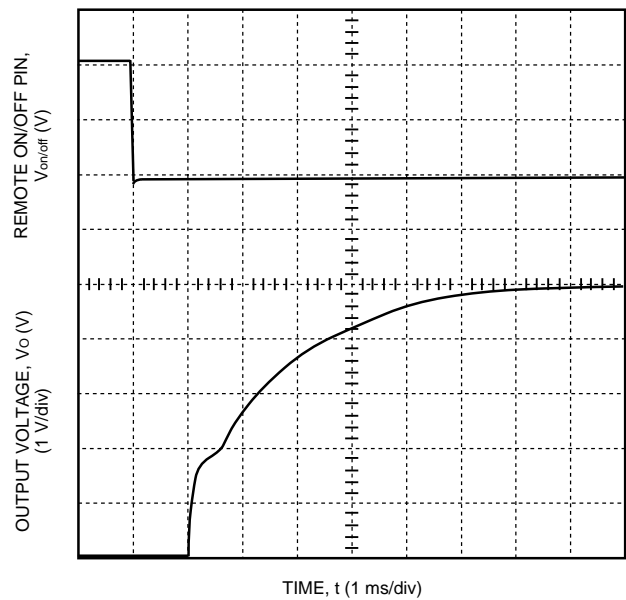
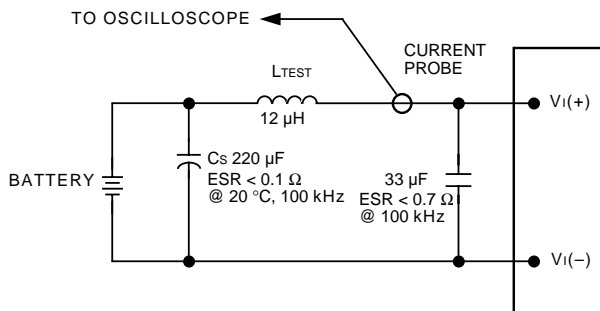


Figure 8. Typical FC150A Start-Up Transient at Room Temperature, 28 V Input, and 30 A Output

8-836(C)

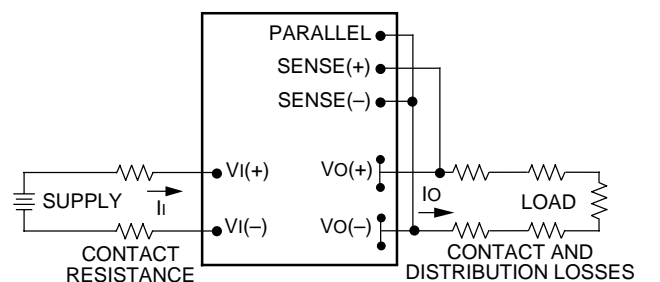
## Test Configurations



8-203(C).I

Note: Measure input reflected-ripple current with a simulated source inductance ( $L_{TEST}$ ) of 12  $\mu$ H. Capacitor  $C_s$  offsets possible battery impedance. Measure current as shown above.

**Figure 9. Input Reflected-Ripple Test Setup**

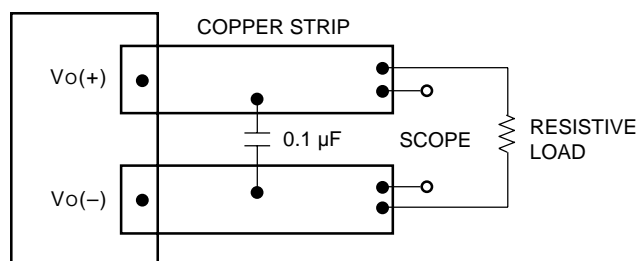


8-683(C).c

Note: All measurements are taken at the module terminals. When socketing, place Kelvin connections at module terminals to avoid measurement errors due to socket contact resistance.

$$\eta = \left( \frac{[V_{O(+)} - V_{O(-)}] I_o}{[V_{I(+)} - V_{I(-)}] I_i} \right) \times 100$$

**Figure 10. Output Voltage and Efficiency Measurement Test Setup**



8-513(C)

Note: Use a 0.1  $\mu$ F ceramic capacitor. Scope measurement should be made using a BNC socket. Position the load between 50 mm and 80 mm (2 in. and 3 in.) from the module.

**Figure 11. Peak-to-Peak Output Noise Measurement Test Setup**

## Design Considerations

### Input Source Impedance

The power module should be connected to a low ac-impedance input source. Highly inductive source impedances can affect the stability of the power module. For the test configuration in Figure 9, a 33  $\mu$ F electrolytic capacitor (ESR < 0.7  $\Omega$  at 100 kHz) mounted close to the power module helps ensure stability of the unit. For other highly inductive source impedances, consult the factory for further application guidelines.

### Safety Considerations

For safety-agency approval of the system in which the power module is used, the power module must be installed in compliance with the spacing and separation requirements of the end-use safety agency standard, i.e., *UL-1950*, *CSA 22.2-950*, and *EN60950*.

For the converter output to be considered meeting the requirements of safety extra-low voltage (SELV), the input must meet SELV requirements.

If the input meets extra-low voltage (ELV) requirements, then the converter's output is considered ELV.

The input to these units is to be provided with a maximum 15 A normal-blow fuse in the ungrounded lead.

## Electrical Descriptions

### Current Limit

To provide protection in a fault (output overload) condition, the unit is equipped with internal current-limiting circuitry and can endure current limiting for an unlimited duration. At the point of current-limit inception, the unit shifts from voltage control to current control. If the output voltage is pulled very low during a severe fault, the current-limit circuit can exhibit foldback or tailout characteristics (output-current decrease or increase). The unit operates normally once the output current is brought back into its specified range.

## Feature Descriptions

### Remote On/Off

To turn the power module on and off, the user must supply a switch to control the voltage between the on/off terminal and the  $V_I(-)$  terminal ( $V_{on/off}$ ). The switch can be an open collector or equivalent (see Figure 12). A logic low is  $V_{on/off} = 0$  V to 1.2 V, during which the module is on. The maximum  $I_{on/off}$  during a logic low is 1 mA. The switch should maintain a logic-low voltage while sinking 1 mA.

During a logic high, the maximum  $V_{on/off}$  generated by the power module is 18 V. The maximum allowable leakage current of the switch at  $V_{on/off} = 18$  V is 50  $\mu$ A.

If not using the remote on/off feature, short the ON/OFF pin to  $V_I(-)$ .

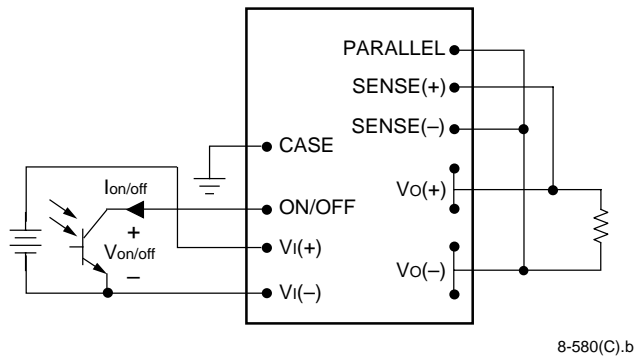


Figure 12. Remote On/Off Implementation

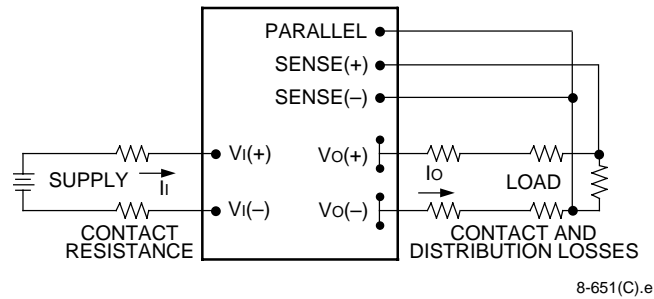
### Remote Sense

Remote sense minimizes the effects of distribution losses by regulating the voltage at the remote-sense connections. For single-unit operation, the PARALLEL pin should be connected to SENSE(-). The voltage between the remote-sense pins and the output terminals must not exceed the output voltage sense range given in the Feature Specifications table, i.e.:

$$[V_O(+)-V_O(-)]-[SENSE(+)-SENSE(-)] \leq 0.6 \text{ V}$$

The voltage between the  $V_O(+)$  and  $V_O(-)$  terminals must not exceed the minimum output overvoltage clamp value shown in the Feature Specifications table. This limit includes any increase in voltage due to remote-sense compensation and output voltage set-point adjustment (trim), see Figure 13.

If not using the remote-sense feature to regulate the output at the point of load, connect SENSE(+) to  $V_O(+)$  and SENSE(-) to  $V_O(-)$  at the module.



8-651(C).e

Figure 13. Effective Circuit Configuration for Single-Module Remote-Sense Operation

### Output Voltage Set-Point Adjustment (Trim)

When not using the trim feature, leave the TRIM pin open.

#### Adjustment with TRIM Pin

Output voltage adjustment allows the output voltage set point to be increased or decreased by adjusting an external resistor connected between the TRIM pin and either the SENSE(+) or SENSE(-) pins (see Figure 14 and Figure 15).

Connecting the external resistor ( $R_{trim-up}$ ) between the TRIM and SENSE(-) pins ( $V_{O, adj}$ ) increases the output voltage set point as defined in the following equation:

$$R_{trim-up} = \left( \frac{1.25 \times 5.620}{V_{O, adj} - 5} \right) \text{ k}\Omega$$

Connecting the external resistor ( $R_{trim-down}$ ) between the TRIM and SENSE(+) pins ( $V_{O, adj}$ ) decreases the output voltage set point as defined in the following equation:

$$R_{trim-down} = \left[ \frac{(V_{O, adj} - 1.25) \times 5.620}{5 - V_{O, adj}} \right] \text{ k}\Omega$$

The voltage between the  $V_O(+)$  and  $V_O(-)$  terminals must not exceed the minimum output overvoltage clamp value shown in the Feature Specifications table. This limit includes any increase in voltage due to remote-sense compensation and output voltage set-point adjustment (trim), see Figure 13.



Feature Descriptions (continued)

Output Voltage Set-Point Adjustment  
(Trim) (continued)

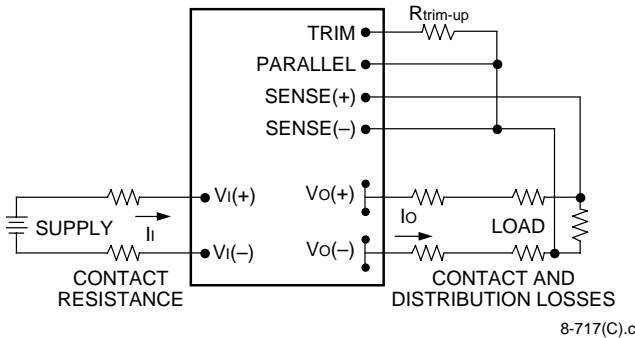


Figure 14. Circuit Configuration to Trim Up Output Voltage

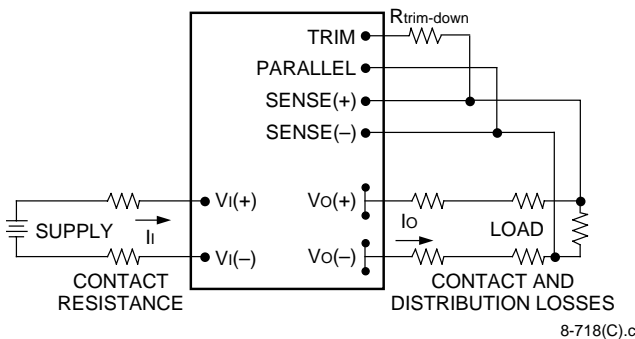


Figure 15. Circuit Configuration to Trim Down Output Voltage

Adjustment Without TRIM Pin

The output voltage can be adjusted by placing an external resistor ( $R_{adj}$ ) between the SENSE(+) and  $V_o(+)$  terminals (see Figure 16). By adjusting  $R_{adj}$ , the output voltage can be increased by 14% of the nominal output voltage. The equation below shows the resistance required to obtain the desired output voltage.

$$R_{adj} = (V_{O, adj} - V_{O, nom}) 944.3 \Omega$$

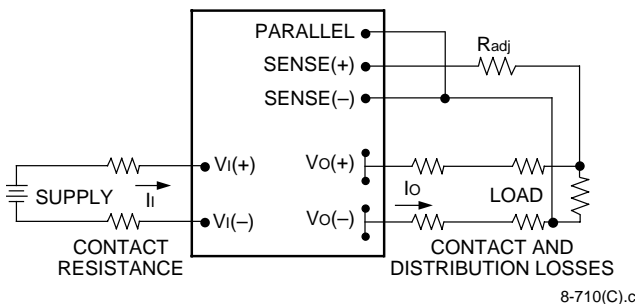


Figure 16. Circuit Configuration to Adjust Output Voltage

Forced Load Sharing (Parallel Operation)

For either redundant operation or additional power requirements, the power modules can be configured for parallel operation with forced load sharing (see Figure 17). For a typical redundant configuration, Schottky diodes or an equivalent should be used to protect against short-circuit conditions. Because of the remote sense, the forward-voltage drops across the Schottky diodes do not affect the set point of the voltage applied to the load. For additional power requirements, where multiple units are used to develop combined power in excess of the rated maximum, the Schottky diodes are not needed.

Good layout techniques should be observed for noise immunity. To implement forced load sharing, the following connections must be made:

- The parallel pins of all units must be connected together. The paths of these connections should be as direct as possible.
- All remote-sense pins should be connected to the power bus at the same point, i.e., connect all SENSE(+) pins to the (+) side of the power bus at the same point and all SENSE(-) pins to the (-) side of the power bus at the same point. Close proximity and directness are necessary for good noise immunity.

When not using the parallel feature, short the PARALLEL pin to SENSE(-).

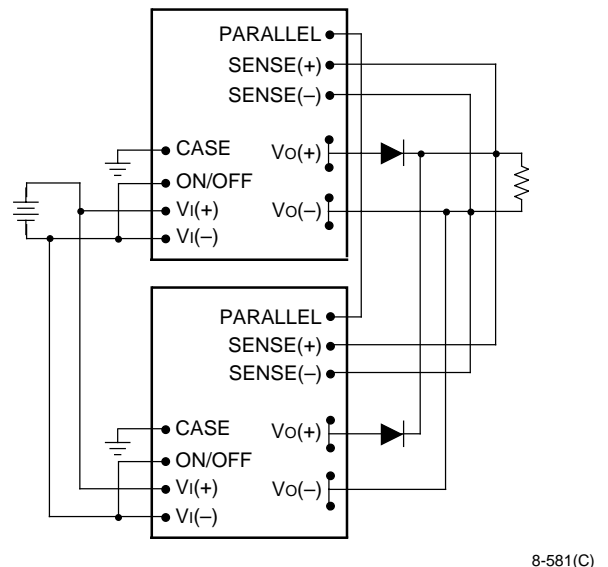


Figure 17. Wiring Configuration for Redundant Parallel Operation

## Feature Descriptions (continued)

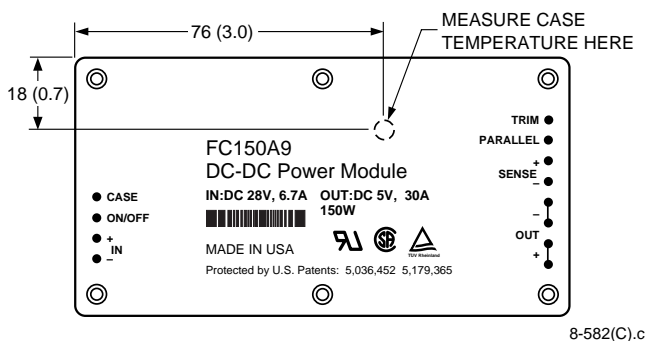
### Output Overvoltage Clamp

The output overvoltage clamp consists of control circuitry, independent of the primary regulation loop, that monitors the voltage on the output terminals. The control loop of the clamp has a higher voltage set point than the primary loop (see Feature Specifications table). This provides a redundant voltage-control that reduces the risk of output overvoltage.

## Thermal Considerations

### Introduction

The power modules operate in a variety of thermal environments; however, sufficient cooling should be provided to help ensure reliable operation of the unit. Heat-dissipating components inside the unit are thermally coupled to the case. Heat is removed by conduction, convection, and radiation to the surrounding environment. Proper cooling can be verified by measuring the case temperature. Peak temperature occurs at the position indicated in Figure 18.



Note: Top view, measurements shown in millimeters and (inches).  
Pin locations are for reference only.

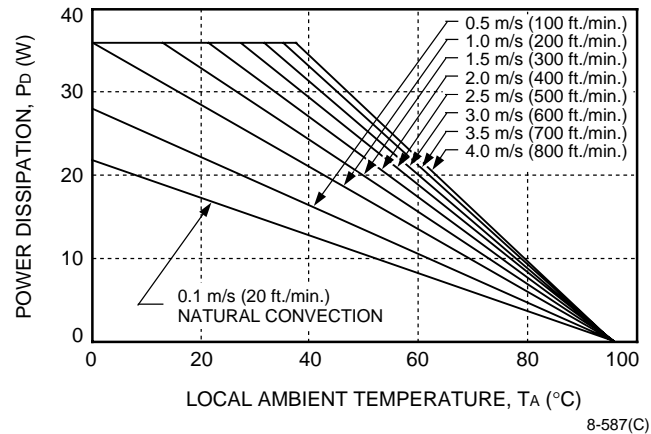
**Figure 18. Case Temperature Measurement Location**

The temperature at this location should not exceed 95 °C. The maximum case temperature can be limited to a lower value for extremely high reliability. The output power of the module should not exceed the rated power for the module as listed in the Ordering Information table.

For additional information about these modules, refer to the *hermal Management for High-Power Board-Mounted Power Modules* Technical Note (TN97-009EPS).

## Heat Transfer Without Heat Sinks

Derating curves for forced-air cooling without a heat sink are shown in Figure 19. These curves can be used to determine the appropriate airflow for a given set of operating conditions. For example, if the unit dissipates 20 W of heat, the correct airflow in a 40 °C environment is 1.0 m/s (200 ft./min.).



**Figure 19. Power Derating vs. Local Ambient Temperature and Air Velocity**

## Heat Transfer with Heat Sinks

The power modules have threaded #4-40 fasteners, which enable heat sinks or cold plates to be attached to the module. The mounting torque must not exceed 0.56 N-m (5 in.-lb.).

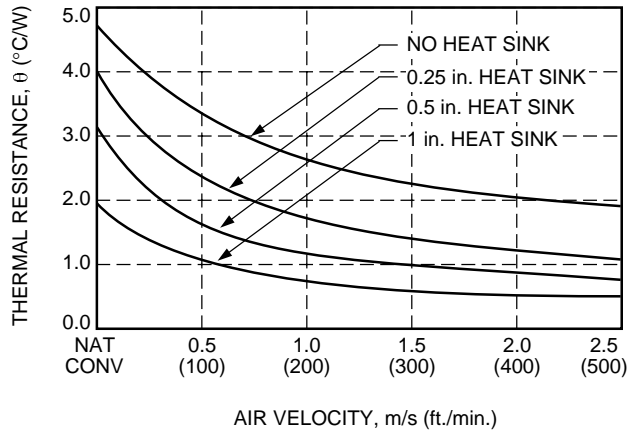
Thermal derating with heat sinks is expressed by using the overall thermal resistance of the module. Total module thermal resistance ( $\theta_{ca}$ ) is defined as the maximum case temperature rise ( $\Delta T_{C, \max}$ ) divided by the module power dissipation ( $P_D$ ):

$$\theta_{ca} = \left[ \frac{\Delta T_{C, \max}}{P_D} \right] = \left[ \frac{(T_C - T_A)}{P_D} \right]$$

The location to measure case temperature ( $T_C$ ) is shown in Figure 18. Case-to-ambient thermal resistance vs. airflow for various heat sink configurations is shown in Figure 20 and Figure 21. These curves were obtained by experimental testing of heat sinks, which are offered in the product catalog.

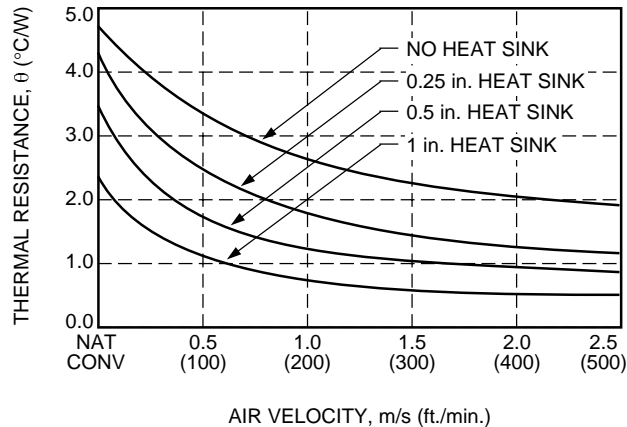
**Thermal Considerations** (continued)

**Heat Transfer with Heat Sinks** (continued)



8-696(C)

**Figure 20. Heat Sink Resistance Curves; Fins Oriented Along Width**

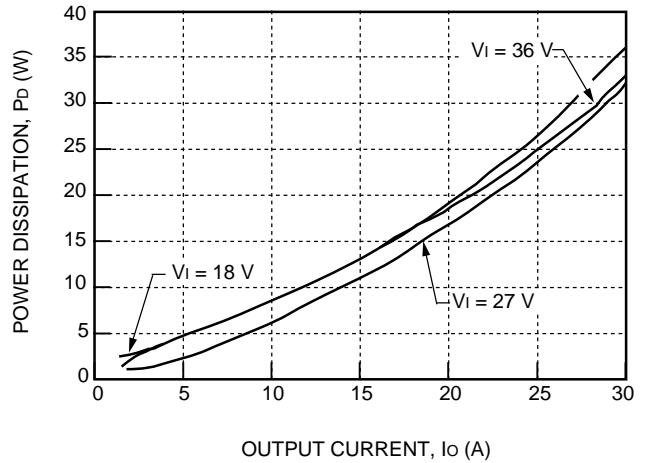


8-697(C)

**Figure 21. Heat Sink Resistance Curves; Fins Oriented Along Length**

These measured resistances are from heat transfer from the sides and bottom of the module as well as the top side with the attached heat sink; therefore, the case-to-ambient thermal resistances shown are generally lower than the resistance of the heat sink by itself. The module used to collect the data in Figure 20 and Figure 21 had a thermal-conductive dry pad between the case and the heat sink to minimize contact resistance.

To choose a heat sink, determine the power dissipated as heat by the unit for the particular application. Figure 22 shows typical heat dissipation for a range of output currents and three voltages for the FC050A, FC100A, and FC150A.



8-709(C)

**Figure 22. Power Dissipation as Heat vs. Output Current**

**Example**

If an 85 °C case temperature is desired, what is the minimum airflow necessary? Assume the FC150A module is operating at nominal line and an output current of 23 A, maximum ambient air temperature of 40 °C, and the heat sink is 0.5 inch.

**Solution**

Given:  $V_i = 28 \text{ V}$   
 $I_o = 23 \text{ A}$   
 $T_A = 40 \text{ }^\circ\text{C}$   
 $T_C = 85 \text{ }^\circ\text{C}$   
 Heat sink = 0.5 inch.

Determine  $P_D$  by using Figure 22:

$$P_D = 21 \text{ W}$$

Then solve the following equation:

$$\theta_{ca} = \left[ \frac{(T_C - T_A)}{P_D} \right]$$

$$\theta_{ca} = \left[ \frac{(85 - 40)}{21} \right]$$

$$\theta_{ca} = 2.14 \text{ }^\circ\text{C/W}$$

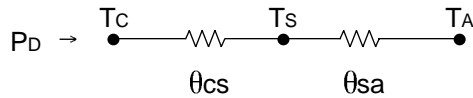
Use Figure 20 and Figure 21 to determine air velocity for the 0.5 inch heat sink. The minimum airflow necessary for the FC150A module depends on heat sink fin orientation and is shown below:

- 0.2 m/s (50 ft./min.) (oriented along width)
- 0.3 m/s (60 ft./min.) (oriented along length)

## Thermal Considerations (continued)

### Custom Heat Sinks

A more detailed model can be used to determine the required thermal resistance of a heat sink to provide necessary cooling. The total module resistance can be separated into a resistance from case-to-sink ( $\theta_{cs}$ ) and sink-to-ambient ( $\theta_{sa}$ ) shown below (Figure 23).



8-1304(C)

**Figure 23. Resistance from Case-to-Sink and Sink-to-Ambient**

For a managed interface using thermal grease or foils, a value of  $\theta_{cs} = 0.1 \text{ }^\circ\text{C/W}$  to  $0.3 \text{ }^\circ\text{C/W}$  is typical. The solution for heat sink resistance is:

$$\theta_{sa} = \left[ \frac{(T_C - T_A)}{P_D} \right] - \theta_{cs}$$

This equation assumes that all dissipated power must be shed by the heat sink. Depending on the user-defined application environment, a more accurate model, including heat transfer from the sides and bottom of the module, can be used. This equation provides a conservative estimate for such instances.

### Layout Considerations

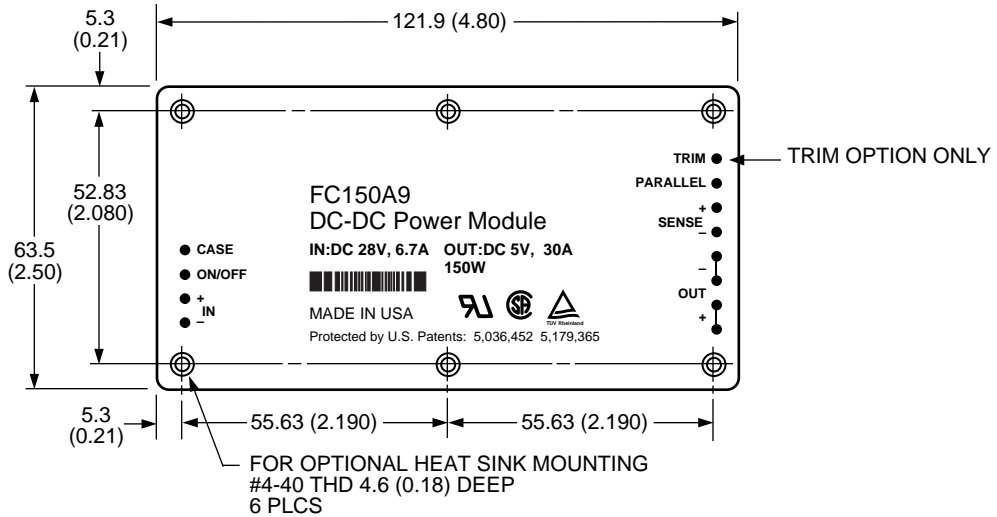
Copper paths must not be routed beneath the power module standoffs.

## Outline Diagram

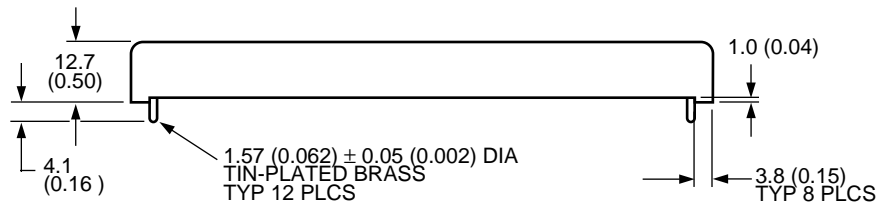
Dimensions are in millimeters and (inches).

Tolerances: x.x mm ± 0.5 mm (x.xx in. ± 0.02 in.),  
x.xx mm ± 0.25 mm (x.xxx in. ± 0.010 in.)

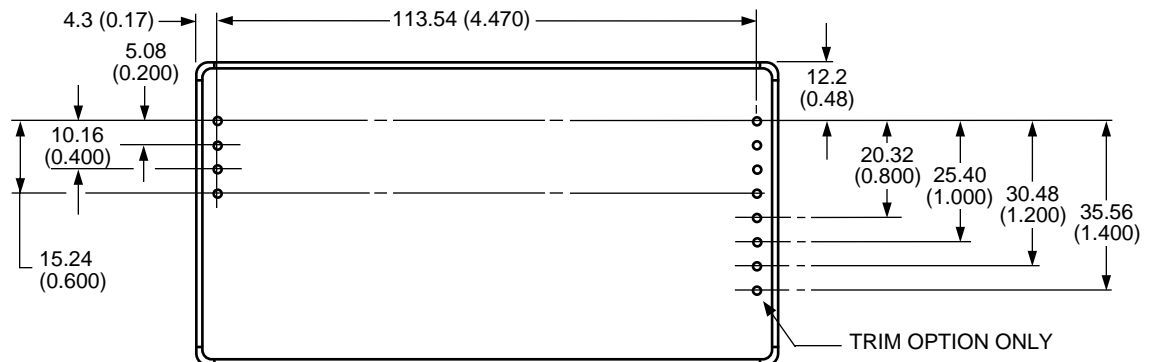
### Top View



### Side View



### Bottom View

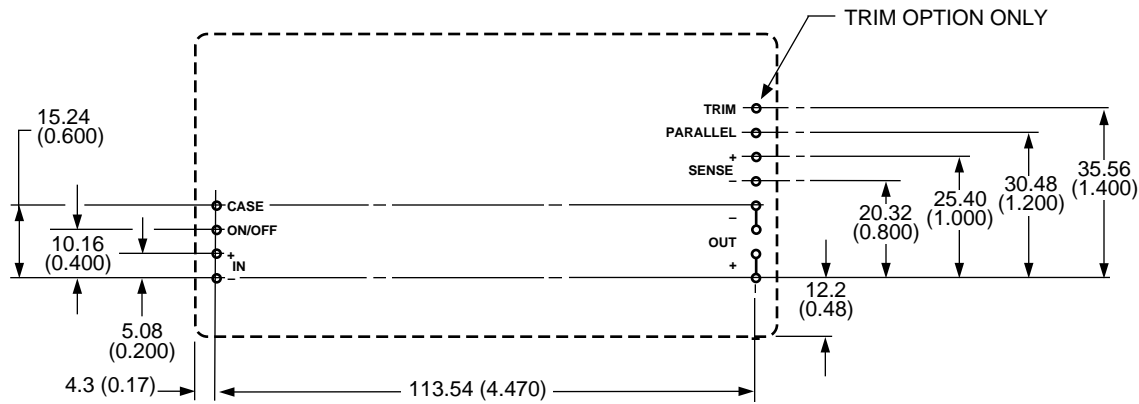


8-719(C).v

## Recommended Hole Pattern

Component-side footprint.

Dimensions are in millimeters and (inches).



8-719(C).v

## Ordering Information

**This family of modules is not recommended for new designs.** For new designs, we recommend the JFC family of power modules. Please contact your Tyco Electronics' Account Manager or Field Application Engineer for pricing and availability.

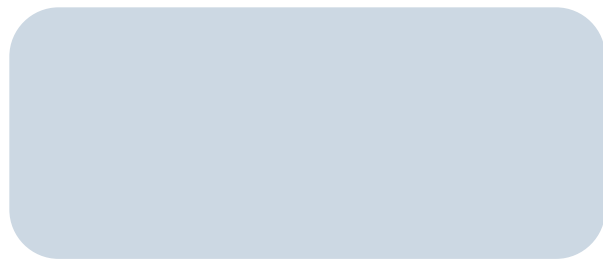
Optional TRIM pin is designated by the ending 9 in device code name.

Input Voltage	Output Voltage	Output Power	Trim	Device Code	Comcode
28 V	5 V	50 W	Yes	FC050A9	106706351
28 V	5 V	100 W	Yes	FC100A9	106706344
28 V	5 V	150 W	Yes	FC150A9	106706336
28 V	5 V	50 W	No	FC050A	106441389
28 V	5 V	100 W	No	FC100A	106441397
28 V	5 V	150 W	No	FC150A	106441405

## Notes



**Tyco Electronics Power Systems, Inc.**  
3000 Skyline Drive, Mesquite, TX 75149, USA  
**+1-800-526-7819** FAX: +1-888-315-5182  
(Outside U.S.A.: **+1-972-284-2626**, FAX: +1-972-284-2900  
<http://power.tycoelectronics.com>



---

Tyco Electronics Corporation reserves the right to make changes to the product(s) or information contained herein without notice. No liability is assumed as a result of their use or application. No rights under any patent accompany the sale of any such product(s) or information.

© 2001 Tyco Electronics Corporation, Harrisburg, PA. All International Rights Reserved.  
Printed in U.S.A.

May 1998  
DS97-288EPS (Replaces DS92-062EPS)

