

REV. Status

REVISION - 3/16/91 TS
REVISION A TEMECULA WAS CARSON. UPDATED LABELS 12/15/93 TS
REVISION B REFORMATTED 6/17/93 TS
REVISION C ADDED DUAL MARKING 11/05/99 TS

THREE FLANGE BOBBIN POWER TRANSFORMER

A. Electrical Specifications (@ 25° C)

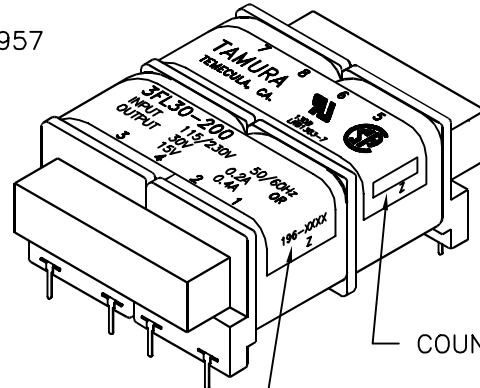
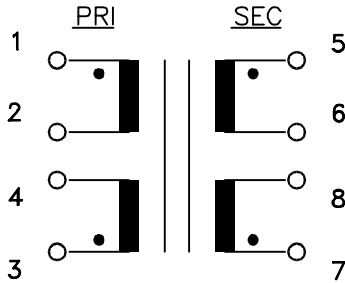
1. Input Voltage and Frequency; 115/230V 50/60Hz
2. Output Voltage; 30V±5% @ 0.2A load, series  
15V±5% @ 0.4A load, parallel
3. Output Power; 6VA
4. Insulation Resistance;  
100MΩ MIN @ 500VDC, Pri to Sec, Pri to Core, Sec to Core
5. Hi-Pot;  
1500Vrms 1 minute @ Pri to Sec, Pri to Core  
1500Vrms 1 minute @ Sec to Core
6. Temperature Rating; 130°C (UL Class "B")

B. Marking; 3FL30-200, TAMURA TEMECULA CA, MICROTRAN, PF6-30, date code, country of origin, input and output ratings, terminal numbers, safety symbols and "130B".

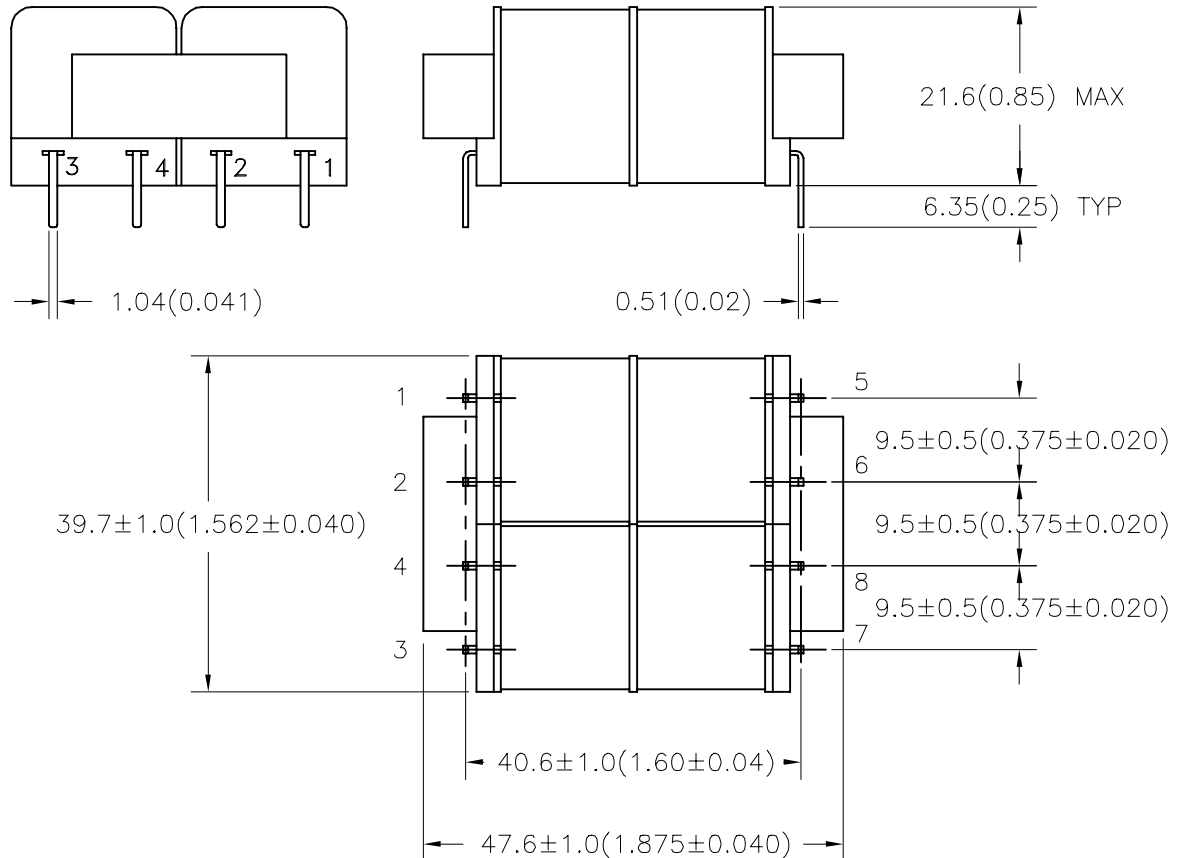
C. Safety:

UL approved, file E145619.  
Insulation Class B (130° C) File E92957  
CSA Certified, file LR81383-7

D. Schematic Diagram:



E. Mechanical Specifications:



PREPARED BY:

D. Rund

ENGINEER:

T. Shiozawa

QUALITY CONTROL:

D. Kelley

APPROVED:

D. Kelley

DWG CONTROL NO.  
P-A1-10588  
ACAD\3F\A1105881.DWG

REV  
C

3 FLANGE BOBBIN  
POWER TRANSFORMER

**TAMURA CORPORATION OF AMERICA**  
43352 BUSINESS PARK DRIVE, TEMECULA, CA. 92590-6624  
(909) 699-1270 FAX 9096769482

**3FL30-200**

MODEL SPECIFICATION

DIM: UNITS    SCL: SCALE    SH: SH OF SHTS

PROPRIETARY NOTICE: THIS DRAWING PRINT OR DOCUMENT AND SUBJECT MATTER DISCLOSED HEREIN ARE PROPRIETARY ITEMS TO WHICH TAMURA RETAINS THE EXCLUSIVE RIGHT OF DISSEMINATION, REPRODUCTION, MANUFACTURE AND SALE. THIS DRAWING, PRINT OR DOCUMENT IS SUBMITTED IN CONFIDENCE FOR CONSIDERATION BY THE RECIPIENT ALONE UNLESS PERMISSION FOR FURTHER DISCLOSURE IS EXPRESSLY GRANTED IN WRITING.

MODEL NUMBER  
**3FL30-200**