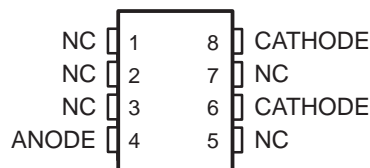


LT1004-1.2, LT1004-2.5 MICROPOWER INTEGRATED VOLTAGE REFERENCES

SLVS022H – JANUARY 1989 – REVISED JULY 1999

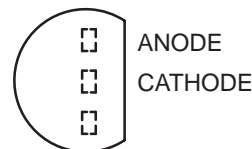
- **Initial Accuracy**
 - ± 4 mV for LT1004-1.2
 - ± 20 mV for LT1004-2.5
- **Micropower Operation**
- **Operates up to 20 mA**
- **Very Low Reference Impedance**
- **Applications:**
 - **Portable Meter Reference**
 - **Portable Test Instruments**
 - **Battery-Operated Systems**
 - **Current-Loop Instrumentation**

**D PACKAGE
(TOP VIEW)**



NC – No internal connection
Terminals 6 and 8 are internally connected.

**LP PACKAGE
(TOP VIEW)**



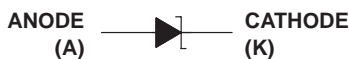
description

The LT1004 micropower voltage reference is a two-terminal band-gap reference diode designed to provide high accuracy and excellent temperature characteristics at very low operating currents. Optimizing the key parameters in the design, processing, and testing of the device results in specifications previously attainable only with selected units.

The LT1004 is a pin-for-pin replacement for the LM285 and LM385 series of references, with improved specifications. It is an excellent device for use in systems in which accuracy was previously attained at the expense of power consumption and trimming.

The LT1004C is characterized for operation from 0°C to 70°C. The LT1004I is characterized for operation from –40°C to 85°C.

symbol



AVAILABLE OPTIONS

T _A	V _Z TYP	PACKAGED DEVICES		CHIP FORM (Y)
		SMALL OUTLINE (D)	PLASTIC (LP)	
0°C to 70°C	1.2 V	LT1004CD-1.2	LT1004CLP-1.2	LT1004Y-1.2
	2.5 V	LT1004CD-2.5	LT1004CLP-2.5	LT1004Y-2.5
–40°C to 85°C	1.2 V	LT1004ID-1.2	LT1004ILP-1.2	—
	2.5 V	LT1004ID-2.5	LT1004ILP-2.5	—

For ordering purposes, the decimal point in the part number must be replaced with a hyphen (e.g., show the -1.2 suffix as -1-2 and the -2.5 suffix as -2-5). The D package is available taped and reeled. Add the R suffix to the device type (e.g., LT1004CDR-1-2). Chip forms are tested at 25°C.



Please be aware that an important notice concerning availability, standard warranty, and use in critical applications of Texas Instruments semiconductor products and disclaimers thereto appears at the end of this data sheet.

PRODUCTION DATA information is current as of publication date. Products conform to specifications per the terms of Texas Instruments standard warranty. Production processing does not necessarily include testing of all parameters.

 **TEXAS
INSTRUMENTS**

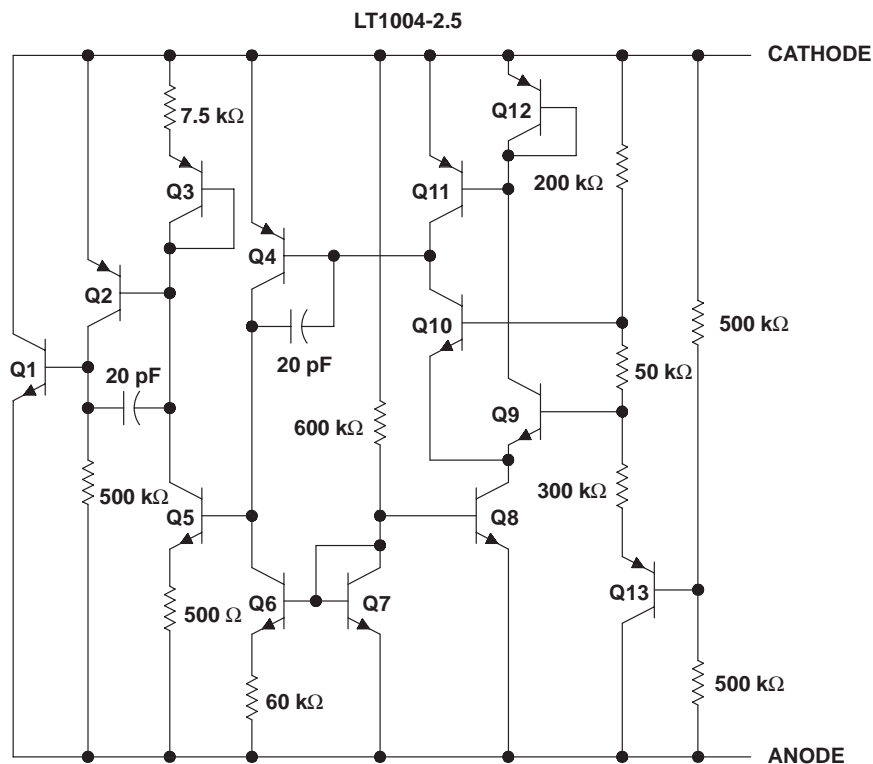
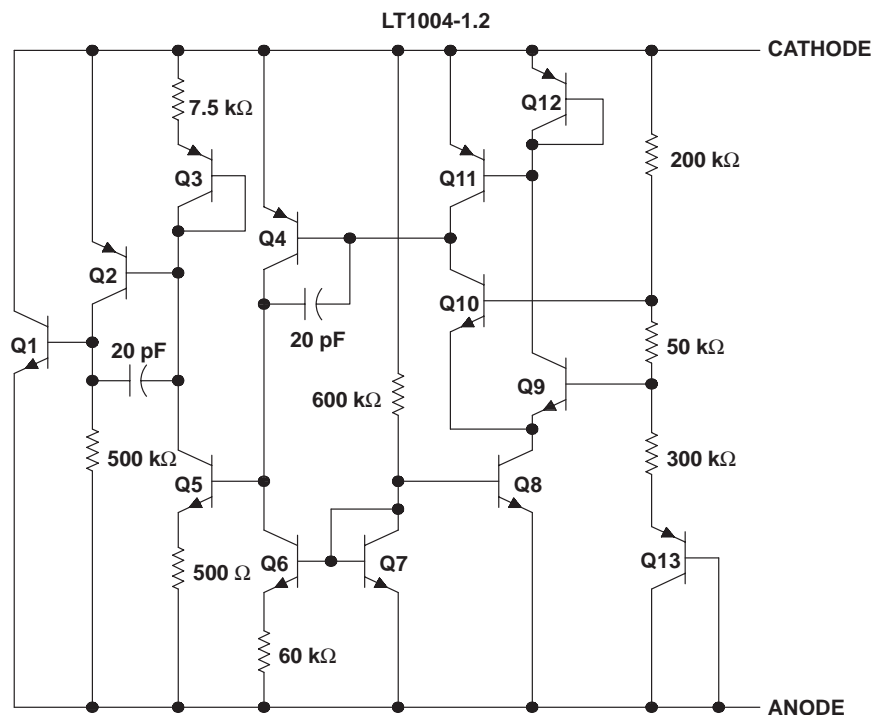
POST OFFICE BOX 655303 • DALLAS, TEXAS 75265

Copyright © 1999, Texas Instruments Incorporated

LT1004-1.2, LT1004-2.5 MICROPOWER INTEGRATED VOLTAGE REFERENCES

SLVS022H – JANUARY 1989 – REVISED JULY 1999

schematic



NOTE A: All component values shown are nominal.



POST OFFICE BOX 655303 • DALLAS, TEXAS 75265

LT1004-1.2, LT1004-2.5 MICROPOWER INTEGRATED VOLTAGE REFERENCES

SLVS022H – JANUARY 1989 – REVISED JULY 1999

absolute maximum ratings over operating free-air temperature range (unless otherwise noted)†

Reverse current, I_R	30 mA
Forward current, I_F	10 mA
Package thermal impedance, θ_{JA} (see Notes 1 and 2): D package	97°C/W
LP package	156°C/W
Lead temperature 1,6 mm (1/16 inch) from case for 10 seconds	260°C
Storage temperature range, T_{Stg}	–65°C to 150°C

† Stresses beyond those listed under “absolute maximum ratings” may cause permanent damage to the device. These are stress ratings only, and functional operation of the device at these or any other conditions beyond those indicated under “recommended operating conditions” is not implied. Exposure to absolute-maximum-rated conditions for extended periods may affect device reliability.

- NOTES: 1. Maximum power dissipation is a function of $T_J(\max)$, θ_{JA} , and T_A . The maximum allowable power dissipation at any allowable ambient temperature is $P_D = (T_J(\max) - T_A)/\theta_{JA}$. Operating at the absolute maximum T_J of 150°C can impact reliability.
2. The package thermal impedance is calculated in accordance with JEDEC 51, except for through-hole packages, which use a trace length of zero.

recommended operating conditions

		MIN	MAX	UNIT
Operating free-air temperature, T_A	LT1004C	0	70	°C
	LT1004I	–40	85	

electrical characteristics at specified free-air temperature

PARAMETER	TEST CONDITIONS	T_A ‡	LT1004-1.2			LT1004-2.5			UNIT
			MIN	TYP	MAX	MIN	TYP	MAX	
V_Z Reference voltage	$I_Z = 100 \mu A$	25°C	1.231	1.235	1.239	2.48	2.5	2.52	V
		Full range	LT1004C	1.225	1.245	2.47	2.53		
			LT1004I	1.225	1.245	2.47	2.53		
α_{V_Z} Average temperature coefficient of reference voltage§	$I_Z = 10 \mu A$	25°C	20						ppm/°C
	$I_Z = 20 \mu A$					20			
ΔV_Z Change in reference voltage with current	$I_Z = I_Z(\min)$ to 1 mA	25°C	1			1			mV
		Full range	1.5			1.5			
	$I_Z = 1$ mA to 20 mA	25°C	10			10			
		Full range	20			20			
$\Delta V_Z/\Delta t$ Long-term change in reference voltage	$I_Z = 100 \mu A$	25°C	20			20			ppm/khr
$I_Z(\min)$ Minimum reference current		Full range	8 10			12 20			μA
z_Z Reference impedance	$I_Z = 100 \mu A$	25°C	0.2 0.6			0.2 0.6			Ω
		Full range	1.5			1.5			
V_n Broadband noise voltage	$I_Z = 100 \mu A$, $f = 10$ Hz to 10 kHz	25°C	60			120			μV

‡ Full range is 0°C to 70°C for the LT1004C and –40°C to 85°C for the LT1004I.

§ The average temperature coefficient of reference voltage is defined as the total change in reference voltage divided by the specified temperature range.



LT1004-1.2, LT1004-2.5 MICROPOWER INTEGRATED VOLTAGE REFERENCES

SLVS022H – JANUARY 1989 – REVISED JULY 1999

electrical characteristics, $T_A = 25^\circ\text{C}$

PARAMETER	TEST CONDITIONS	LT1004Y-1.2			LT1004Y-2.5			UNIT
		MIN	TYP	MAX	MIN	TYP	MAX	
V_Z Reference voltage	$I_Z = 100 \mu\text{A}$	1.231	1.235	1.239	2.48	2.5	2.52	V
α_{V_Z} Average temperature coefficient of reference voltage†	$I_Z = 10 \mu\text{A}$	20						ppm/°C
	$I_Z = 20 \mu\text{A}$				20			
$\Delta V_Z/\Delta t$ Long-term change in reference voltage	$I_Z = 100 \mu\text{A}$	20			20			ppm/khr
$I_Z(\text{min})$ Minimum reference current		8			12			μA
z_Z Reference impedance	$I_Z = 100 \mu\text{A}$	0.2		0.6	0.2		0.6	Ω
V_n Broadband noise voltage	$I_Z = 100 \mu\text{A}$, $f = 10 \text{ Hz to } 10 \text{ kHz}$	60			120			μV

† The average temperature coefficient of reference voltage is defined as the total change in reference voltage divided by the specified temperature range.

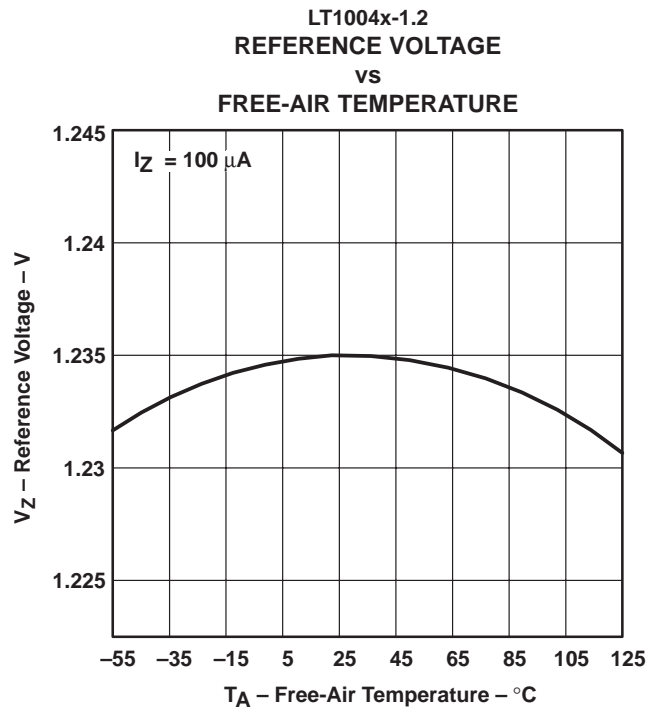
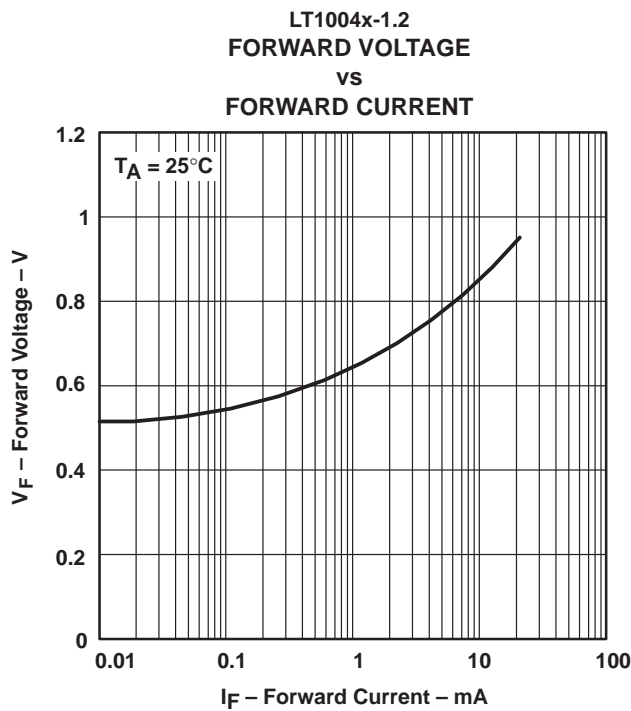
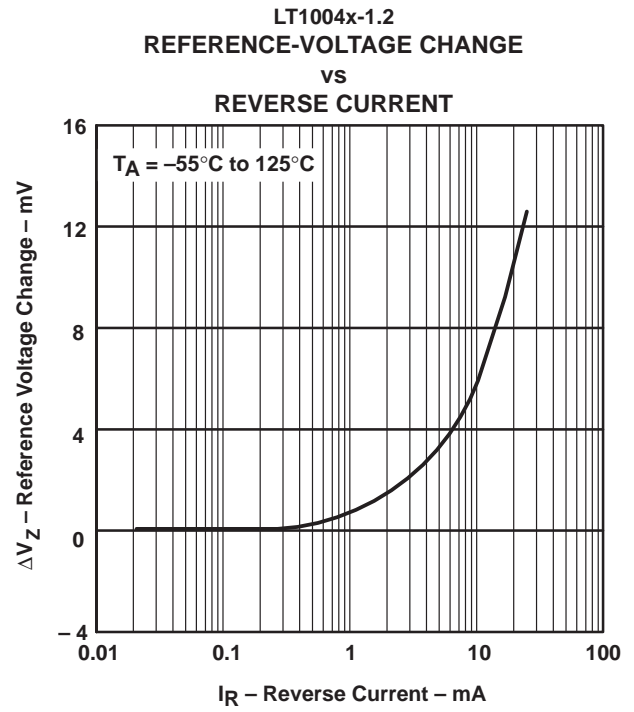
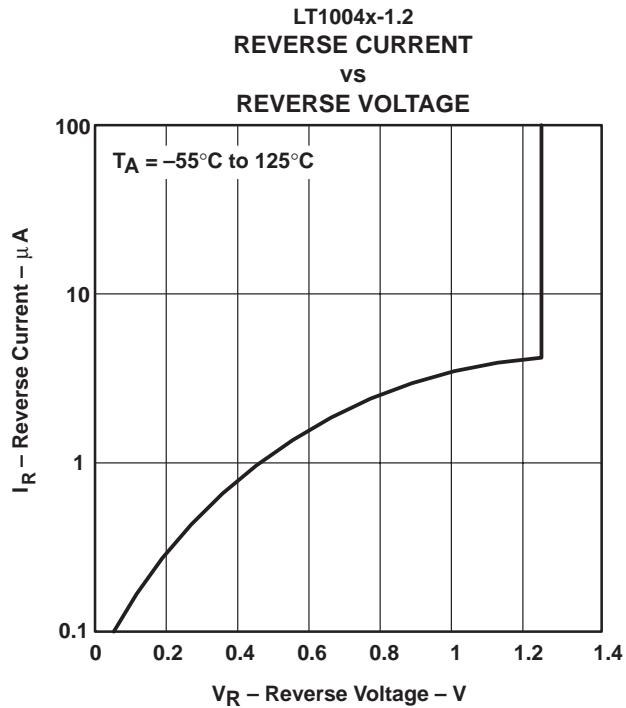
TYPICAL CHARACTERISTICS

Table of Graphs

GRAPH TITLE	FIGURE
LT1004x-1.2	
Reverse current vs Reverse voltage	1
Reference-voltage change vs Reverse current	2
Forward voltage vs Forward current	3
Reference voltage vs Free-air temperature	4
Reference impedance vs Reference current	5
Noise voltage vs Frequency	6
Filtered output noise voltage vs Cutoff frequency	7
LT1004x-2.5	
Transient response	8
Reverse current vs Reverse voltage	9
Forward voltage vs Forward current	10
Reference voltage vs Free-air temperature	11
Reference impedance vs Reference current	12
Noise voltage vs Frequency	13
Filtered output noise voltage vs Cutoff frequency	14
Transient response	15



TYPICAL CHARACTERISTICS†

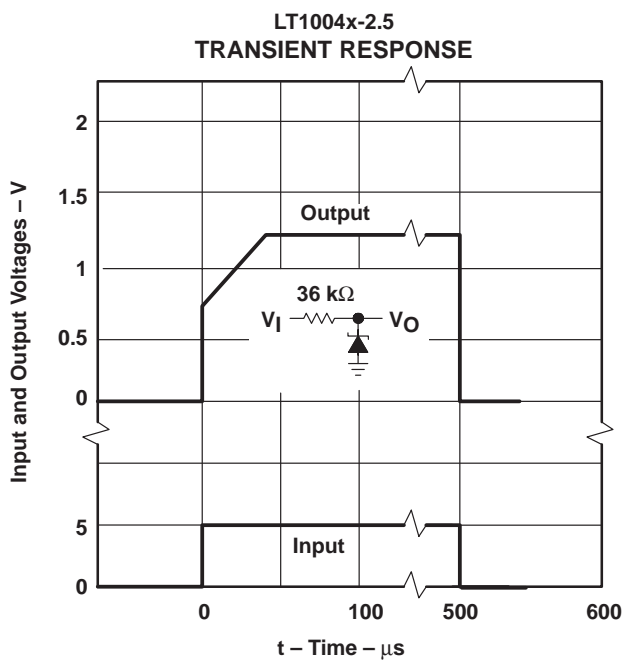
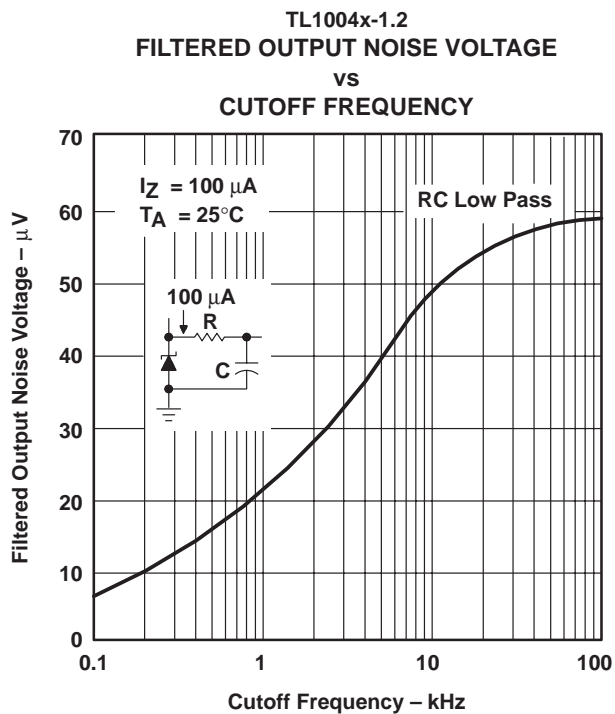
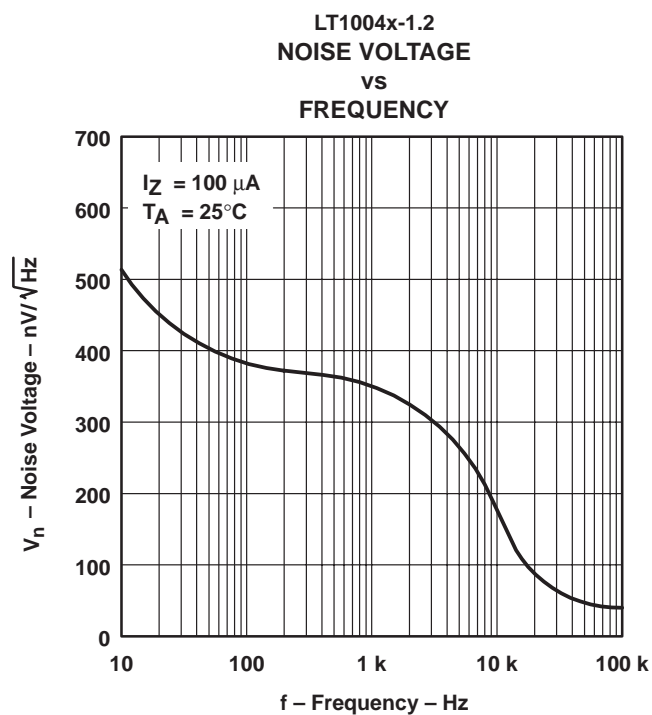
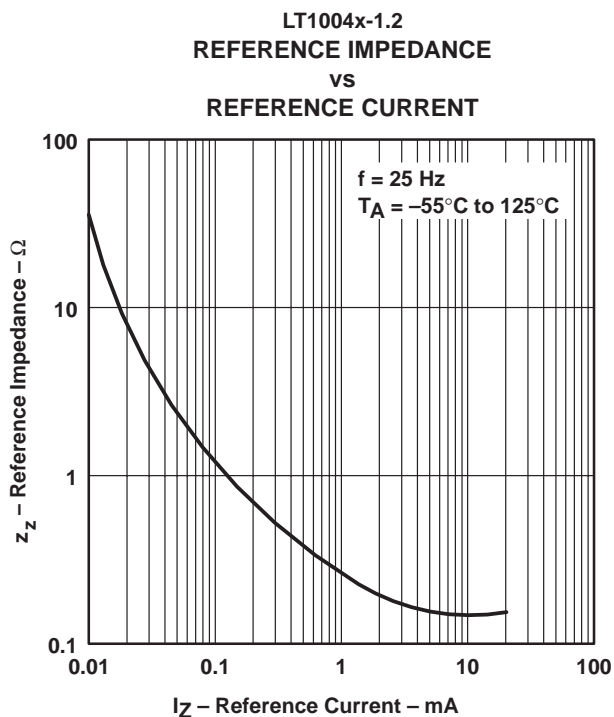


†Data at high and low temperatures are applicable only within the rated operating free-air temperature ranges of the various devices.

LT1004-1.2, LT1004-2.5 MICROPOWER INTEGRATED VOLTAGE REFERENCES

SLVS022H – JANUARY 1989 – REVISED JULY 1999

TYPICAL CHARACTERISTICS†



†Data at high and low temperatures are applicable only within the rated operating free-air temperature ranges of the various devices.

TYPICAL CHARACTERISTICS†

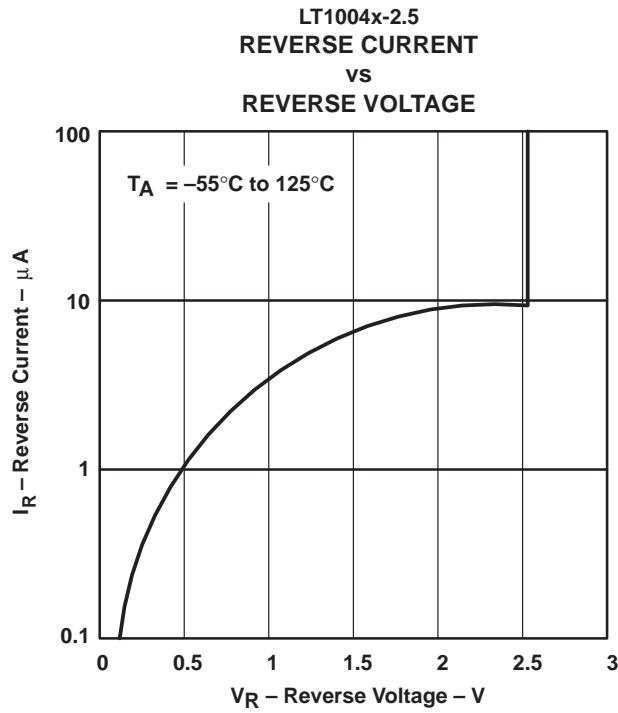


Figure 9

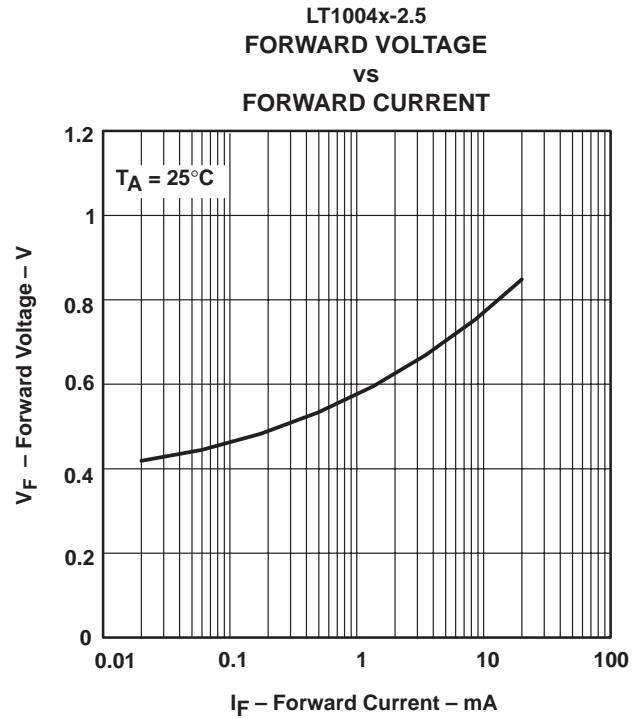


Figure 10

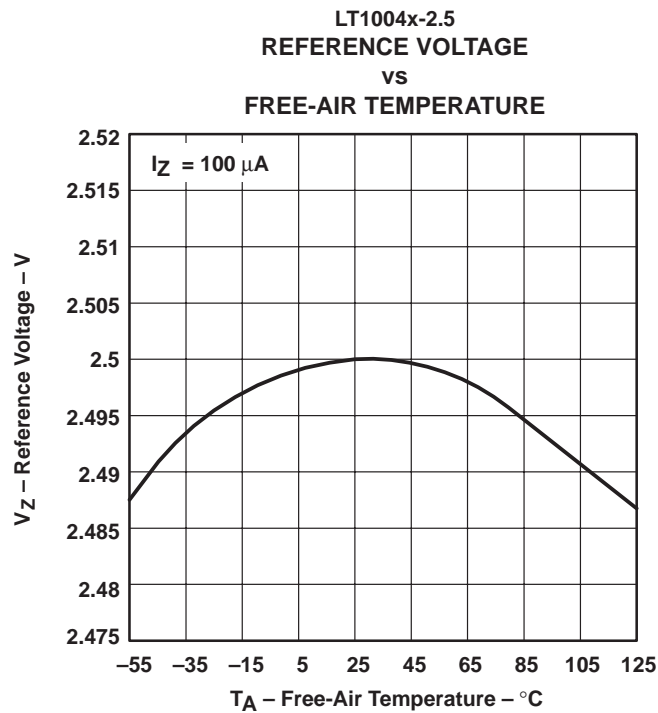


Figure 11

†Data at high and low temperatures are applicable only within the rated operating free-air temperature ranges of the various devices.

LT1004-1.2, LT1004-2.5 MICROPOWER INTEGRATED VOLTAGE REFERENCES

SLVS022H – JANUARY 1989 – REVISED JULY 1999

TYPICAL CHARACTERISTICS†

LT1004x-2.5
REFERENCE IMPEDANCE
vs
REFERENCE CURRENT

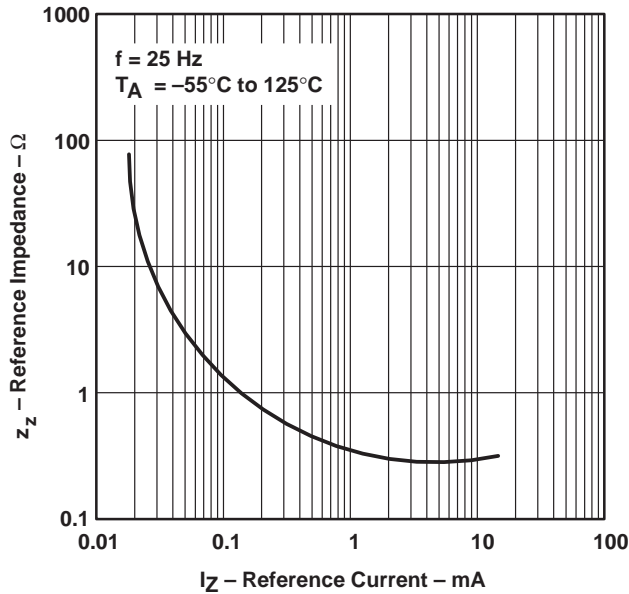


Figure 12

LT1004x-2.5
NOISE VOLTAGE
vs
FREQUENCY

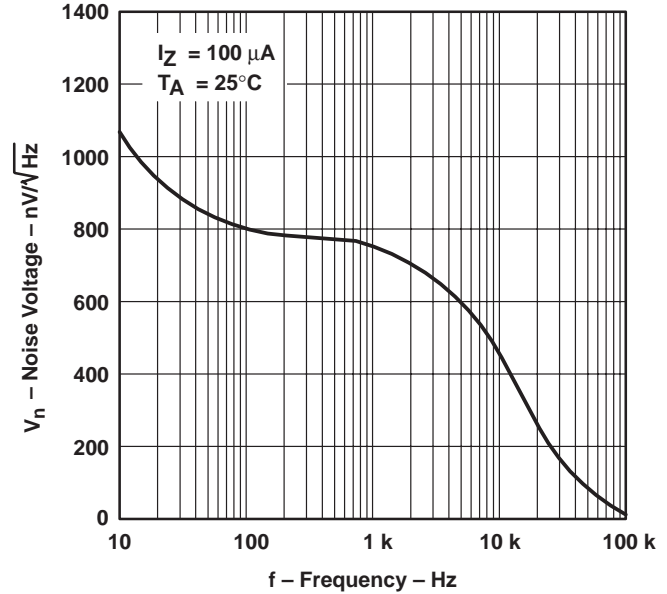


Figure 13

TL1004x-2.5
FILTERED OUTPUT NOISE VOLTAGE
vs
CUTOFF FREQUENCY

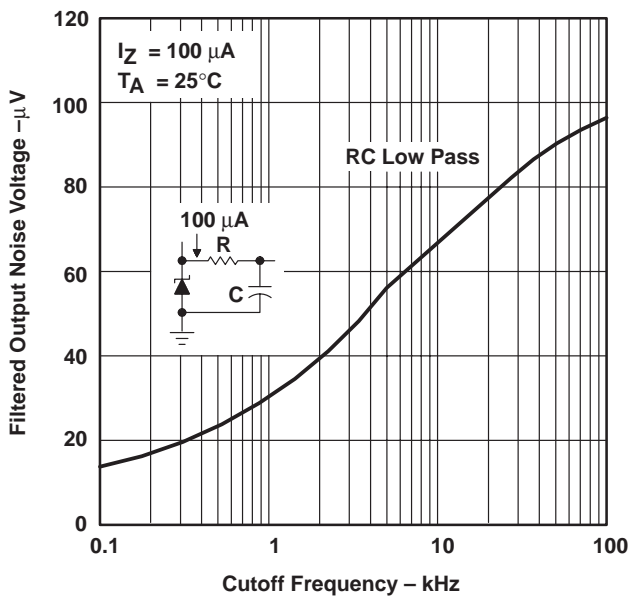


Figure 14

LT1004x-2.5
TRANSIENT RESPONSE

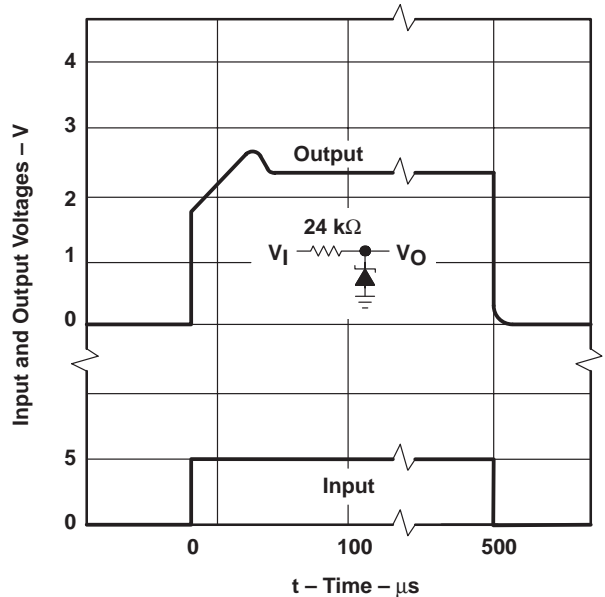
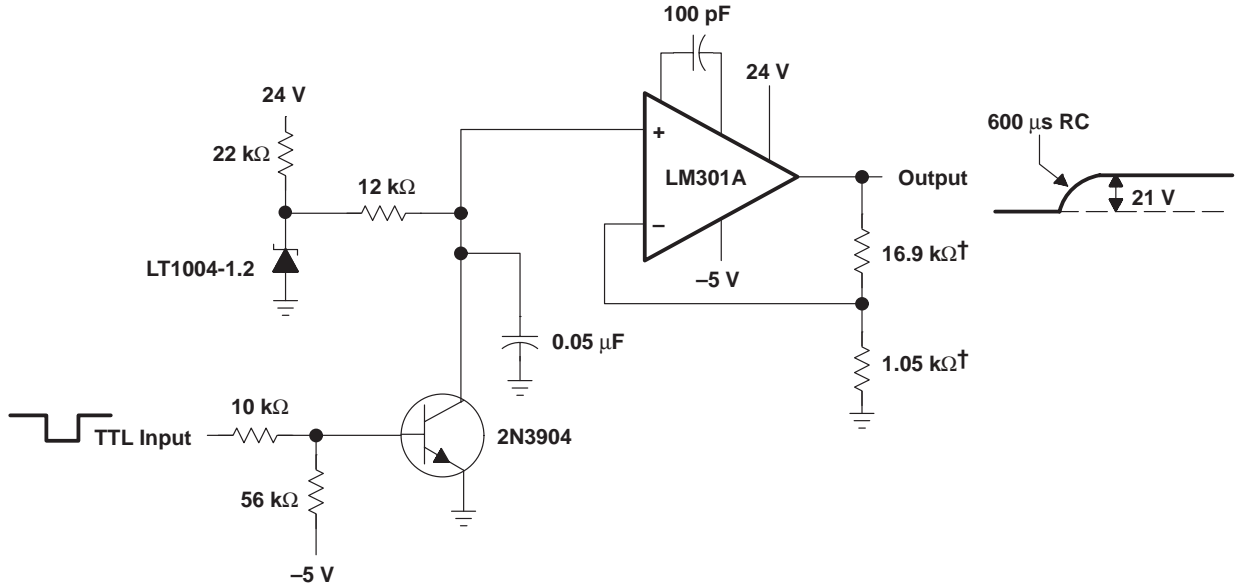


Figure 15

†Data at high and low temperatures are applicable only within the rated operating free-air temperature ranges of the various devices.

APPLICATION INFORMATION



† 1% metal-film resistors

Figure 16. $V_{I(PP)}$ Generator for EPROMs (No Trim Required)

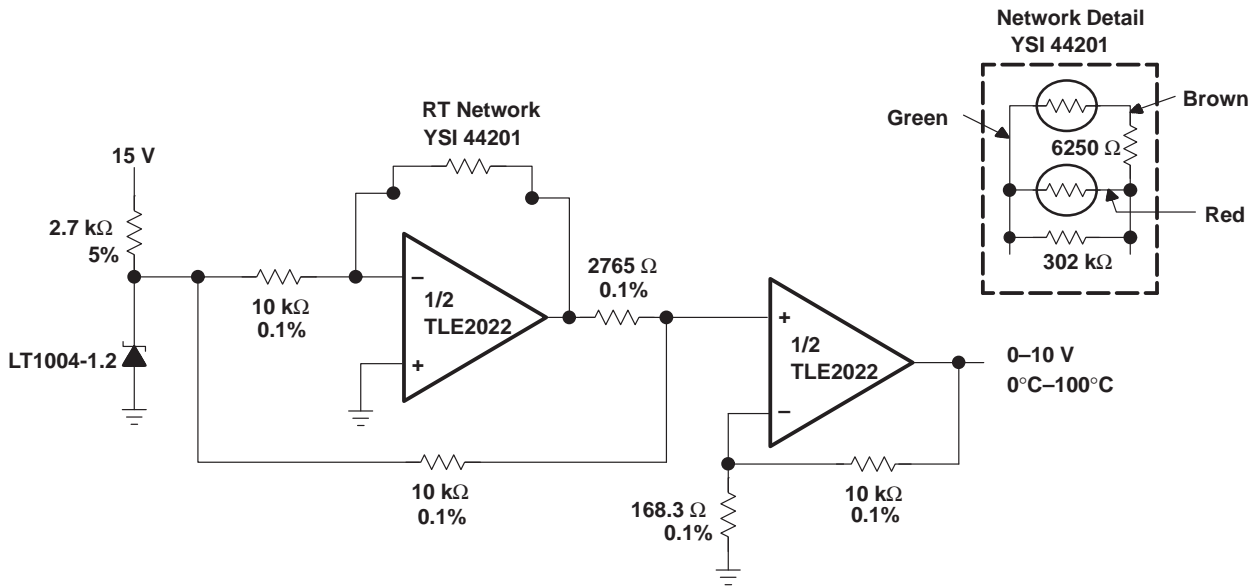


Figure 17. 0°C-to-100°C Linear-Output Thermometer

LT1004-1.2, LT1004-2.5 MICROPOWER INTEGRATED VOLTAGE REFERENCES

SLVS022H – JANUARY 1989 – REVISED JULY 1999

APPLICATION INFORMATION

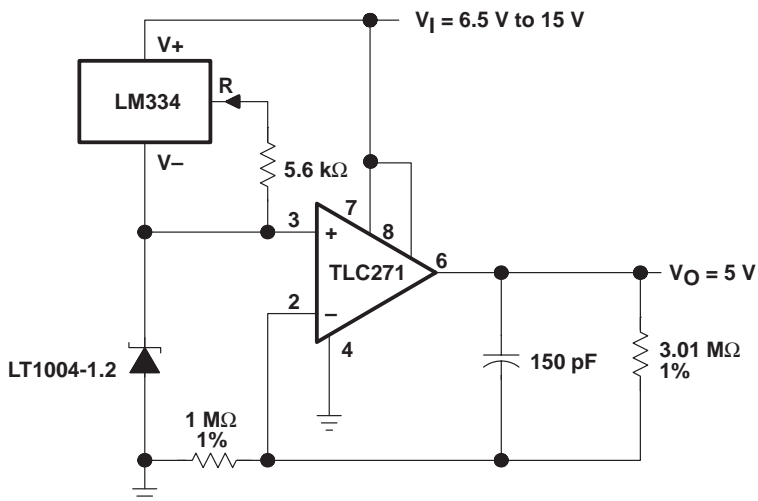


Figure 18. Micropower 5-V Reference

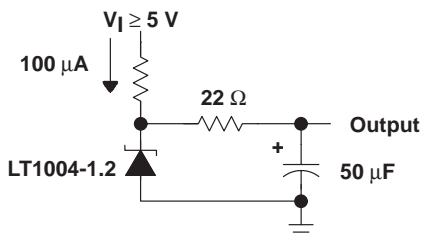


Figure 19. Low-Noise Reference

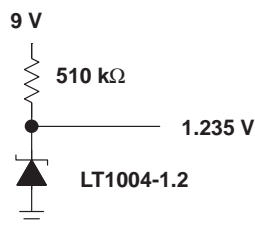
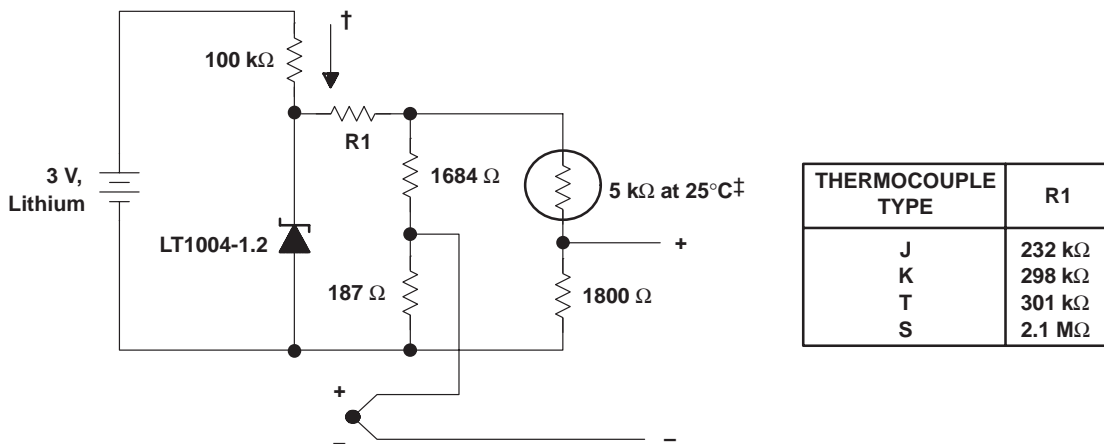


Figure 20. Micropower Reference From 9-V Battery



† Quiescent current $\cong 15 \mu\text{A}$

‡ Yellow Springs Inst. Co., Part #44007

NOTE A: This application compensates within $\pm 1^\circ\text{C}$ from 0°C to 60°C .

Figure 21. Micropower Cold-Junction Compensation for Thermocouples



POST OFFICE BOX 655303 • DALLAS, TEXAS 75265

APPLICATION INFORMATION

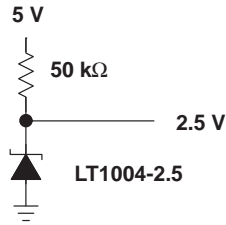


Figure 22. 2.5-V Reference

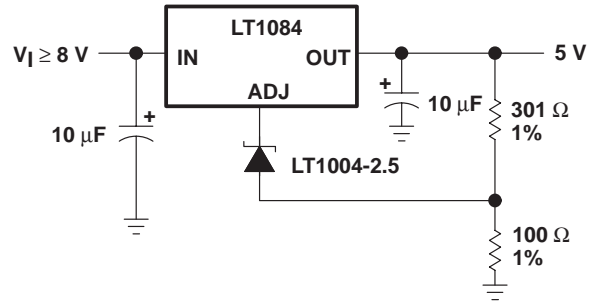
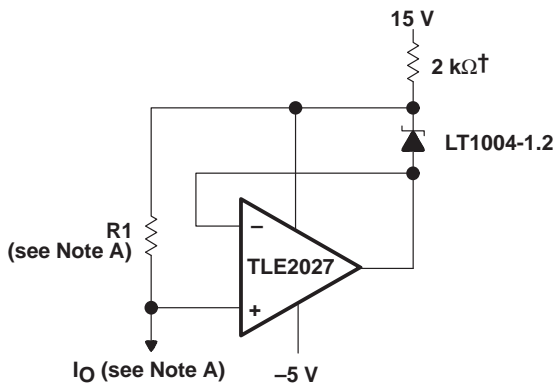


Figure 23. High-Stability 5-V Regulator



† May be increased for small output currents
NOTE A: $R1 \approx \frac{2V}{I_O + 10\mu A}$, $I_O = \frac{1.235V}{R1}$

Figure 24. Ground-Referenced Current Source

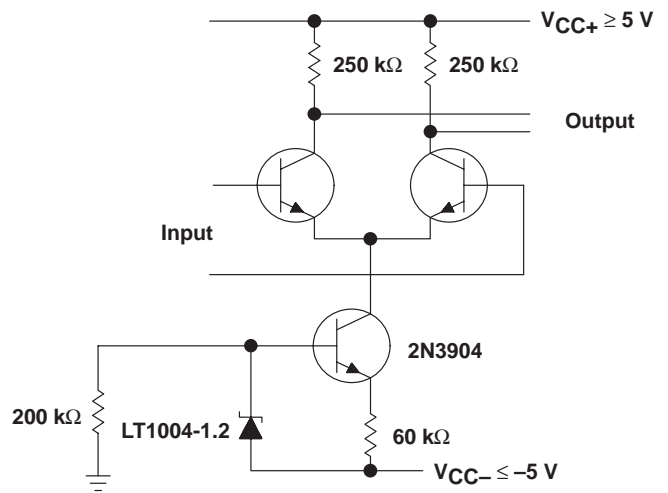
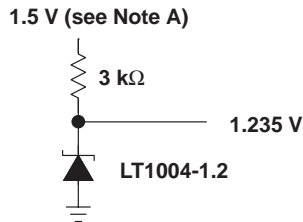


Figure 25. Amplifier With Constant Gain Over Temperature



NOTE A: Output regulates down to 1.285 V for $I_O = 0$.

Figure 26. 1.2-V Reference From 1.5-V Battery

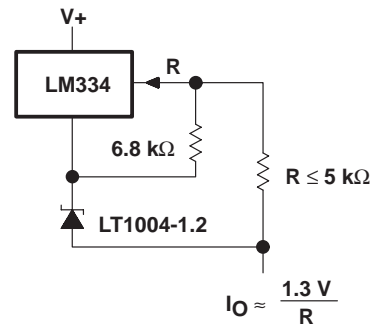
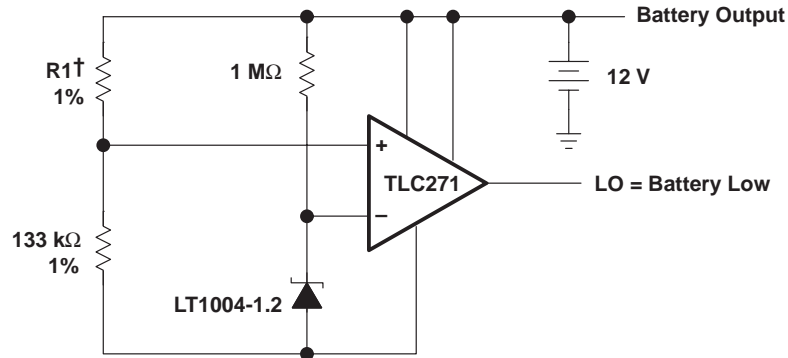


Figure 27. Terminal Current Source With Low Temperature Coefficient

LT1004-1.2, LT1004-2.5 MICROPOWER INTEGRATED VOLTAGE REFERENCES

SLVS022H – JANUARY 1989 – REVISED JULY 1999

APPLICATION INFORMATION



$R1$ sets trip point, 60.4 kΩ per cell for 1.8 V per cell

Figure 28. Lead-Acid Low-Battery-Voltage Detector

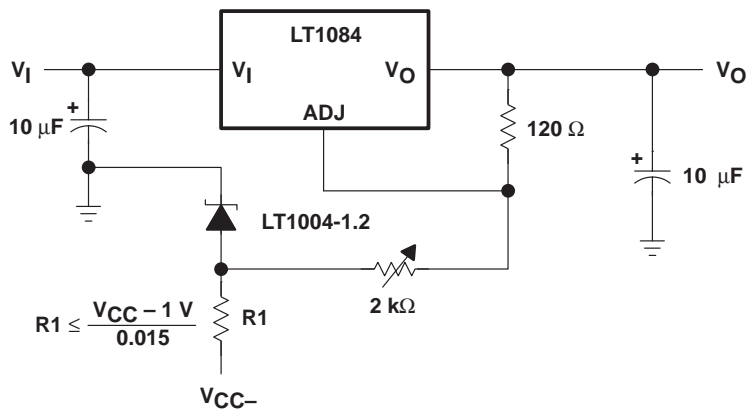


Figure 29. Variable-Voltage Supply

IMPORTANT NOTICE

Texas Instruments and its subsidiaries (TI) reserve the right to make changes to their products or to discontinue any product or service without notice, and advise customers to obtain the latest version of relevant information to verify, before placing orders, that information being relied on is current and complete. All products are sold subject to the terms and conditions of sale supplied at the time of order acknowledgement, including those pertaining to warranty, patent infringement, and limitation of liability.

TI warrants performance of its semiconductor products to the specifications applicable at the time of sale in accordance with TI's standard warranty. Testing and other quality control techniques are utilized to the extent TI deems necessary to support this warranty. Specific testing of all parameters of each device is not necessarily performed, except those mandated by government requirements.

CERTAIN APPLICATIONS USING SEMICONDUCTOR PRODUCTS MAY INVOLVE POTENTIAL RISKS OF DEATH, PERSONAL INJURY, OR SEVERE PROPERTY OR ENVIRONMENTAL DAMAGE ("CRITICAL APPLICATIONS"). TI SEMICONDUCTOR PRODUCTS ARE NOT DESIGNED, AUTHORIZED, OR WARRANTED TO BE SUITABLE FOR USE IN LIFE-SUPPORT DEVICES OR SYSTEMS OR OTHER CRITICAL APPLICATIONS. INCLUSION OF TI PRODUCTS IN SUCH APPLICATIONS IS UNDERSTOOD TO BE FULLY AT THE CUSTOMER'S RISK.

In order to minimize risks associated with the customer's applications, adequate design and operating safeguards must be provided by the customer to minimize inherent or procedural hazards.

TI assumes no liability for applications assistance or customer product design. TI does not warrant or represent that any license, either express or implied, is granted under any patent right, copyright, mask work right, or other intellectual property right of TI covering or relating to any combination, machine, or process in which such semiconductor products or services might be or are used. TI's publication of information regarding any third party's products or services does not constitute TI's approval, warranty or endorsement thereof.