

SN54165, SN54LS165A, SN74165, SN74LS165A PARALLEL-LOAD 8-BIT SHIFT REGISTERS

The SN54165 and SN74165 devices are obsolete and are no longer supplied.

SDLS062B – OCTOBER 1976 – REVISED JANUARY 2000

- Complementary Outputs
- Direct Overriding Load (Data) Inputs
- Gated Clock Inputs
- Parallel-to-Serial Data Conversion

TYPE	TYPICAL	MAXIMUM	TYPICAL
	CLOCK FREQUENCY	POWER DISSIPATION	
'165	26 MHz	210 mW	
'LS165A	35 MHz	90 mW	

description

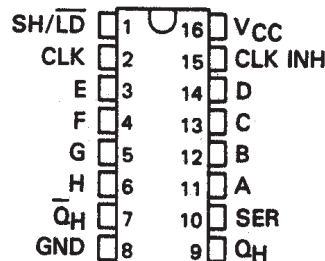
The '165 and 'LS165A are 8-bit serial shift registers that shift the data in the direction of Q_A toward Q_H when clocked. Parallel-in access to each stage is made available by eight individual direct data inputs that are enabled by a low level at the shift/load input. These registers also feature gated clock inputs and complementary outputs from the eighth bit. All inputs are diode-clamped to minimize transmission-line effects, thereby simplifying system design.

Clocking is accomplished through a 2-input positive-NOR gate, permitting one input to be used as a clock-inhibit function. Holding either of the clock inputs high inhibits clocking and holding either clock input low with the shift/load input high enables the other clock input. The clock-inhibit input should be changed to the high level only while the clock input is high. Parallel loading is inhibited as long as the shift/load input is high. Data at the parallel inputs are loaded directly into the register while the shift/load input is low independently of the levels of the clock, clock inhibit, or serial inputs.

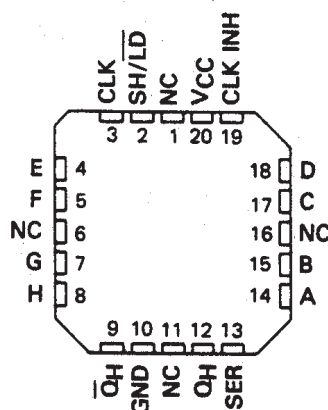
FUNCTION TABLE

SHIFT/LOAD	CLOCK INHIBIT	CLOCK	SERIAL	INPUTS				INTERNAL OUTPUTS		OUTPUT Q_H
				A...H	Q_A	Q_B	Q_H			
L	X	X	X	a...h	a	b			h	
H	L	L	X	X	Q_{A0}	Q_{B0}	Q_{H0}			
H	L	↑	H	X	H	Q_{An}	Q_{Gn}	Q_{Gn}		
H	L	↑	L	X	L	Q_{An}	Q_{Gn}	Q_{Gn}		
H	H	X	X	X	Q_{A0}	Q_{B0}	Q_{H0}			

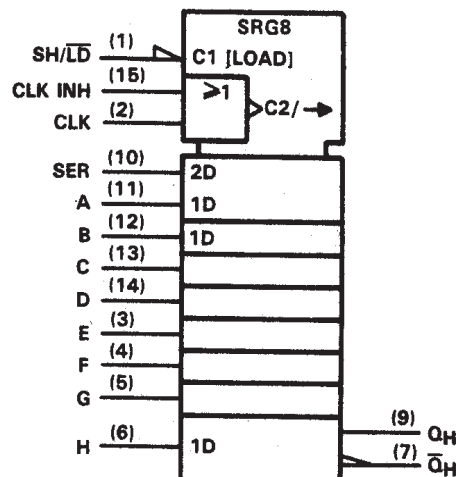
SN54165, SN54LS165A ... J OR W PACKAGE
SN74165 ... N PACKAGE
SN74LS165A ... D OR N PACKAGE
(TOP VIEW)



SN54LS165A ... FK PACKAGE
(TOP VIEW)



logic symbol†



†This symbol is in accordance with ANSI/IEEE Std. 91-1984 and IEC Publication 617-12.

Pin numbers shown are for D, J, N, and W packages.

PRODUCTION DATA information is current as of publication date. Products conform to specifications per the terms of Texas Instruments standard warranty. Production processing does not necessarily include testing of all parameters.

 **TEXAS
INSTRUMENTS**

POST OFFICE BOX 655303 • DALLAS, TEXAS 75265

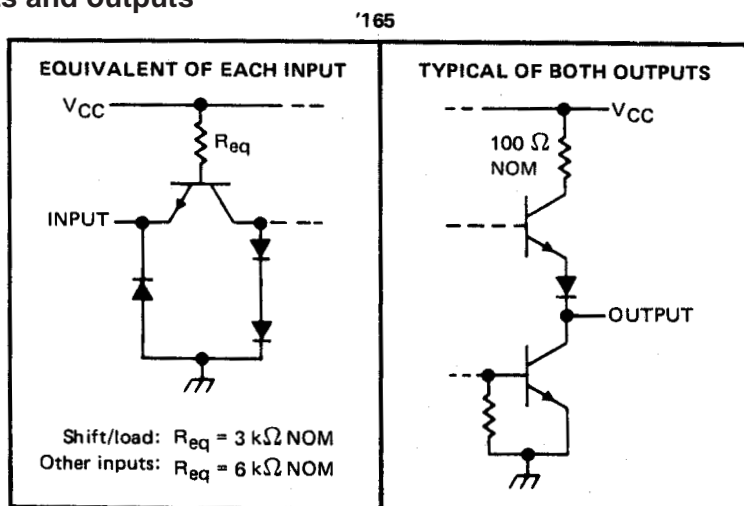
Copyright © 2000, Texas Instruments Incorporated

SN54165, SN54LS165A, SN74165, SN74LS165A PARALLEL-LOAD 8-BIT SHIFT REGISTERS

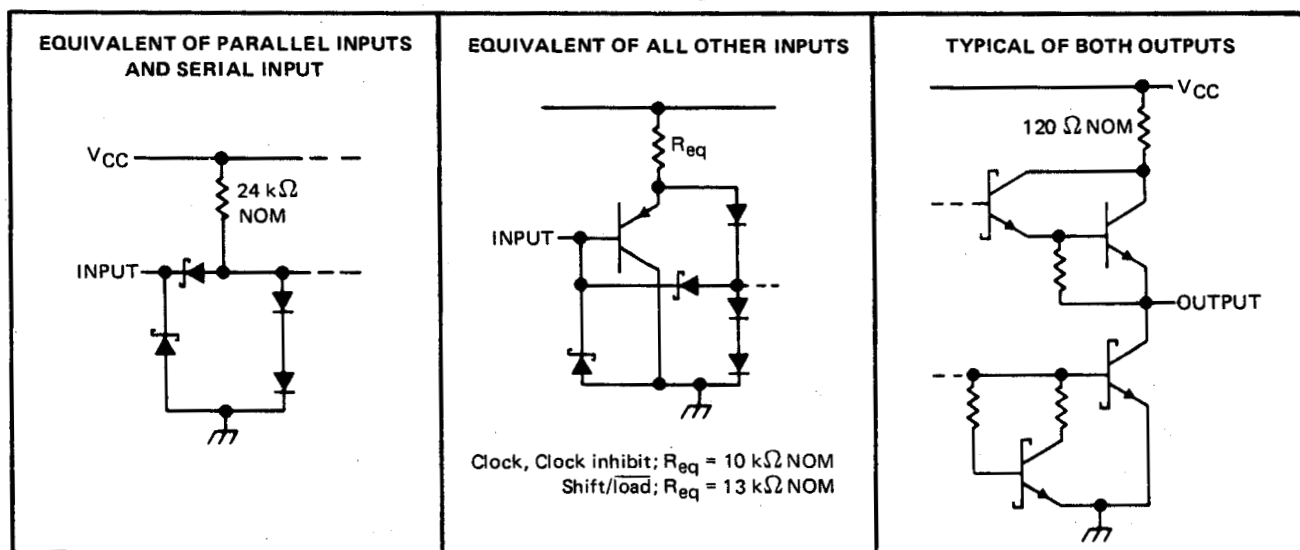
The SN54165 and SN74165 devices are obsolete and are no longer supplied.

SDLS062B – OCTOBER 1976 – REVISED JANUARY 2000

schematics of inputs and outputs



'LS165A

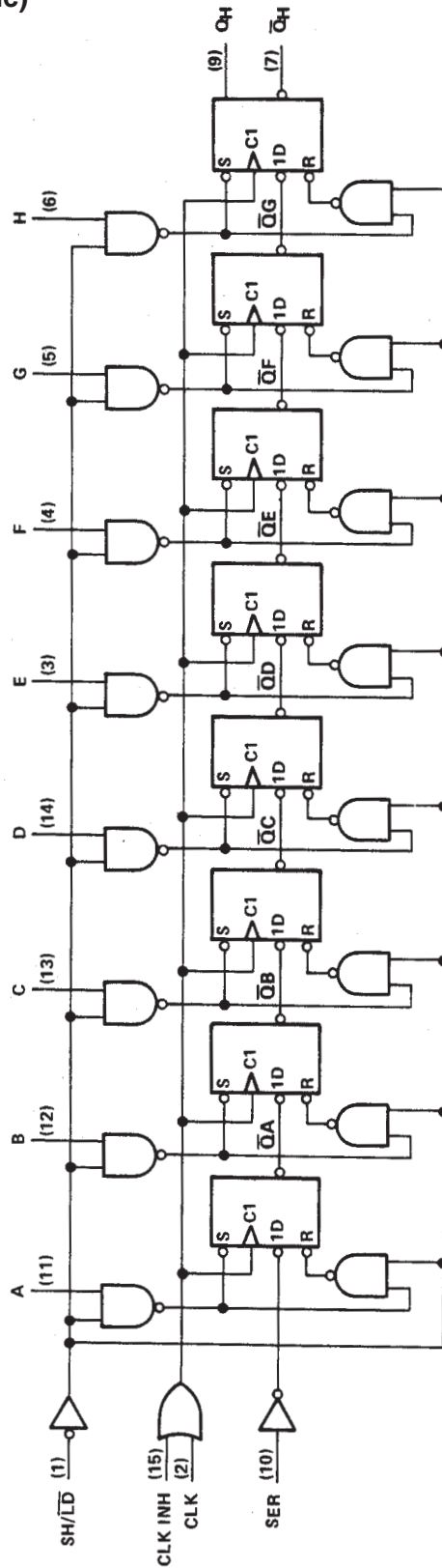


SN54165, SN54LS165A, SN74165, SN74LS165A PARALLEL-LOAD 8-BIT SHIFT REGISTERS

The SN54165 and SN74165 devices are obsolete and are no longer supplied.

SDLS062B – OCTOBER 1976 – REVISED JANUARY 2000

logic diagram (positive logic)



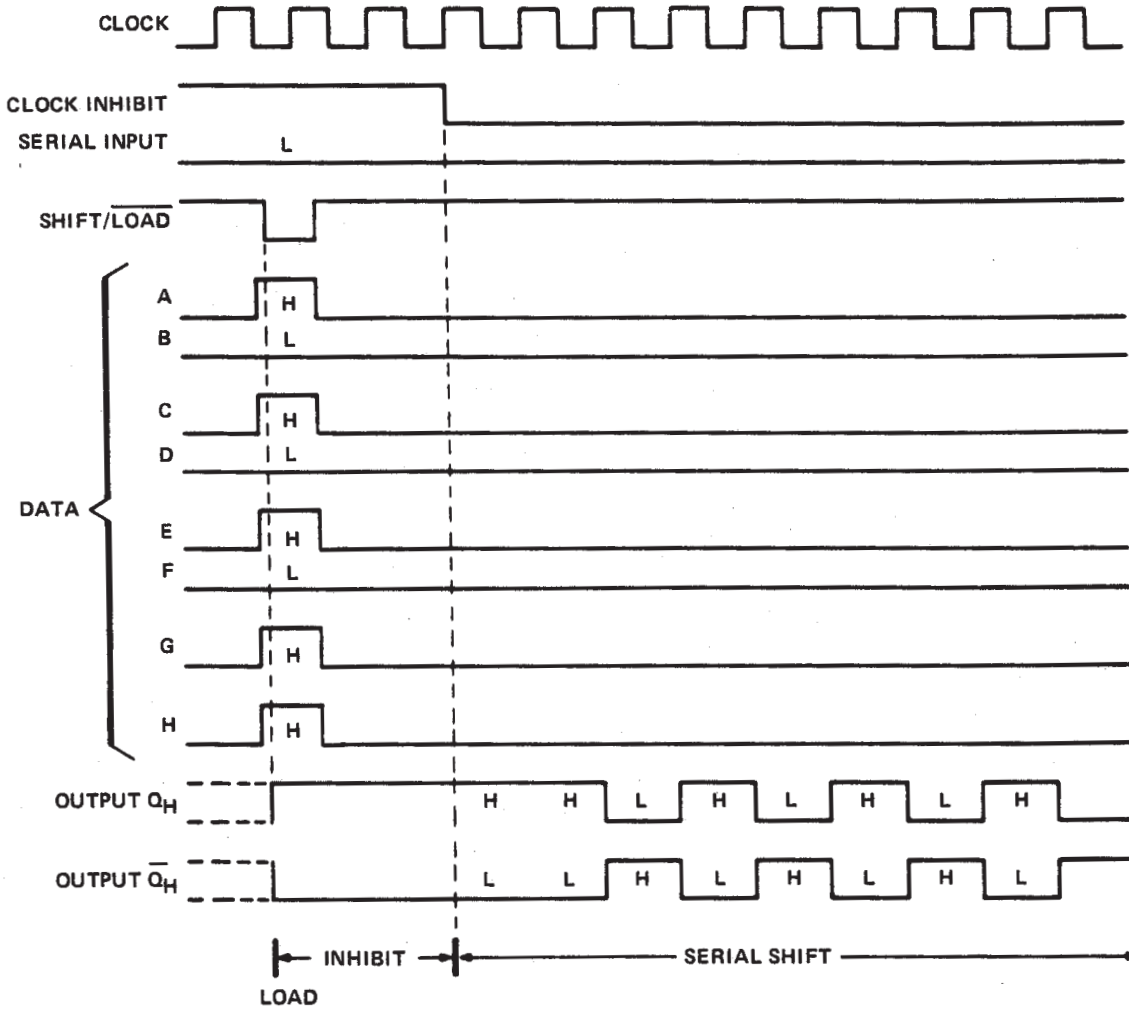
Pin numbers shown are for D, J, N, and W packages.

SN54165, SN54LS165A, SN74165, SN74LS165A PARALLEL-LOAD 8-BIT SHIFT REGISTERS

The SN54165 and SN74165 devices are obsolete and are no longer supplied.

SDLS062B – OCTOBER 1976 – REVISED JANUARY 2000

typical shift, load, and inhibit sequences



absolute maximum ratings over operating free-air temperature range (unless otherwise noted)

Supply voltage, V_{CC} (see Note 1)	7 V
Input voltage: SN54165, SN74165	5.5 V
SN54LS165A, SN74LS165A	7 V
Interemitter voltage (see Note 2)	5.5 V
Operating free-air temperature range: SN54165, SN54LS165A	-55°C to 125°C
SN74165, SN74LS165A	0°C to 70°C
Storage temperature range	-65°C to 150°C

NOTES 1. Voltage values, except interemitter voltage, are with respect to network ground terminal.

2. This is the voltage between two emitters of a multiple-emitter transistor. This rating applies for the '165 to the shift/load input in conjunction with the clock-inhibit inputs.



POST OFFICE BOX 655303 • DALLAS, TEXAS 75265

SN54165, SN54LS165A, SN74165, SN74LS165A PARALLEL-LOAD 8-BIT SHIFT REGISTERS

The SN54165 and SN74165 devices are obsolete and are no longer supplied.

SDLS062B – OCTOBER 1976 – REVISED JANUARY 2000

recommended operating conditions

	SN54165			SN74165			UNIT
	MIN	NOM	MAX	MIN	NOM	MAX	
Supply voltage, V_{CC}	4.5	5	5.5	4.75	5	5.25	V
High-level output current, I_{OH}			-800			-800	μA
Low-level output current, I_{OL}			16			16	mA
Clock frequency, f_{clock}	0		20	0		20	MHz
Width of clock input pulse, $t_w(\text{clock})$	25			25			ns
Width of load input pulse, $t_w(\text{load})$	15			15			ns
Clock-enable setup time, t_{SU} (see Figure 1)	30			30			ns
Parallel input setup time, t_{SU} (see Figure 1)	10			10			ns
Serial input setup time, t_{SU} (see Figure 2)	20			20			ns
Shift setup time, t_{SU} (see Figure 2)	45			45			ns
Hold time at any input, t_h	0			0			ns
Operating free-air temperature, T_A	-55		125	0		70	$^{\circ}C$

electrical characteristics over recommended operating free-air temperature range (unless otherwise noted)

PARAMETER	TEST CONDITIONS†	SN54165			SN74165			UNIT
		MIN	TYP‡	MAX	MIN	TYP‡	MAX	
V_{IH} High-level input voltage		2			2			V
V_{IL} Low-level input voltage				0.8			0.8	V
V_{IK} Input clamp voltage	$V_{CC} = \text{MIN}, I_I = -12 \text{ mA}$			-1.5			-1.5	V
V_{OH} High-level output voltage	$V_{CC} = \text{MIN}, V_{IH} = 2 \text{ V}, V_{IL} = 0.8 \text{ V}, I_{OH} = -800 \mu A$	2.4	3.4		2.4	3.4		V
V_{OL} Low-level output voltage	$V_{CC} = \text{MIN}, V_{IH} = 2 \text{ V}, V_{IL} = 0.8 \text{ V}, I_{OL} = 16 \text{ mA}$	0.2	0.4		0.2	0.4		V
I_I Input current at maximum input voltage	$V_{CC} = \text{MAX}, V_I = 5.5 \text{ V}$			1			1	mA
I_{IH} High-level input current	Shift/ $\overline{\text{load}}$			80			80	μA
	Other inputs			40			40	
I_{IL} Low-level input current	Shift/ $\overline{\text{load}}$			-3.2			-3.2	mA
	Other inputs			-1.6			-1.6	
I_{OS} Short-circuit output current§	$V_{CC} = \text{MAX}$	-20		-55	-18		-55	mA
I_{CC} Supply current	$V_{CC} = \text{MAX}, \text{ See Note 3}$		42	63		42	63	mA

NOTE 3: With the outputs open, clock inhibit and clock at 4.5 V, and a clock pulse applied to the shift/load input, I_{CC} is measured first with the parallel inputs at 4.5 V, then with the parallel inputs grounded.

† For conditions shown as MIN or MAX, use the appropriate value specified under recommended operating conditions.

‡ All typical values are at $V_{CC} = 5 \text{ V}, T_A = 25^{\circ}C$.

§ Not more than one output should be shorted at a time.

switching characteristics, SN54165 and SN74165, $V_{CC} = 5 \text{ V}, T_A = 25^{\circ}C$

PARAMETER¶	FROM (INPUT)	TO (OUTPUT)	TEST CONDITIONS	MIN	TYP	MAX	UNIT
f_{max}				20	26		MHz
t_{PLH}	$\overline{\text{Load}}$	Any	$C_L = 15 \text{ pF}, R_L = 400 \Omega,$ See figures 1 thru 3		21	31	ns
t_{PHL}					27	40	
t_{PLH}	Clock	Any			16	24	ns
t_{PHL}					21	31	
t_{PLH}	H	Q_H			11	17	ns
t_{PHL}					24	36	
t_{PLH}	H	\overline{Q}_H			18	27	ns
t_{PHL}					18	27	

¶ f_{max} ≡ maximum clock frequency

t_{PLH} ≡ propagation delay time, low-to-high-level output

t_{PHL} ≡ propagation delay time, high-to-low-level output



SN54165, SN54LS165A, SN74165, SN74LS165A PARALLEL-LOAD 8-BIT SHIFT REGISTERS

The SN54165 and SN74165 devices are obsolete and are no longer supplied.

SDLS062B – OCTOBER 1976 – REVISED JANUARY 2000

recommended operating conditions

		SN54LS165A			SN74LS165A			UNIT
		MIN	NOM	MAX	MIN	NOM	MAX	
V _{CC}	Supply voltage	4.5	5	5.5	4.75	5	5.25	V
V _{IH}	High-level input voltage	2			2			V
V _{IL}	Low-level input voltage	0.7			0.8			V
I _{OH}	High-level output current	-0.4			-0.4			mA
I _{OL}	Low-level output current	4			8			mA
f _{clock}	Clock frequency	0		25	0		25	MHz
t _{w(clock)}	Width of clock input pulse (See Figure 1)	clock high		15	15		ns	
		clock low		25	25			
t _{w(load)}	Width of load input pulse	clock high		25	25		ns	
		clock low		17	17			
t _{su}	Clock-enable setup time (See Figure 1)	30			30			ns
t _{su}	Parallel input setup time (See Figure 1)	10			10			ns
t _{su}	Serial input setup time (See Figure 2)	20			20			ns
t _{su}	Shift setup time (See Figure 2)	45			45			ns
t _h	Hold time at any input	0			0			ns
T _A	Operating free-air temperature	-55		125	0		70	°C

electrical characteristics over recommended operating free-air temperature range (unless otherwise noted)

PARAMETER	TEST CONDITIONS	SN54LS165A			SN74LS165A			UNIT
		MIN	TYP†	MAX	MIN	TYP†	MAX	
V _{IK}	V _{CC} = MIN, I _I = -18 mA	-1.5			-1.5			V
V _{OH}	V _{CC} = MIN, V _{IH} = 2 V, V _{IL} = MAX, I _{OH} = -0.4 mA	2.5	3.5		2.7	3.5		V
V _{OL}	V _{CC} = MIN, V _{IH} = 2 V, V _{IL} = MAX, I _{OL} = 4 mA	0.25			0.25			V
	I _{OL} = 8 mA				0.35			
I _I	V _{CC} = MAX, V _I = 7 V	0.1			0.1			mA
I _{IH}	V _{CC} = MAX, V _I = 2.7 V	20			20			μA
I _{IL}	V _{CC} = MAX, V _I = 0.4 V	-0.4			-0.4			mA
I _{OS} ‡	V _{CC} = MAX	-20		-100	-20		-100	mA
I _{CC}	V _{CC} = MAX, See Note 3	18		30	18		30	mA

NOTE 3: With the outputs open, clock inhibit and clock at 4.5 V, and a clock pulse applied to the shift load input, I_{CC} is measured first with the parallel inputs at 4.5 V, then with the parallel inputs grounded.

† For conditions shown as MIN or MAX, use the appropriate value specified under recommended operating conditions.

‡ All typical values are at V_{CC} = 5 V, T_A = 25°C.

§ Not more than one output should be shorted at a time, and the duration of the short-circuit should not exceed one second.

switching characteristics, SN54LS165A and SN74LS165A, V_{CC} = 5 V, T_A = 25° C

PARAMETER ¹	FROM (INPUT)	TO (OUTPUT)	TEST CONDITIONS	MIN	TYP	MAX	UNIT
f _{max}			R _L = 2 kΩ, C _L = 15 pF See Figures 1 thru 3	25	35		MHz
t _{PLH}	Load	Any			21	35	ns
t _{PHL}					26	35	
t _{PLH}	Clock	Any			14	25	ns
t _{PHL}					16	25	
t _{PLH}	H	Q _H			13	25	ns
t _{PHL}					24	30	
t _{PLH}	H	Q̄ _H			19	30	ns
t _{PHL}				17	25		

¹ f_{max} = maximum clock frequency

t_{PLH} = propagation delay time, low-to-high-level output

t_{PHL} = propagation delay time, high-to-low-level output

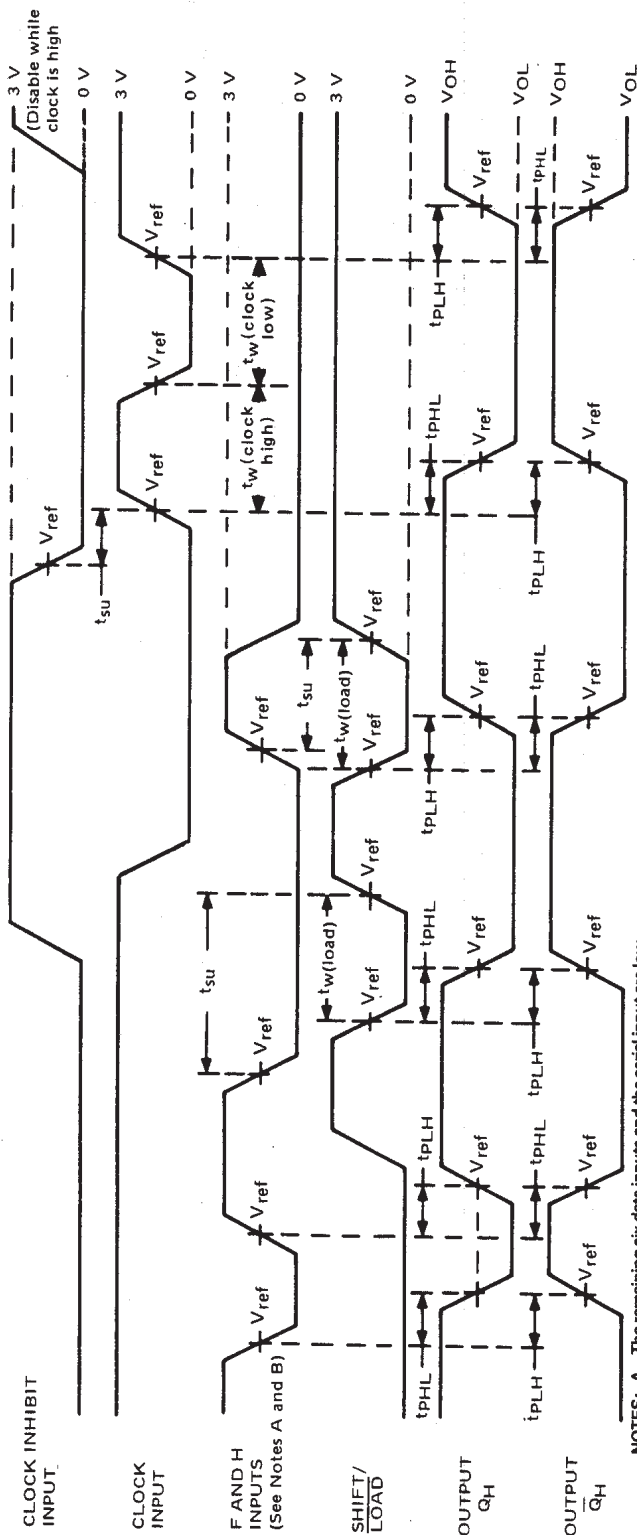


POST OFFICE BOX 655303 • DALLAS, TEXAS 75265

The SN54165 and SN74165 devices are obsolete and are no longer supplied.

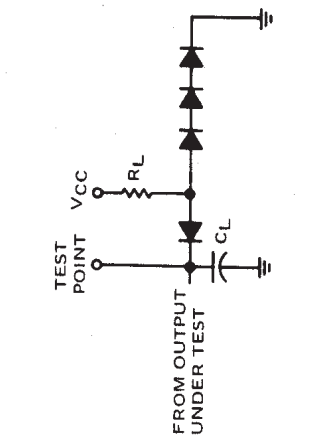
SDLS062B – OCTOBER 1976 – REVISED JANUARY 2000

PARAMETER MEASUREMENT INFORMATION

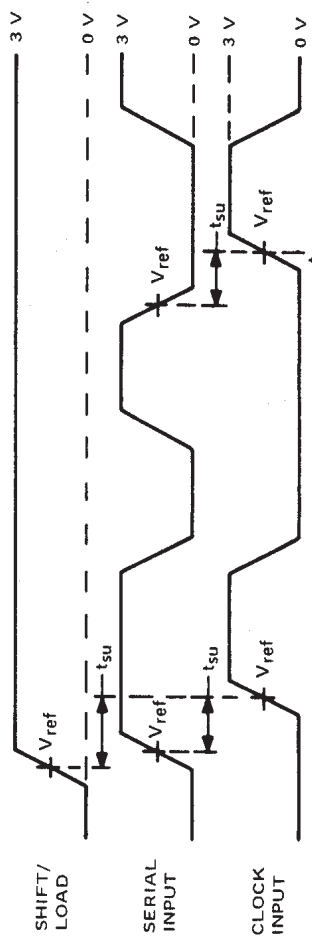


NOTES: A. The remaining six data inputs and the serial input are low.
 B. Prior to test, high-level data is loaded into H input.
 C. The input pulse generators have the following characteristics: PRR < 1 MHz, duty cycle < 50% Z_{out} ≈ 50 Ω; for '165, t_r < 10 ns, t_f < 10 ns;
 for 'LS165A, t_r < 15 ns, t_f < 6 ns.
 D. For '165, V_{ref} = 1.5 V; for 'LS165A, V_{ref} = 1.3 V.

FIGURE 1—VOLTAGE WAVEFORMS



NOTES: A. C_L includes probe and jig capacitance.
 B. All diodes are IN3064 or equivalent.
 FIGURE 3—LOAD CIRCUIT FOR SWITCHING TESTS



NOTES: A. The eight data inputs and the clock-inhibit input are low. Results are monitored at output Q_H at t_n + 7.
 B. The input pulse generators have the following characteristics: PRR < 1 MHz, duty cycle < 50%, Z_{out} ≈ 50 Ω; for '165, t_r < 10 ns, t_f < 10 ns; for 'LS165A, t_r < 15 ns, t_f < 6 ns.
 C. For '165, V_{ref} = 1.5 V; for 'LS165A, V_{ref} = 1.3 V.

FIGURE 2—VOLTAGE WAVEFORMS

IMPORTANT NOTICE

Texas Instruments and its subsidiaries (TI) reserve the right to make changes to their products or to discontinue any product or service without notice, and advise customers to obtain the latest version of relevant information to verify, before placing orders, that information being relied on is current and complete. All products are sold subject to the terms and conditions of sale supplied at the time of order acknowledgement, including those pertaining to warranty, patent infringement, and limitation of liability.

TI warrants performance of its semiconductor products to the specifications applicable at the time of sale in accordance with TI's standard warranty. Testing and other quality control techniques are utilized to the extent TI deems necessary to support this warranty. Specific testing of all parameters of each device is not necessarily performed, except those mandated by government requirements.

CERTAIN APPLICATIONS USING SEMICONDUCTOR PRODUCTS MAY INVOLVE POTENTIAL RISKS OF DEATH, PERSONAL INJURY, OR SEVERE PROPERTY OR ENVIRONMENTAL DAMAGE ("CRITICAL APPLICATIONS"). TI SEMICONDUCTOR PRODUCTS ARE NOT DESIGNED, AUTHORIZED, OR WARRANTED TO BE SUITABLE FOR USE IN LIFE-SUPPORT DEVICES OR SYSTEMS OR OTHER CRITICAL APPLICATIONS. INCLUSION OF TI PRODUCTS IN SUCH APPLICATIONS IS UNDERSTOOD TO BE FULLY AT THE CUSTOMER'S RISK.

In order to minimize risks associated with the customer's applications, adequate design and operating safeguards must be provided by the customer to minimize inherent or procedural hazards.

TI assumes no liability for applications assistance or customer product design. TI does not warrant or represent that any license, either express or implied, is granted under any patent right, copyright, mask work right, or other intellectual property right of TI covering or relating to any combination, machine, or process in which such semiconductor products or services might be or are used. TI's publication of information regarding any third party's products or services does not constitute TI's approval, warranty or endorsement thereof.