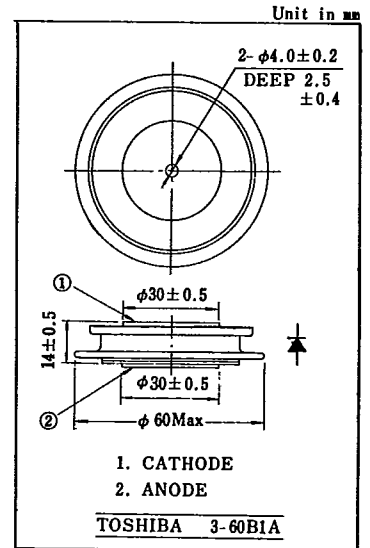


400EXD21 2500V 400A

MAXIMUM RATINGS

CHARACTERISTIC		SYMBOL	RATING	UNIT
Repetitive Peak Reverse Voltage	400QD21	V _{RRM}	1200	V
	400YD21		2000	
	400EXD21		2500	
Non-Repetitive Peak Reverse Voltage (Non-Repetitive < 5ms) T _j =0~150°C	400QD21	V _{RSM}	1450	V
	400YD21		2300	
	400EXD21		2750	
Average Forward Current	I _{F(AV)}		400	A
Peak One Cycle Surge Forward Current (Non-Repetitive)	I _{FSM}		6500(50Hz)	A
			7000(60Hz)	
Junction Temperature	T _j		-40~150	°C
Storage Temperature Range	T _{stg}		-40~150	°C
Mounting Force Required*			900~1100	kg

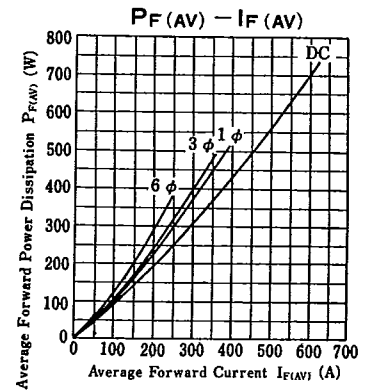
* Recommended Value : 1000±50kg



ELECTRICAL CHARACTERISTICS

CHARACTERISTIC	SYMBOL	CONDITION	MIN.	TYP.	MAX.	UNIT
Peak Forward Voltage	V _{FM}	I _{FM} =1250A, T _j =25°C	-	-	1.5	V
Repetitive Peak Reverse Current	I _{RRM}	V _{RRM} =Rated, T _j =150°C	-	-	20	mA
Thermal Resistance*	R _{th(j-f)}	DC	-	-	0.05	°C/W

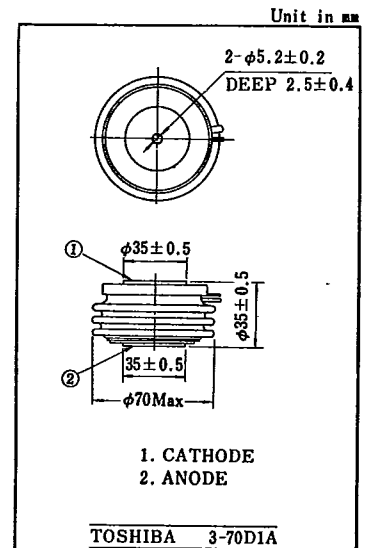
* Junction to Fin



500HXD25 5000V 500A

MAXIMUM RATINGS

CHARACTERISTIC	SYMBOL	RATING	UNIT
Repetitive Peak Reverse Voltage	V _{RRM}	5000	V
Non-Repetitive Peak Reverse Voltage (Non Repetitive < 5 ms) T _j =0~150°C	V _{RSM}	5300	V
Average Forward Current	I _{F(AV)}	500	A
Peak One Cycle Surge Forward Current (Non-Repetitive)	I _{FSM}	7200(50Hz)	A
		8000(60Hz)	
Junction Temperature	T _j	-40~150	°C
Storage Temperature Range	T _{stg}	-40~150	°C
Mounting Force Required		1500±150	kg



ELECTRICAL CHARACTERISTICS

CHARACTERISTIC	SYMBOL	CONDITION	MIN.	TYP.	MAX.	UNIT
Peak Forward Voltage	V _{FM}	I _{FM} =1500A, T _c =25°C	-	-	2.0	V
Repetitive Peak Reverse Current	I _{RRM}	V _{RRM} =Rated, T _j =150°C	-	-	40	mA
Thermal Resistance*	R _{th(j-f)}	DC	-	-	0.05	°C/W

* Junction to Fin

