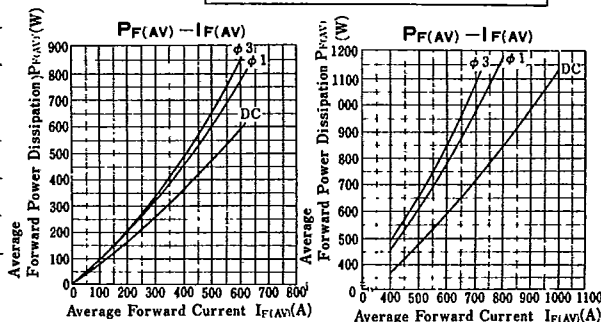
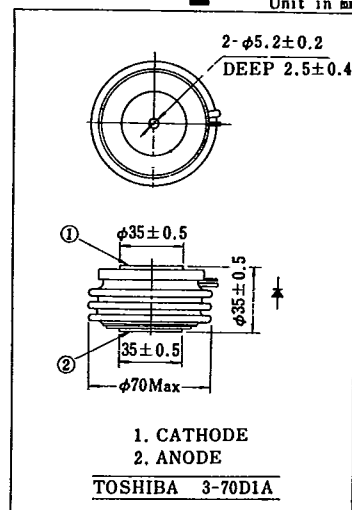


800FXD25 3000V 800A

MAXIMUM RATINGS

CHARACTERISTIC	SYMBOL	RATING	UNIT	
Repetitive Peak Reverse Voltage	V _{RRM}	800UD25	1600	V
		800YD25	2000	
		800EXD25	2500	
		800YKD25	2700	
		800FXD25	3000	
Non-Repetitive Peak Reverse Voltage (Non-Repetitive < 5 ms) T _j =0~150°C	V _{RSM}	800UD25	1900	V
		800YD25	2400	
		800EXD25	2750	
		800YKD25	3050	
		800FXD25	3300	
Average Forward Current	I _{F(AV)}	800	A	
Peak One Cycle Surge Forward Current (Non-Repetitive)	I _{FSM}	12800(50Hz)	A	
		14000(60Hz)		
Junction Temperature	T _j	-40~150	°C	
Storage Temperature Range	T _{stg}	-40~150	°C	
Mounting Force Required		1500±150	kg	



ELECTRICAL CHARACTERISTICS

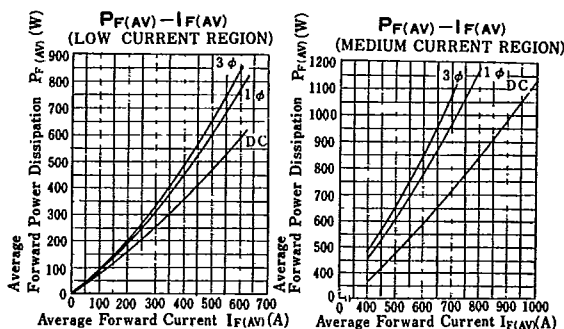
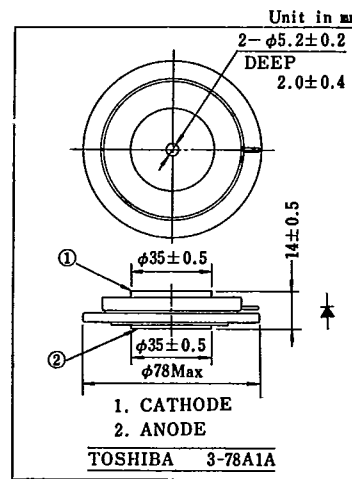
CHARACTERISTIC	SYMBOL	CONDITION	MIN.	TYP.	MAX.	UNIT
Peak Forward Voltage	V _{FM}	I _{FM} =2500A, T _C =25°C	-	-	1.55	V
Repetitive Peak Reverse Current	I _{RRM}	V _{RRM} =Rated, T _j =150°C	-	-	30	mA
Thermal Resistance *	R _{th(j-f)}	DC	-	-	0.05	°C/W

* Junction to Fin

800FXD26 3000V 800A

MAXIMUM RATINGS

CHARACTERISTIC	SYMBOL	RATING	UNIT	
Repetitive Peak Reverse Voltage	V _{RRM}	800UD26	1600	V
		800YD26	2000	
		800EXD26	2500	
		800YKD26	2700	
		800FXD26	3000	
Non-Repetitive Peak Reverse Voltage (Non-Repetitive < 5 ms) T _j =0~150°C	V _{RSM}	800UD26	1900	V
		800YD26	2400	
		800EXD26	2750	
		800YKD26	3050	
		800FXD26	3300	
Average Forward Current	I _{F(AV)}	800	A	
Peak One Cycle Surge Forward Current (Non-Repetitive)	I _{FSM}	12800(50Hz)	A	
		14000(60Hz)		
Junction Temperature	T _j	-40~150	°C	
Storage Temperature Range	T _{stg}	-40~150	°C	
Mounting Force Required		1500±150	kg	



ELECTRICAL CHARACTERISTICS

CHARACTERISTIC	SYMBOL	CONDITION	MIN.	TYP.	MAX.	UNIT
Peak Forward Voltage	V _{FM}	I _{FM} =2500A, T _C =25°C	-	-	1.55	V
Repetitive Peak Reverse Current	I _{RRM}	V _{RRM} =Rated, T _j =150°C	-	-	30	mA
Thermal Resistance	R _{th(j-f)}	DC	-	-	0.04	°C/W

* Junction to Fin