

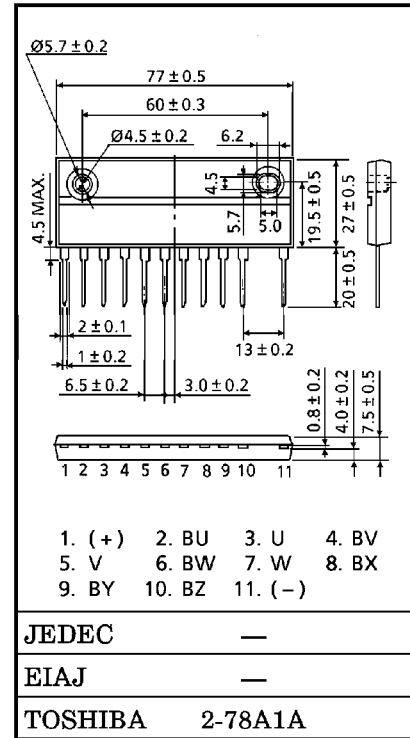
TOSHIBA POWER TRANSISTOR MODULE SILICON NPN TRIPLE DIFFUSED TYPE

MP6501A

HIGH POWER SWITCHING APPLICATIONS
MOTOR CONTROL APPLICATIONS

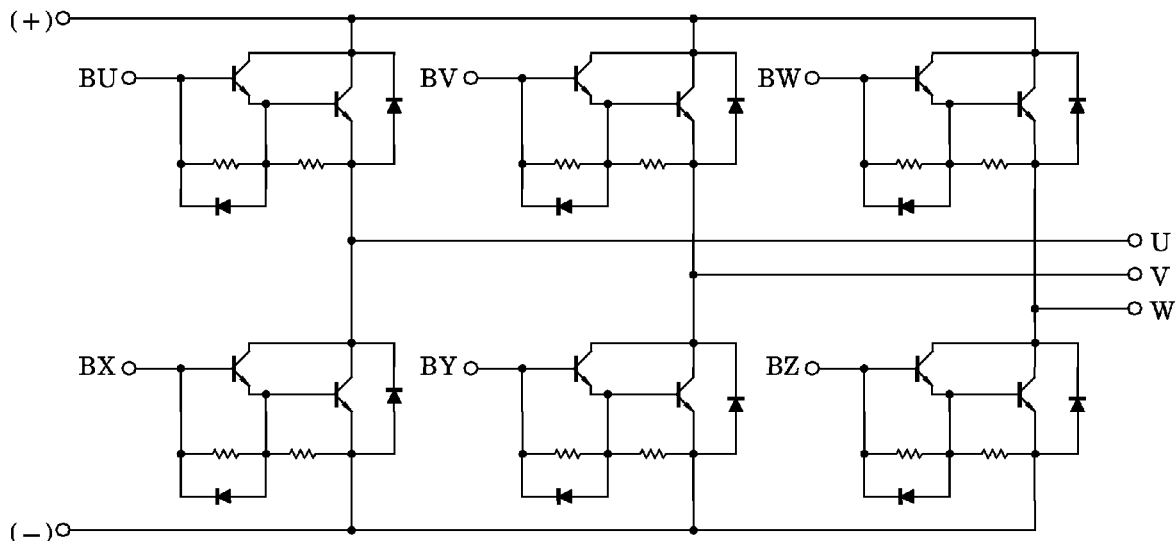
Unit in mm

- The Electrodes are is Isolated from Case.
- 6 Darlington Transistor Built Into in 1 Package
- High Input Impedance
- High DC Current Gain
: $h_{FE} = 100$ (Min.) ($I_C = 15A$)
- Low Saturation Voltage
: $V_{CE(sat)} = 2.1V$ (Max.) ($I_C = 15A$)



Weight : 44g

EQUIVALENT CIRCUIT



961001EAA2

- TOSHIBA is continually working to improve the quality and the reliability of its products. Nevertheless, semiconductor devices in general can malfunction or fail due to their inherent electrical sensitivity and vulnerability to physical stress. It is the responsibility of the buyer, when utilizing TOSHIBA products, to observe standards of safety, and to avoid situations in which a malfunction or failure of a TOSHIBA product could cause loss of human life, bodily injury or damage to property. In developing your designs, please ensure that TOSHIBA products are used within specified operating ranges as set forth in the most recent products specifications. Also, please keep in mind the precautions and conditions set forth in the TOSHIBA Semiconductor Reliability Handbook.
- The information contained herein is presented only as a guide for the applications of our products. No responsibility is assumed by TOSHIBA CORPORATION for any infringements of intellectual property or other rights of the third parties which may result from its use. No license is granted by implication or otherwise under any intellectual property or other rights of TOSHIBA CORPORATION or others.
- The information contained herein is subject to change without notice.

MAXIMUM RATINGS (Ta = 25°C)

CHARACTERISTIC		SYMBOL	RATING	UNIT
Collector-Base Voltage		V _{CB0}	500	V
Collector-Emitter Sustaining Voltage		V _{CEx} (SUS)	500	V
		V _{CE0} (SUS)	400	
Emitter-Base Voltage		V _{EBO}	6	V
Collector Current	DC	I _C	15	A
	1ms	I _{CP}	30	
Forward Current	DC	I _F	15	A
	1ms	I _{FM}	30	
Base Current		I _B	1.0	A
Collector Power Dissipation		P _C	60	W
Junction Temperature		T _j	150	°C
Storage Temperature Range		T _{stg}	-40~125	°C
Isolation Voltage		V _{Isol}	2500 (AC 1Min.)	V
Screw Torque		—	1.5	N·m

ELECTRICAL CHARACTERISTICS (Ta = 25°C)

CHARACTERISTIC		SYMBOL	TEST CONDITION	MIN.	TYP.	MAX.	UNIT
Collector Cut-Off Current		I _{CBO}	V _{CB} = 500V, I _E = 0	—	—	1.0	mA
Emitter Cut-Off Current		I _{EBO}	V _{BE} = 6V, I _C = 0	—	—	100	mA
Collector-Emitter Sustaining Voltage		V _{CEx} (SUS)	I _C = 0.5A, L = 40mH	400	—	—	V
DC Current Gain		h _{FE}	V _{CE} = 5V, I _C = 15A	100	—	—	
Collector-Emitter Saturation Voltage		V _{CE} (sat)	I _C = 15A, I _B = 0.4A	—	1.3	2.1	V
Base-Emitter Saturation Voltage		V _{BE} (sat)	I _C = 15A, I _B = 0.4A	—	2.0	2.5	V
Switching Time	Turn-On Time	t _{on}		—	0.6	1.0	µs
	Storage Time	t _{stg}		—	5	12	
	Fall Time	t _f		I _{B1} = -I _{B2} = 0.4A DUTY CYCLE = 0.5%	—	1.5	
Forward Voltage		V _F	I _F = 15A, I _B = 0	—	1.5	2.0	V
Reverse Recovery Time		t _{rr}	I _F = 15A, V _{BE} = -2A di / dt = 60A / µs	—	—	0.7	µs
Thermal Resistance		R _{th} (j-c)	—	—	—	2.08	°C / W

