

**QUAD 2-CHANNEL MULTIPLEXER**

The TC74AC157 is an advanced high speed CMOS QUAD 2-CHANNEL MULTIPLEXER fabricated with silicon gate and double-layer metal wiring C<sup>2</sup>MOS technology. It achieves the high speed operation similar to equivalent Bipolar Schottky TTL while maintaining the CMOS low power dissipation.

This device consist of four 2-input digital multiplexer with common select and strobe inputs.

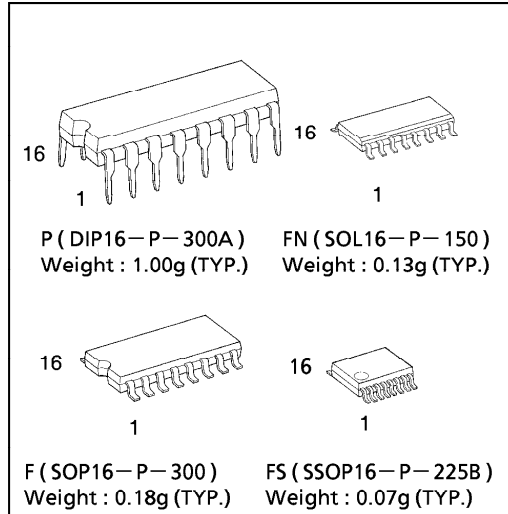
When the  $\overline{STROBE}$  input is held "H" level, selection of data is inhibited and all the outputs become "L" level.

The SELECT decoding determines whether the A or B inputs get routed to their corresponding Y outputs.

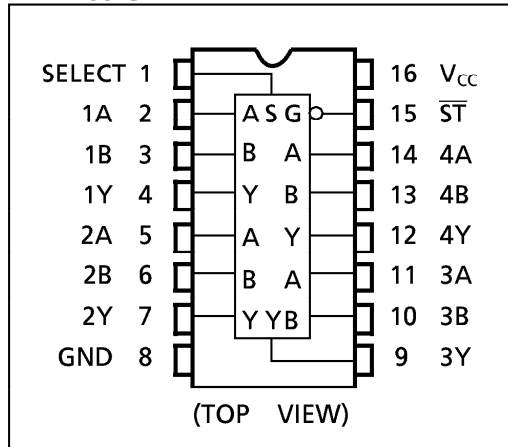
All inputs are equipped with protection circuits against static discharge or transient excess voltage.

**FEATURES :**

- High Speed..... $t_{pd} = 4.5ns$ (typ.) at  $V_{CC} = 5V$
- Low Power Dissipation..... $I_{CC} = 8\mu A$ (Max.) at  $T_a = 25^\circ C$
- High Noise Immunity..... $V_{NIH} = V_{NIL} = 28\% V_{CC}$  (Min.)
- Symmetrical Output Impedance...  $|I_{OH}| = I_{OL} = 24mA$ (Min.)  
Capability of driving  $50\Omega$  transmission lines.
- Balanced Propagation Delays..... $t_{pLH} \approx t_{pHL}$
- Wide Operating Voltage Range.... $V_{CC} (opr) = 2V \sim 5.5V$
- Pin and Function Compatible with 74F157



**PIN ASSIGNMENT**

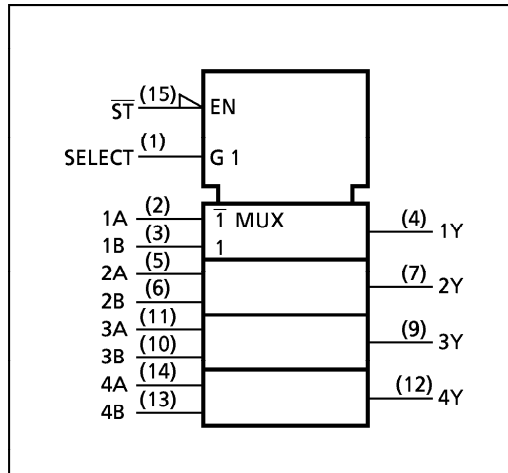


**TRUTH TABLE**

INPUTS				OUTPUTS
$\overline{ST}$	SELECT	A	B	Y
H	X	X	X	L
L	L	L	X	L
L	L	H	X	H
L	H	X	L	L
L	H	X	H	H

X : Don't Care

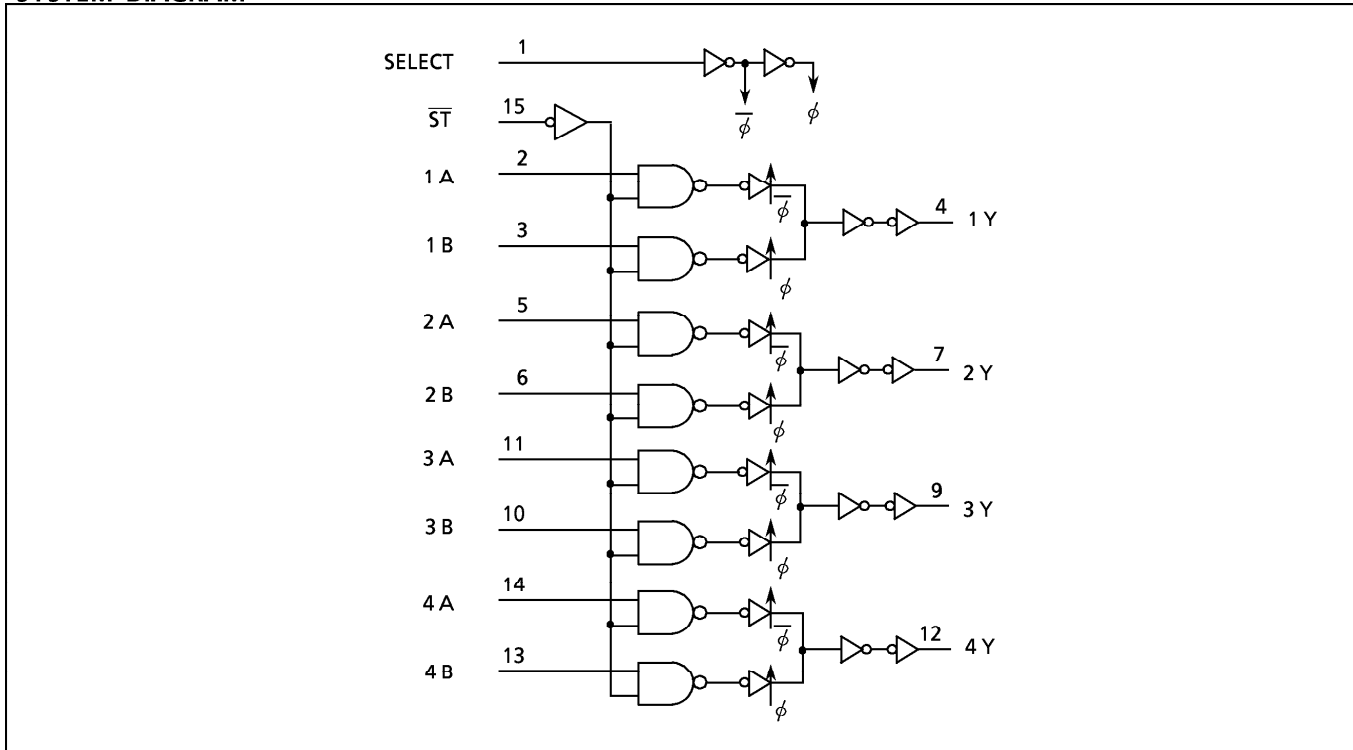
**IEC LOGIC SYMBOL**



© The information contained herein is presented only as a guide for the applications of our products. No responsibility is assumed by TOSHIBA CORPORATION for any infringements of intellectual property or other rights of the third parties which may result from its use. No license is granted by implication of otherwise under any intellectual property or other rights of TOSHIBA CORPORATION or others.

© These TOSHIBA products are intended for use in general commercial applications (office equipment, communication equipment, measuring equipment, domestic appliances, etc.). please make sure that you consult with us before you use these TOSHIBA products in equipment which requires extraordinarily high quality and/or reliability, and in equipment which may involve life threatening or critical application, including but not limited to such uses as atomic energy control, airplane or spaceship instrumentation, traffic signals, medical instrumentation, combustion control, all types of safety devices, etc. TOSHIBA cannot accept and hereby disclaims liability for any damage which may occur in case the TOSHIBA products are used in such equipment or applications without prior consultation with TOSHIBA.

**SYSTEM DIAGRAM**



**ABSOLUTE MAXIMUM RATINGS**

PARAMETER	SYMBOL	VALUE	UNIT
Supply Voltage Range	$V_{CC}$	$-0.5 \sim 7.0$	V
DC Input Voltage	$V_{IN}$	$-0.5 \sim V_{CC} + 0.5$	V
DC Output Voltage	$V_{OUT}$	$-0.5 \sim V_{CC} + 0.5$	V
Input Diode Current	$I_{IK}$	$\pm 20$	mA
Output Diode Current	$I_{OK}$	$\pm 50$	mA
DC Output Current	$I_{OUT}$	$\pm 50$	mA
DC $V_{CC}$ /Ground Current	$I_{CC}$	$\pm 100$	mA
Power Dissipation	$P_D$	500 (DIP)*/180 (SOP/SSOP)	mW
Storage Temperature	$T_{stg}$	$-65 \sim 150$	$^{\circ}C$

\*500mW in the range of  $T_a = -40^{\circ}C \sim 65^{\circ}C$ . From  $T_a = 65^{\circ}C$  to  $85^{\circ}C$  a derating factor of  $-10mW/^{\circ}C$  should be applied up to 300mW.

**RECOMMENDED OPERATING CONDITIONS**

PARAMETER	SYMBOL	VALUE	UNIT
Supply Voltage	$V_{CC}$	$2.0 \sim 5.5$	V
Input Voltage	$V_{IN}$	$0 \sim V_{CC}$	V
Output Voltage	$V_{OUT}$	$0 \sim V_{CC}$	V
Operating Temperature	$T_{opr}$	$-40 \sim 85$	$^{\circ}C$
Input Rise and Fall Time	$dt/dV$	$0 \sim 100 (V_{CC} = 3.3 \pm 0.3V)$ $0 \sim 20 (V_{CC} = 5 \pm 0.5V)$	ns/V

**DC ELECTRICAL CHARACTERISTICS**

PARAMETER	SYMBOL	TEST CONDITION	V <sub>CC</sub> (V)	Ta = 25°C			Ta = -40~85°C		UNIT	
				MIN.	TYP.	MAX.	MIN.	MAX.		
High - Level Input Voltage	V <sub>IH</sub>		2.0	1.50	—	—	1.50	—	V	
			3.0	2.10	—	—	2.10	—		
			5.5	3.85	—	—	3.85	—		
Low - Level Input Voltage	V <sub>IL</sub>		2.0	—	—	0.50	—	0.50	V	
			3.0	—	—	0.90	—	0.90		
			5.5	—	—	1.65	—	1.65		
High - Level Output Voltage	V <sub>OH</sub>	V <sub>IN</sub> = V <sub>IH</sub> or V <sub>IL</sub>	I <sub>OH</sub> = -50μA	2.0	1.9	2.0	—	1.9	—	V
				3.0	2.9	3.0	—	2.9	—	
			I <sub>OH</sub> = -4mA I <sub>OH</sub> = -24mA I <sub>OH</sub> = -75mA*	3.0	2.58	—	—	2.48	—	
				4.5	3.94	—	—	3.80	—	
Low - Level Output Voltage	V <sub>OL</sub>	V <sub>IN</sub> = V <sub>IH</sub> or V <sub>IL</sub>	I <sub>OL</sub> = 50μA	2.0	—	0.0	0.1	—	0.1	V
				3.0	—	0.0	0.1	—	0.1	
			I <sub>OL</sub> = 12mA I <sub>OL</sub> = 24mA I <sub>OL</sub> = 75mA*	3.0	—	—	0.36	—	0.44	
				4.5	—	—	0.36	—	0.44	
5.5	—	—	—	—	1.65	—				
Input Leakage Current	I <sub>IN</sub>	V <sub>IN</sub> = V <sub>CC</sub> or GND	5.5	—	—	±0.1	—	±1.0	μA	
Quiescent Supply Current	I <sub>CC</sub>	V <sub>IN</sub> = V <sub>CC</sub> or GND	5.5	—	—	8.0	—	80.0		

\* : This spec indicates the capability of driving 50Ω transmission lines.  
One output should be tested at a time for a 10ms maximum duration.

**AC ELECTRICAL CHARACTERISTICS (C<sub>L</sub> = 50pF, R<sub>L</sub> = 500Ω, Input t<sub>r</sub> = t<sub>f</sub> = 3ns)**

PARAMETER	SYMBOL	TEST CONDITION	V <sub>CC</sub> (V)	Ta = 25°C			Ta = -40~85°C		UNIT
				MIN.	TYP.	MAX.	MIN.	MAX.	
Propagation Delay Time (A, B-Y)	t <sub>pLH</sub> t <sub>pHL</sub>		3.3 ± 0.3	—	7.2	12.2	1.0	14.0	ns
			5.0 ± 0.5	—	5.5	7.9	1.0	9.1	
Propagation Delay Time (SELECT-Y)	t <sub>pLH</sub> t <sub>pHL</sub>		3.3 ± 0.3	—	8.5	14.5	1.0	16.7	
			5.0 ± 0.5	—	6.3	9.1	1.0	10.5	
Propagation Delay Time ( $\overline{ST}$ -Y)	t <sub>pLH</sub> t <sub>pHL</sub>		3.3 ± 0.3	—	8.6	14.6	1.0	16.8	
			5.0 ± 0.5	—	6.4	9.2	1.0	10.6	
Input Capacitance	C <sub>IN</sub>			—	5	10	—	10	pF
Power Dissipation Capacitance	C <sub>PD</sub> (1)			—	93	—	—	—	

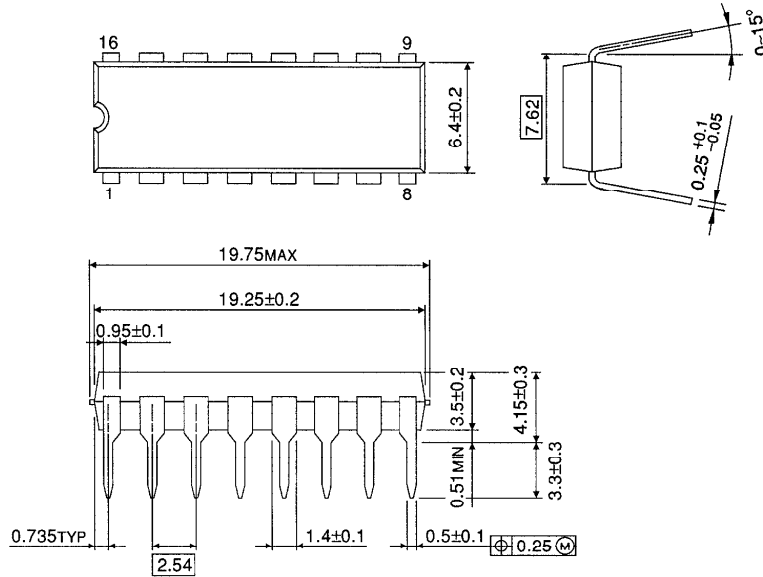
Note (1) C<sub>PD</sub> is defined as the value of the internal equivalent capacitance which is calculated from the operating current consumption without load.

Average operating current can be obtained by the equation :

$$I_{CC}(\text{opr.}) = C_{PD} \cdot V_{CC} \cdot f_{IN} + I_{CC} / 4 \text{ (per bit)}$$

**DIP 16PIN OUTLINE DRAWING (DIP16-P-300A)**

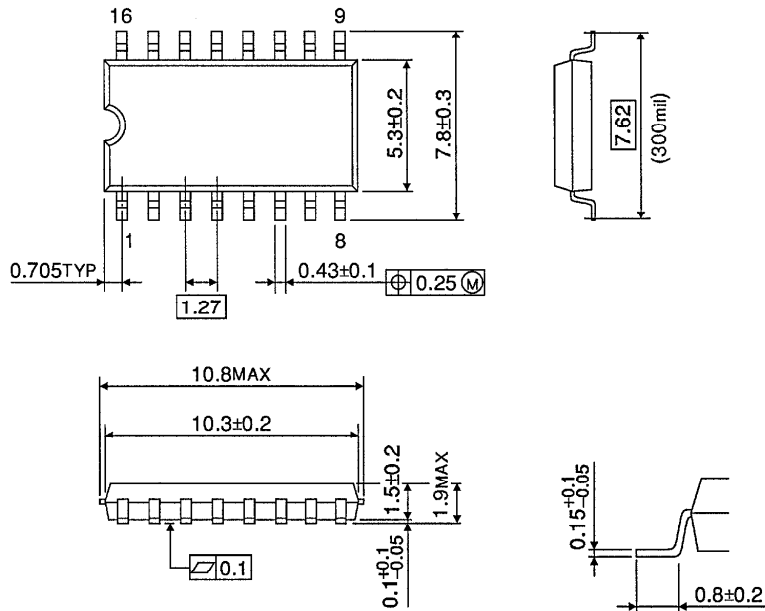
Unit in mm



Weight : 1.00g (TYP.)

**SOP 16PIN (200mil BODY) OUTLINE DRAWING (SOP16-P-300)**

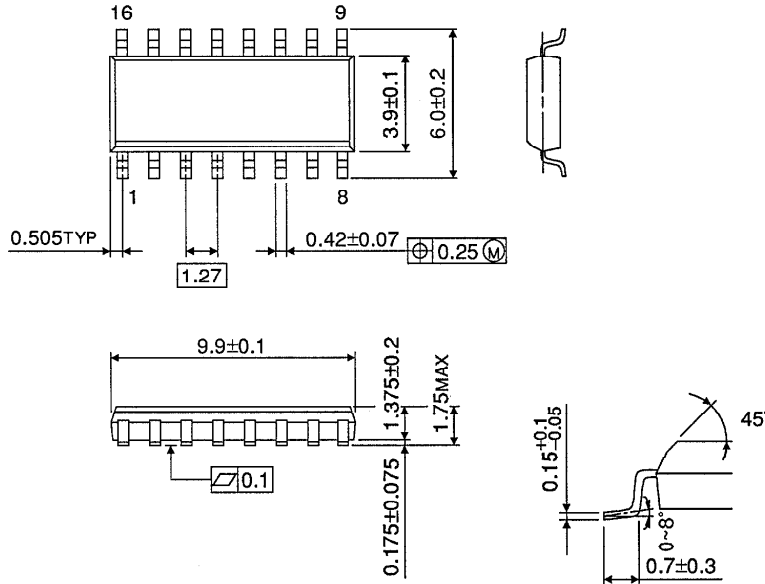
Unit in mm



Weight : 0.18g (TYP.)

**SOP 16PIN (150mil BODY) OUTLINE DRAWING (SOL16-P-150)**

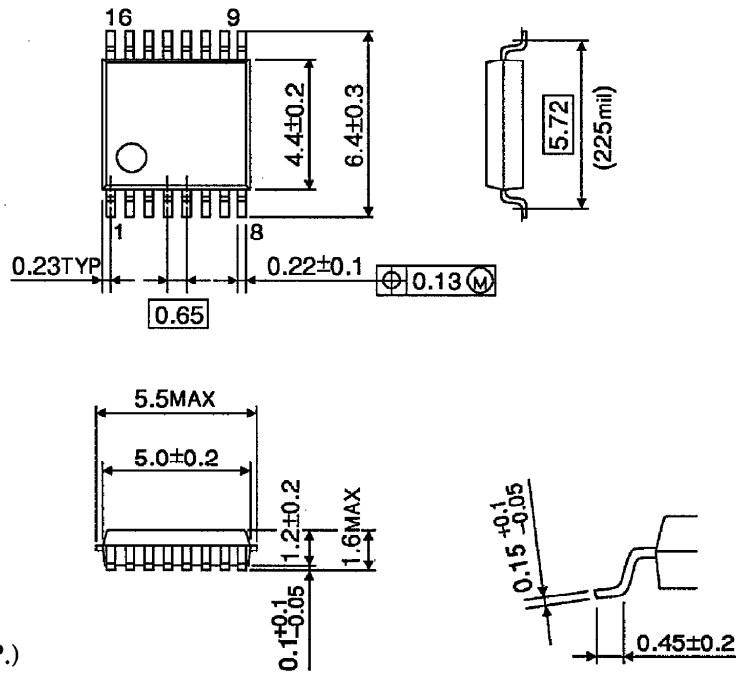
Unit in mm



Weight : 0.13g (TYP.)

**SSOP 16PIN OUTLINE DRAWING (SSOP16-P-225B)**

Unit in mm



Weight : 0.07g (TYP.)