

SYNCHRONOUS PRESETTABLE 4-BIT BINARY COUNTER
TC74ACT161P/F/FN ASYNCHRONOUS CLEAR
TC74ACT163P/F/FN SYNCHRONOUS CLEAR

The TC74ACT161 and T163 are advanced high speed CMOS SYNCHRONOUS PRESETTABLE 4 BIT BINARY COUNTERS fabricated with silicon gate and double-layer metal wiring C²MOS technology.

They achieve the high speed operation similar to equivalent Bipolar Schottky TTL while maintaining the CMOS low power dissipation.

These devices may be used as a level converter for interfacing TTL or NMOS to High Speed CMOS. The inputs are compatible with TTL, NMOS and CMOS output voltage levels.

The CK input is active on the rising edge. Both \overline{LOAD} and \overline{CLR} inputs are active on low logic level.

Presetting of these IC's is synchronous to the rising edge of CK.

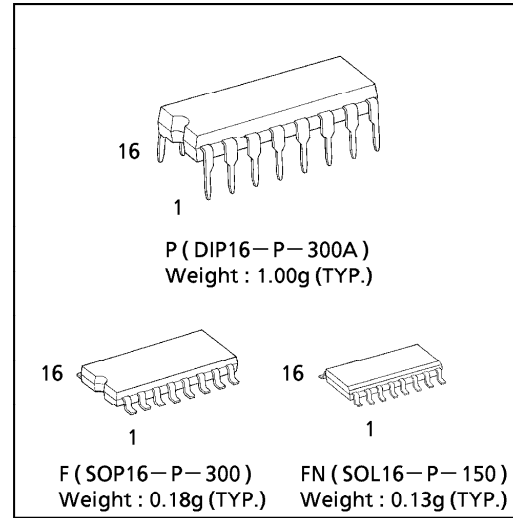
The clear function of the TC74ACT163 is synchronous to CK, while the TC74ACT161 are cleared asynchronously.

Two enable inputs (ENP and ENT) and CARRY OUTPUT are provided to enable easy cascading of counters, which facilitates easy implementation of n-bit counters without using external gates.

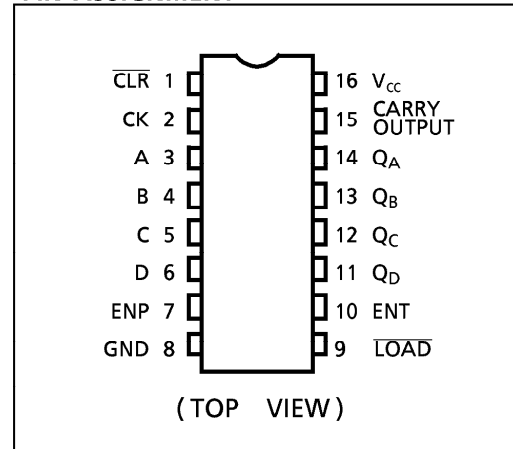
All inputs are equipped with protection circuits against static discharge or transient excess voltage.

FEATURES:

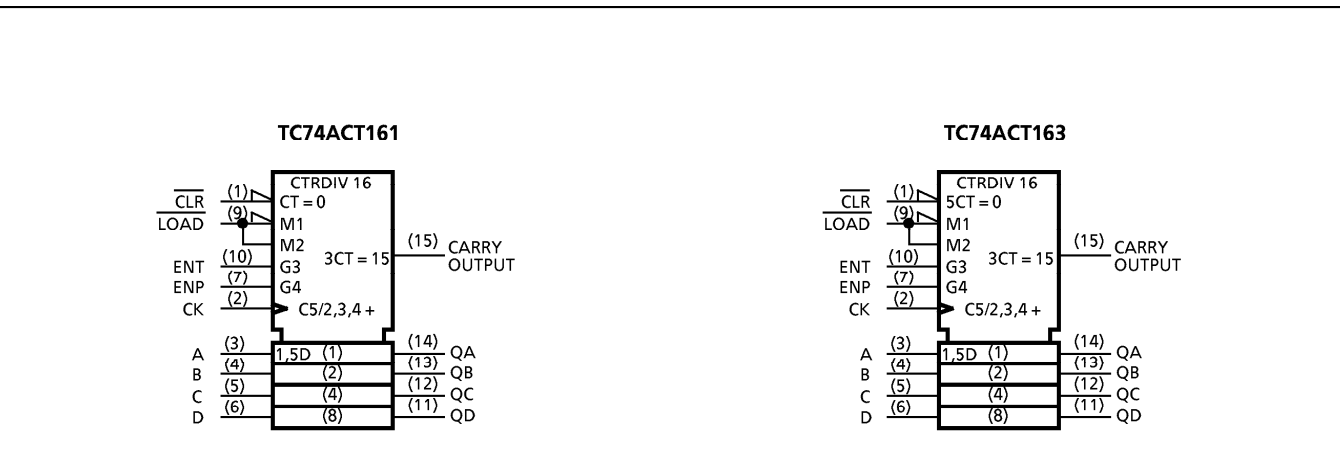
- High Speed..... $f_{MAX} = 110\text{MHz}(\text{typ.})$ at $V_{CC} = 5\text{V}$
- Low Power Dissipation..... $I_{CC} = 8\mu\text{A}(\text{Max.})$ at $T_a = 25^\circ\text{C}$
- Compatible with TTL outputs ... $V_{IL} = 0.8\text{V}(\text{Max.})$
 $V_{IH} = 2.0\text{V}(\text{Min.})$
- Symmetrical Output Impedance... $|I_{OH}| = I_{OL} = 24\text{mA}(\text{Min.})$
Capability of driving 50 Ω transmission lines.
- Balanced Propagation Delays..... $t_{pLH} \approx t_{pHL}$
- Pin and Function Compatible with 74F161 / 163



PIN ASSIGNMENT



IEC LOGIC SYMBOL



© The information contained herein is presented only as a guide for the applications of our products. No responsibility is assumed by TOSHIBA CORPORATION for any infringements of intellectual property or other rights of the third parties which may result from its use. No license is granted by implication of otherwise under any intellectual property or other rights of TOSHIBA CORPORATION or others.

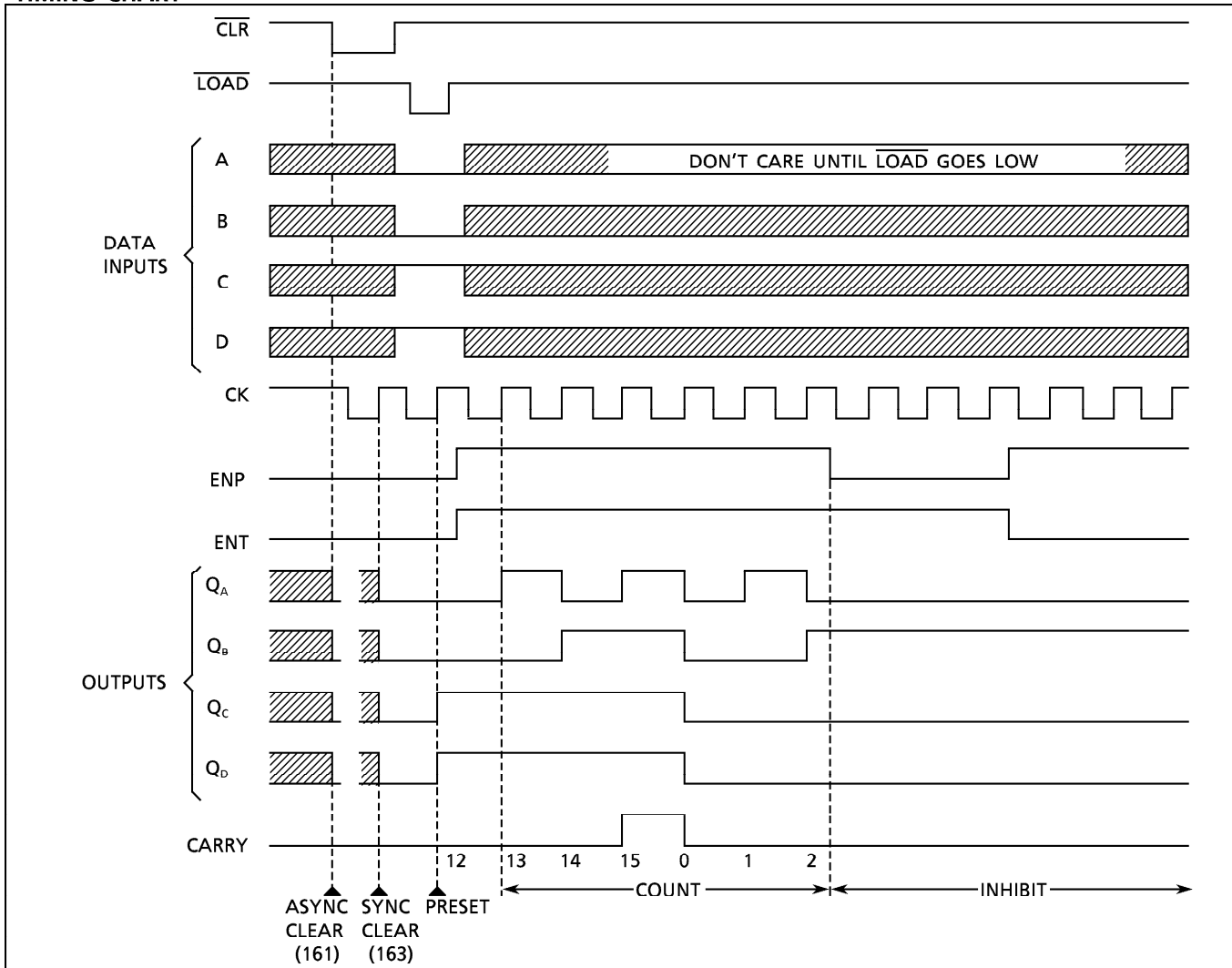
© These TOSHIBA products are intended for use in general commercial applications (office equipment, communication equipment, measuring equipment, domestic appliances, etc.). please make sure that you consult with us before you use these TOSHIBA products in equipment which requires extraordinarily high quality and/or reliability, and in equipment which may involve life threatening or critical application, including but not limited to such uses as atomic energy control, airplane or spaceship instrumentation, traffic signals, medical instrumentation, combustion control, all types of safety devices, etc. TOSHIBA cannot accept and hereby disclaims liability for any damage which may occur in case the TOSHIBA products are used in such equipment or applications without prior consultation with TOSHIBA.

TRUTH TABLE

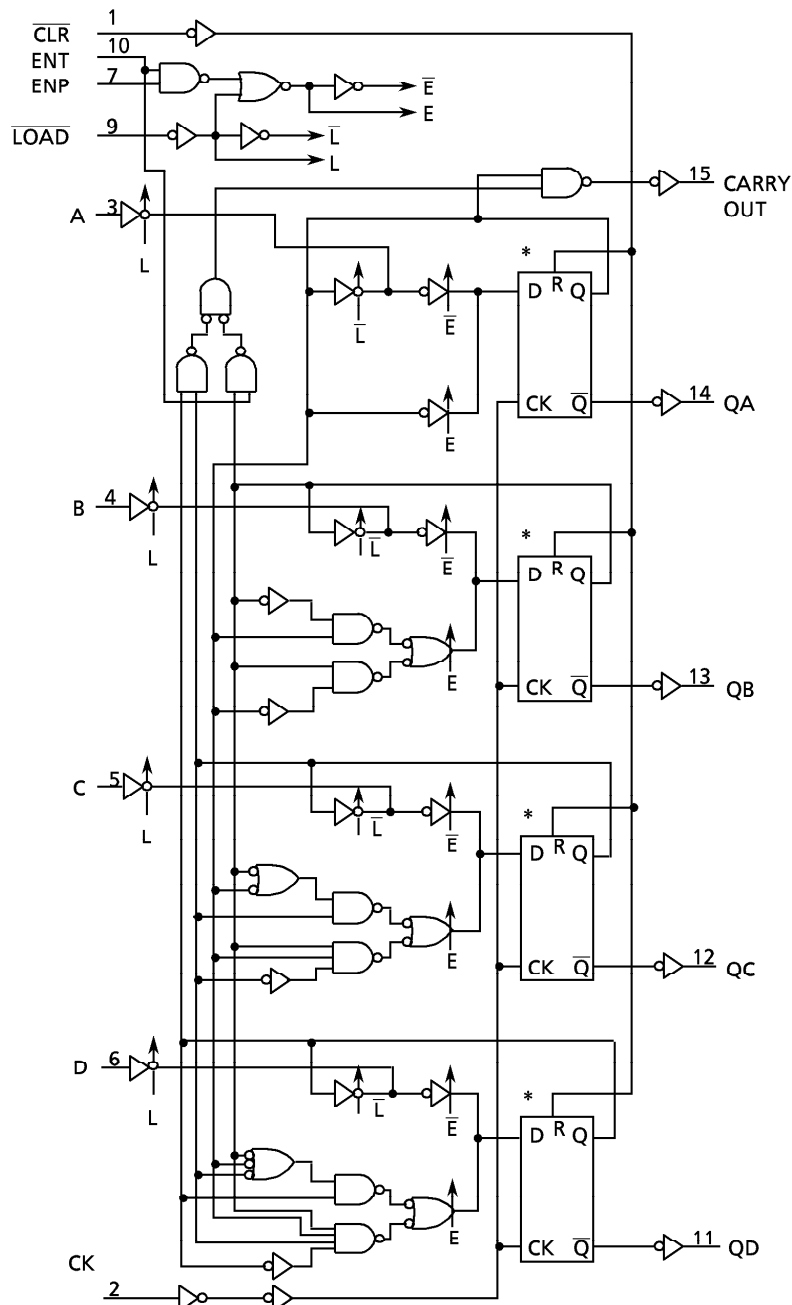
INPUTS							OUTPUTS				FUNCTION
CLR (161)	CLR (163)	LOAD	ENP	ENT	CK (161)	CK (163)	QA	QB	QC	QD	
L	L	X	X	X	X	\downarrow	L	L	L	L	RESET TO "0"
H	H	L	X	X	\downarrow	\downarrow	A	B	C	D	PRESET DATA
H	H	H	X	L	\downarrow	\downarrow	NO CHANGE				NO COUNT
H	H	H	L	X	\downarrow	\downarrow	NO CHANGE				NO COUNT
H	H	H	H	H	\downarrow	\downarrow	COUNT UP				COUNT
H	X	X	X	X	\downarrow	\downarrow	NO CHANGE				NO COUNT

Note X : Don't Care
A, B, C, D : Logic Level of Data Inputs
Carry : $CARRY = ENT \cdot QA \cdot QB \cdot QC \cdot QD$

TIMING CHART



SYSTEM DIAGRAM



* TRUTH TABLE OF INTERNAL F/F

TC74ACT161					TC74ACT163				
D	CK	R	Q	\bar{Q}	D	CK	R	Q	\bar{Q}
X	X	H	L	H	X	\uparrow	H	L	H
L	\uparrow	L	L	H	L	\uparrow	L	L	H
H	\uparrow	L	H	L	X	\uparrow	L	H	L
X	\uparrow	L	NO CHANGE		X	\uparrow	L	NO CHANGE	

X : Don't Care

ABSOLUTE MAXIMUM RATINGS

PARAMETER	SYMBOL	VALUE	UNIT
Supply Voltage Range	V_{CC}	-0.5~7.0	V
DC Input Voltage	V_{IN}	-0.5~ $V_{CC} + 0.5$	V
DC Output Voltage	V_{OUT}	-0.5~ $V_{CC} + 0.5$	V
Input Diode Current	I_{IK}	± 20	mA
Output Diode Current	I_{OK}	± 50	mA
DC Output Current	I_{OUT}	± 50	mA
DC V_{CC} /Ground Current	I_{CC}	± 125	mA
Power Dissipation	P_D	500 (DIP)* / 180 (SOP)	mW
Storage Temperature	T_{stg}	-65~150	°C

*500mW in the range of $T_a = -40^{\circ}\text{C} \sim 65^{\circ}\text{C}$. From $T_a = 65^{\circ}\text{C}$ to 85°C a derating factor of $-10\text{mW}/^{\circ}\text{C}$ should be applied up to 300mW.

RECOMMENDED OPERATING CONDITIONS

PARAMETER	SYMBOL	VALUE	UNIT
Supply Voltage	V_{CC}	4.5~5.5	V
Input Voltage	V_{IN}	0~ V_{CC}	V
Output Voltage	V_{OUT}	0~ V_{CC}	V
Operating Temperature	T_{opr}	-40~85	°C
Input Rise and Fall Time	dt/dV	0~10	ns/V

DC ELECTRICAL CHARACTERISTICS

PARAMETER	SYMBOL	TEST CONDITION	V_{CC} (V)	$T_a = 25^{\circ}\text{C}$			$T_a = -40 \sim 85^{\circ}\text{C}$		UNIT	
				MIN.	TYP.	MAX.	MIN.	MAX.		
High - Level Input Voltage	V_{IH}		4.5 § 5.5	2.0	—	—	2.0	—	V	
Low - Level Input Voltage	V_{IL}		4.5 § 5.5	—	—	0.8	—	0.8	V	
High - Level Output Voltage	V_{OH}	$V_{IN} = V_{IH}$ or V_{IL}	$I_{OH} = -50\mu\text{A}$	4.5	4.4	4.5	—	4.4	—	V
			$I_{OH} = -24\text{mA}$	4.5	3.94	—	—	3.80	—	
			$I_{OH} = -75\text{mA}^*$	5.5	—	—	—	3.85	—	
Low - Level Output Voltage	V_{OL}	$V_{IN} = V_{IH}$ or V_{IL}	$I_{OL} = 50\mu\text{A}$	4.5	—	0.0	0.1	—	0.1	V
			$I_{OL} = 24\text{mA}$	4.5	—	—	0.36	—	0.44	
			$I_{OL} = 75\text{mA}^*$	5.5	—	—	—	—	1.65	
Input Leakage Current	I_{IN}	$V_{IN} = V_{CC}$ or GND	5.5	—	—	± 0.1	—	± 1.0	μA	
Quiescent Supply Current	I_{CC}	$V_{IN} = V_{CC}$ or GND	5.5	—	—	8.0	—	80.0		
		I_C	PER INPUT : $V_{IN} = 3.4\text{V}$ OTHER INPUT : V_{CC} or GND	5.5	—	—	1.35	—	1.5	mA

* : This spec indicates the capability of driving 50Ω transmission lines.
One output should be tested at a time for a 10ms maximum duration.

TIMING REQUIREMENTS (Input $t_r = t_f = 3\text{ns}$)

PARAMETER	SYMBOL	TEST CONDITION	Ta = 25°C		Ta = -40~85°C		UNIT
			V _{CC} (V)	LIMIT	LIMIT	LIMIT	
Minimum Pulse Width (CK)	t _{W(L)} t _{W(H)}	Fig .1	5.0 ± 0.5	5.0	5.0	5.0	ns
Minimum Pulse Width ($\overline{\text{CLR}}$)*	t _{W(L)}	Fig .4	5.0 ± 0.5	5.0	5.0	5.0	
Minimum Pulse Width (LOAD, ENP, ENT)	t _s	Fig .2, 3	5.0 ± 0.5	6.0	6.0	6.0	
Minimum Set - up Time (A, B, C, D)	t _s	Fig .2	5.0 ± 0.5	4.0	4.0	4.0	
Minimum Set - up Time ($\overline{\text{CLR}}$)**	t _s	Fig .5	5.0 ± 0.5	3.0	3.0	3.0	
Minimum Hold Time ($\overline{\text{LOAD}}$, ENP, ENT)	t _h	Fig .2, 3	5.0 ± 0.5	1.0	1.0	1.0	
Minimum Hold Time (A, B, C, D)	t _h	Fig .2	5.0 ± 0.5	2.0	2.0	2.0	
Minimum Hold Time ($\overline{\text{CLR}}$)**	t _h	Fig .5	5.0 ± 0.5	2.0	2.0	2.0	
Minimum Removal Time ($\overline{\text{CLR}}$)*	t _{rem}	Fig .4	5.0 ± 0.5	1.0	1.0	1.0	

* for TC74ACT161 only

** for TC74ACT163 only

AC ELECTRICAL CHARACTERISTICS (CL = 50pF, RL = 500 Ω, Input tr = tf = 3ns)

PARAMETER	SYMBOL	TEST CONDITION	Ta = 25°C			Ta = -40~85°C		UNIT	
			V _{CC} (V)	MIN.	TYP.	MAX.	MIN.		MAX.
Propagation Delay Time (CK-Q)	t _{pLH} t _{pHL}	Fig.1	5.0 ± 0.5	—	7.2	10.5	1.0	12.0	ns
Propagation Delay Time (CK-CARRY, Count Mode)	t _{pLH} t _{pHL}	Fig.1	5.0 ± 0.5	—	8.5	13.0	1.0	15.0	
Propagation Delay Time (CK-CARRY, Preset Mode)	t _{pLH} t _{pHL}	Fig.2	5.0 ± 0.5	—	9.7	15.0	1.0	17.0	
Propagation Delay Time (ENT-CARRY)	t _{pLH} t _{pHL}	Fig.6	5.0 ± 0.5	—	6.6	10.0	1.0	11.5	
Propagation Delay Time ($\overline{\text{CLR}}$ -Q)*	t _{pHL}	Fig.4	5.0 ± 0.5	—	6.3	10.0	1.0	11.5	
Propagation Delay Time ($\overline{\text{CLR}}$ -CARRY)*	t _{pHL}	Fig.4	5.0 ± 0.5	—	7.7	12.3	1.0	14.0	
Maximum Clock Frequency	f _{MAX}		5.0 ± 0.5	70	100	—	60	—	MHz
Input Capacitance	C _{IN}			—	5	10	—	10	pF
Power Dissipation Capacitance	C _{PD} (1)			—	46	—	—	—	

Note (1) C_{PD} is defined as the value of the internal equivalent capacitance which is calculated from the operating current consumption without load.

Average operating current can be obtained by the equation :

$$I_{CC(\text{opr.})} = C_{PD} \cdot V_{CC} \cdot f_{IN} + I_{CC}$$

When the outputs drive a capacitive load, total current consumption is the sum of C_{PD}, and ΔI_{CC} which is obtained from the following formula:

$$\Delta I_{CC} = f_{CK} \cdot V_{CC} \left(\frac{C_{QA}}{2} + \frac{C_{QB}}{4} + \frac{C_{QC}}{8} + \frac{C_{QD}}{16} + \frac{C_{CO}}{16} \right)$$

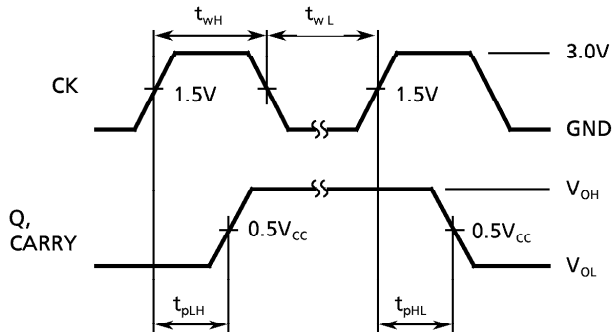
C_{QA}~C_{QD} and C_{CO} are the capacitances at QA~QD and CARRY OUT, respectively.

f_{CK} is the input frequency of the CK.

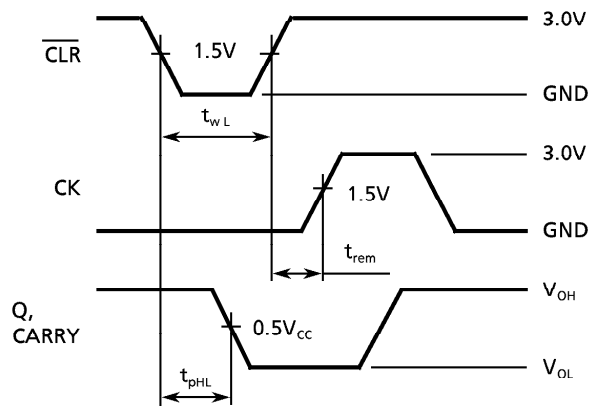
(2) * for TC74ACT161 only

SWITCHING CHARACTERISTICS TEST WAVEFORM

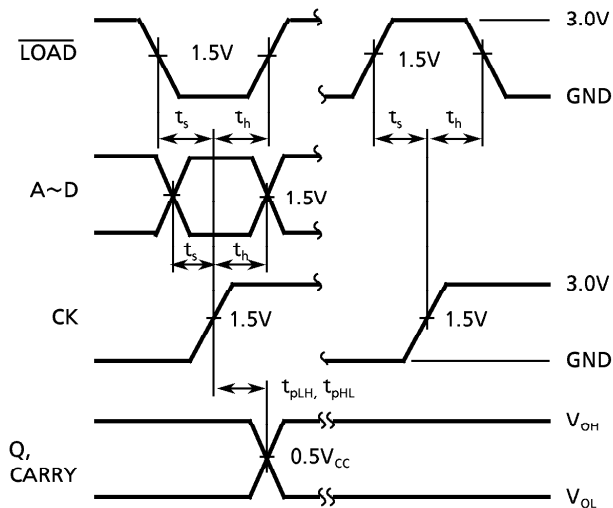
COUNT MODE (Fig. 1)



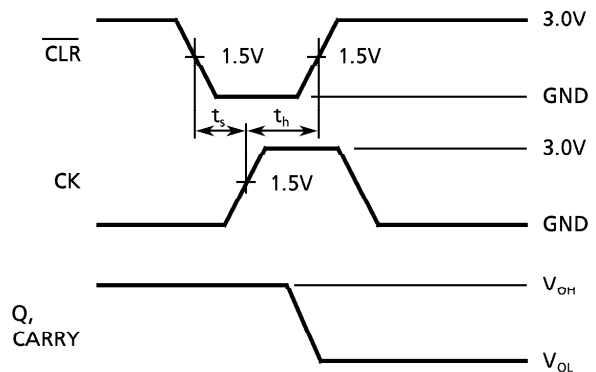
CLEAR MODE (TC74ACT161) (Fig. 4)



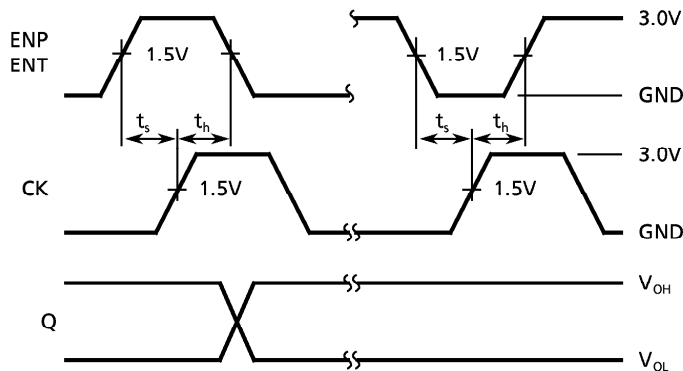
PRESET MODE (Fig. 2)



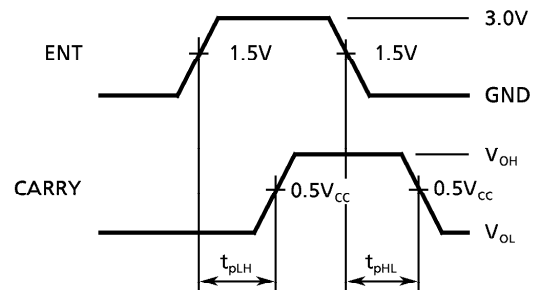
CLEAR MODE (TC74ACT163) (Fig. 5)



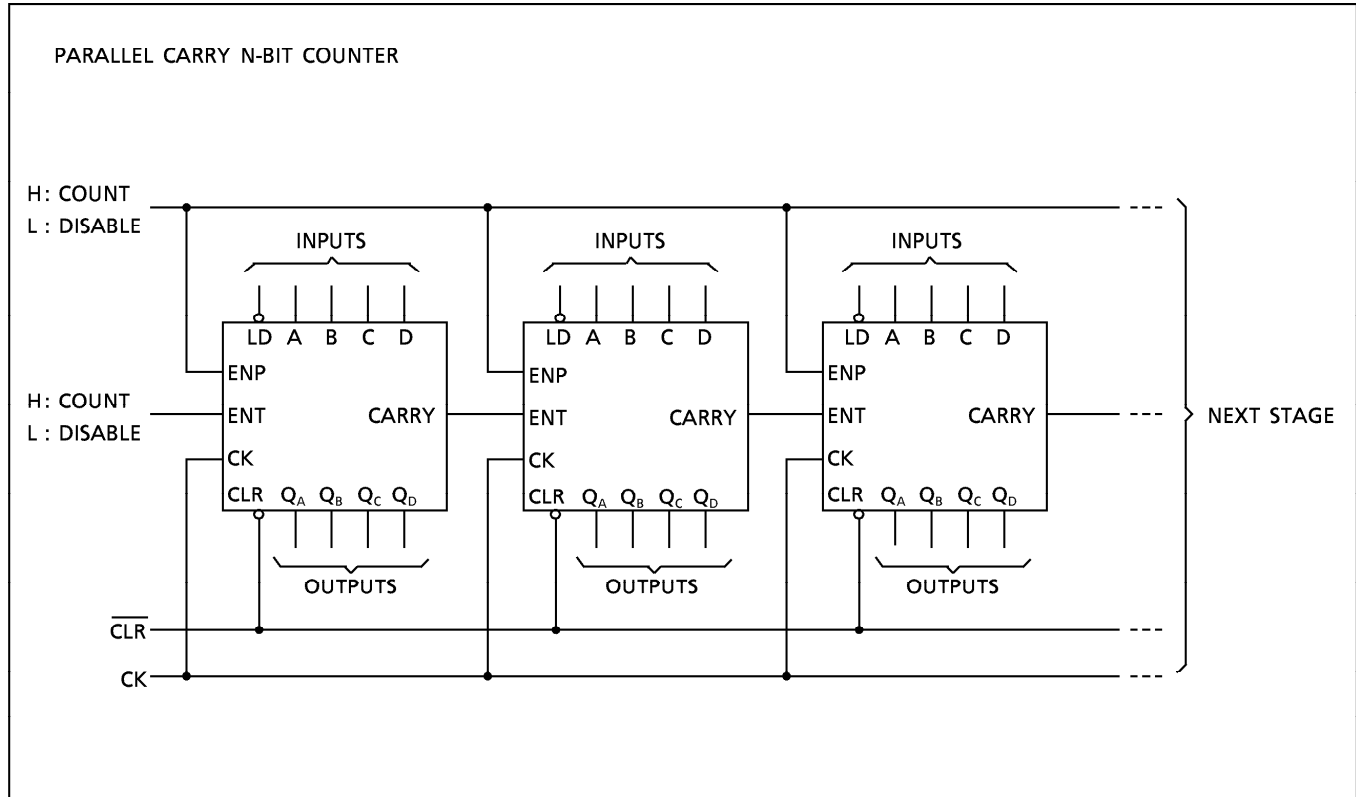
COUNT ENABLE MODE (Fig. 3)



CASCADE MODE (Fix Maximum Count) (Fig. 6)

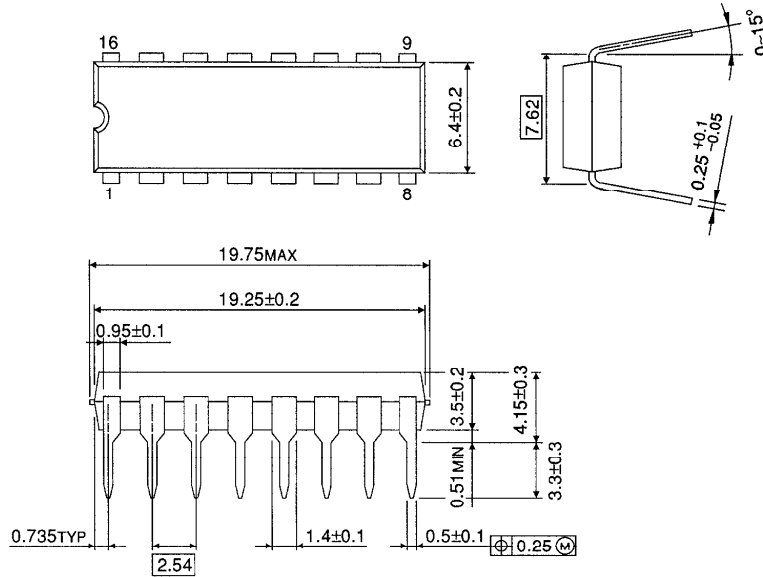


TYPICAL APPLICATION



DIP 16PIN OUTLINE DRAWING (DIP16-P-300A)

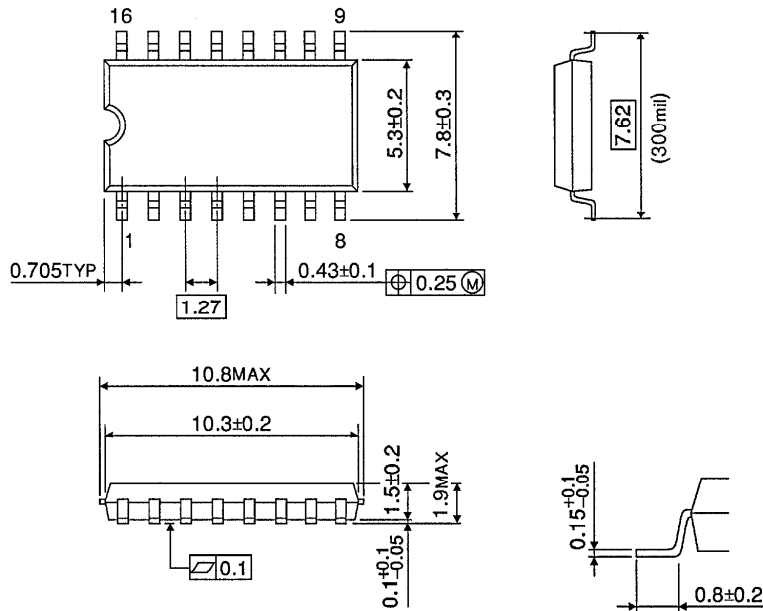
Unit in mm



Weight : 1.00g (TYP.)

SOP 16PIN (200mil BODY) OUTLINE DRAWING (SOP16-P-300)

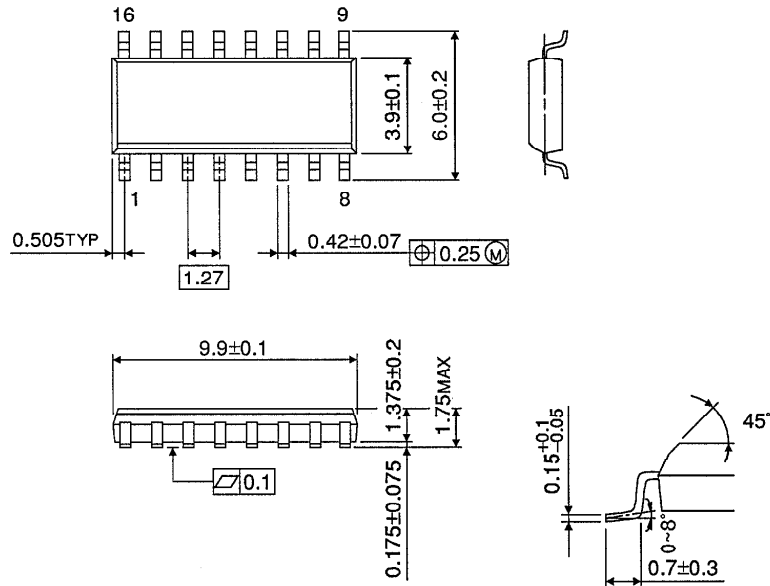
Unit in mm



Weight : 0.18g (TYP.)

SOP 16PIN (150mil BODY) OUTLINE DRAWING (SOL16-P-150)

Unit in mm



Weight : 0.13g (TYP.)