

TOSHIBA TRANSISTOR SILICON NPN EPITAXIAL PLANAR TYPE

2SC383TM, 2SC388ATM

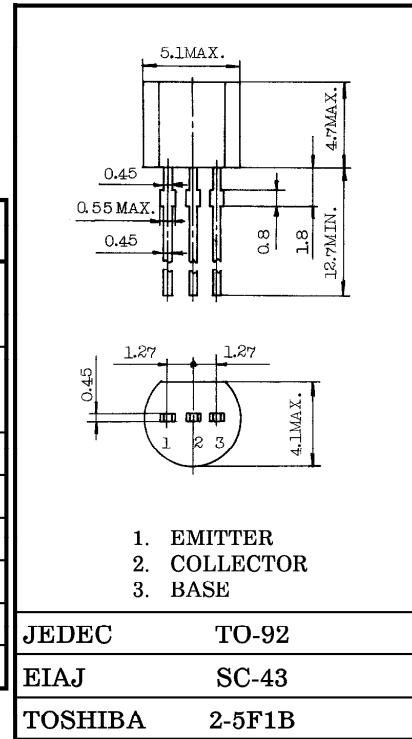
TV FINAL PICTURE IF AMPLIFIER APPLICATIONS.

Unit in mm

- High Gain : $G_{pe} = 33\text{dB}$ (Typ.) ($f = 45\text{MHz}$)
- Good Linearity of h_{FE} .

MAXIMUM RATINGS ($T_a = 25^\circ\text{C}$)

CHARACTERISTIC	SYMBOL	RATING	UNIT	
Collector Base Voltage	V_{CB0}	2SC383TM	50	V
		2SC388ATM	30	
Collector Emitter Voltage	V_{CE0}	2SC383TM	45	V
		2SC388ATM	25	
Emitter-Base Voltage	V_{EB0}	4	V	
Collector Current	I_C	50	mA	
Emitter Current	I_E	-50	mA	
Collector Power Dissipation	P_C	300	mW	
Junction Temperature	T_j	125	$^\circ\text{C}$	
Storage Temperature Range	T_{stg}	-55~125	$^\circ\text{C}$	



ELECTRICAL CHARACTERISTICS ($T_a = 25^\circ\text{C}$)

Weight : 0.21g

CHARACTERISTIC	SYMBOL	TEST CONDITION	MIN.	TYP.	MAX.	UNIT	
Collector Cut-off Current	I_{CBO}	$V_{CB} = 50\text{V}, I_E = 0$	—	—	0.1	μA	
		$V_{CB} = 30\text{V}, I_E = 0$					
Emitter Cut-off Current	I_{EBO}	$V_{EB} = 3\text{V}, I_C = 0$	—	—	0.1		
Collector-Emitter Breakdown Voltage	$V_{(BR)CEO}$	$I_C = 1\text{mA}, I_B = 0$	2SC383TM	45	—	—	V
			2SC388ATM	25	—	—	
DC Current Gain	h_{FE}	$V_{CE} = 12.5\text{V}, I_C = 12.5\text{mA}$	2SC383TM	20	—	100	—
			2SC388ATM	20	—	200	
Saturation Voltage	Collector-Emitter	$I_C = 15\text{mA}, I_B = 1.5\text{mA}$	$V_{CE(sat)}$	—	—	0.2	V
	Base-Emitter		$V_{BE(sat)}$	—	—	1.5	
Collector Output Capacitance	C_{ob}	$V_{CB} = 10\text{V}, I_E = 0, f = \text{MHz}$	0.8	—	2.0	pF	
Collector-Base Time Constant	$C_{c,rbb'}$	$V_{CB} = 10\text{V}, I_E = -1\text{mA}, f = 30\text{MHz}$	—	—	25	ps	
Transition Frequency	f_T	$V_{CE} = 12.5\text{V}, I_C = 12.5\text{mA}$	300	—	—	MHz	
Power Gain (Fig.1)	G_{pe}	$V_{CC} = 12.5\text{V}, I_E = -12.5\text{mA}, f = 45\text{MHz}$	2SC383TM	29	—	36	dB
			2SC388ATM	28	—	36	

961001EAA2

● TOSHIBA is continually working to improve the quality and the reliability of its products. Nevertheless, semiconductor devices in general can malfunction or fail due to their inherent electrical sensitivity and vulnerability to physical stress. It is the responsibility of the buyer, when utilizing TOSHIBA products, to observe standards of safety, and to avoid situations in which a malfunction or failure of a TOSHIBA product could cause loss of human life, bodily injury or damage to property. In developing your designs, please ensure that TOSHIBA products are used within specified operating ranges as set forth in the most recent products specifications. Also, please keep in mind the precautions and conditions set forth in the TOSHIBA Semiconductor Reliability Handbook.

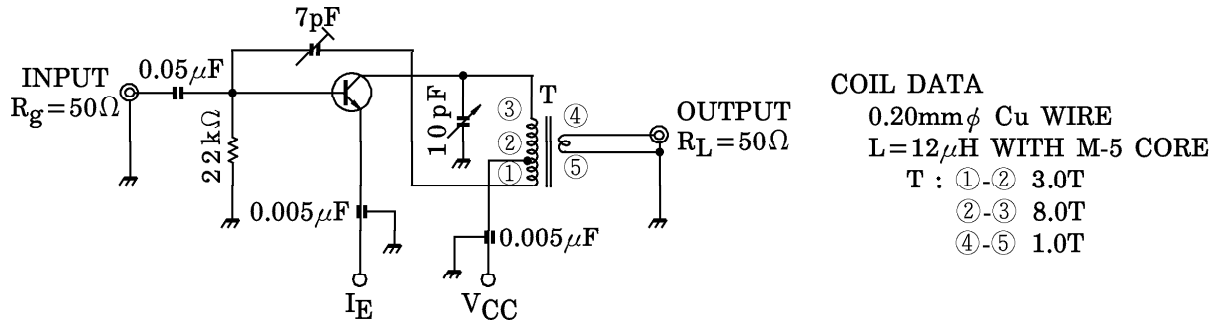
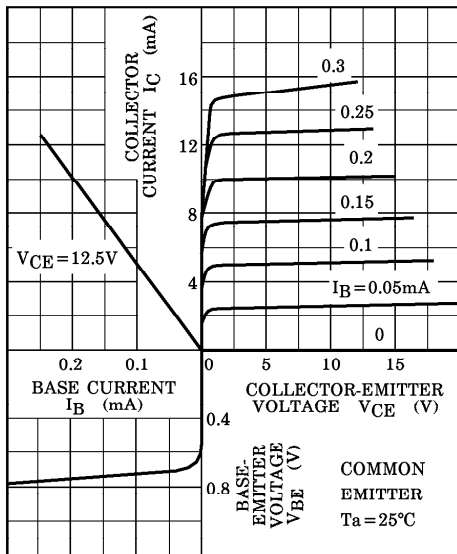
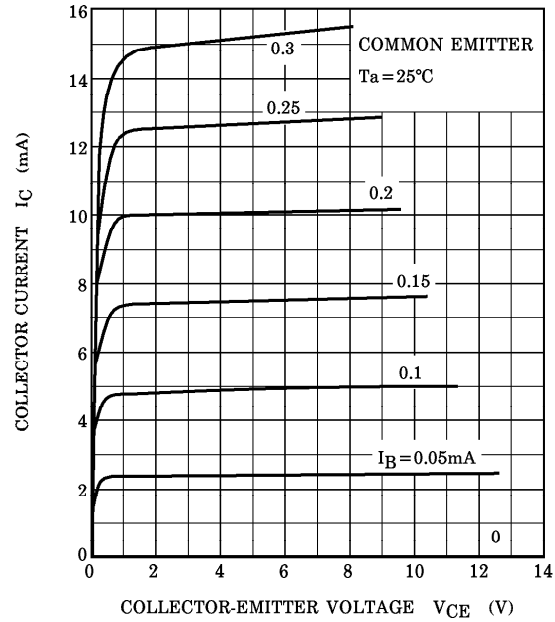


Fig.1 45MHz G_{pe} TEST CIRCUIT

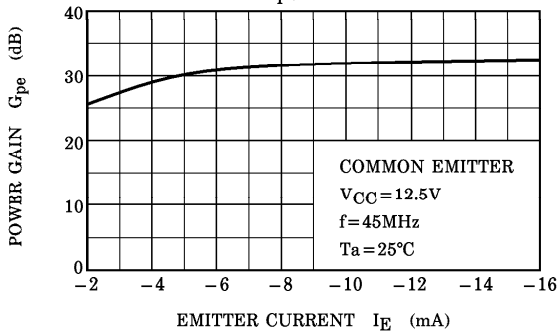
STATIC CHARACTERISTICS



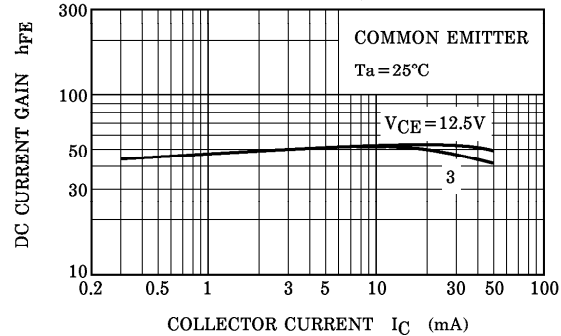
$I_C - V_{CE}$



$G_{pe} - I_E$ (See Fig.1)



$h_{FE} - I_C$



961001EAA2'

● The information contained herein is presented only as a guide for the applications of our products. No responsibility is assumed by TOSHIBA CORPORATION for any infringements of intellectual property or other rights of the third parties which may result from its use. No license is granted by implication or otherwise under any intellectual property or other rights of TOSHIBA CORPORATION or others.
 ● The information contained herein is subject to change without notice.

