

## Triad Transformer Catalog

**AUDIO TRANSFORMERS - PC MOUNT****Description:**

Triad Magnetics produces a wide assortment of TRIAD audio transformers for use in printed circuit designs. These transformers fill a broad application spectrum in the audio industry. TRIAD audio printed circuit transformers are used in line matching, telephone coupling, pulse trigger, driver, interstage, output, isolation and input applications.

**Specifications:**

Frequency Response Ranges: 200 - 15,000 Hz

Impedance Matching: 10% over freq. range.

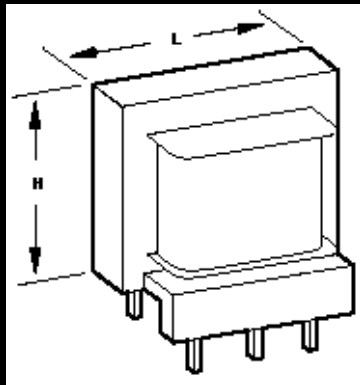


Figure A

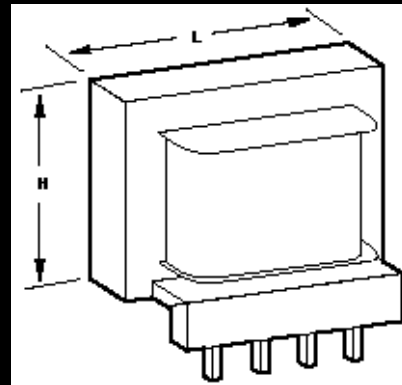


Figure B

[ PRODUCTS ]  
[ SALES CHANNELS ]  
[ COMPANY ]  
[ CONTACT ]  
[ HOME ]

**PLUG-IN PRINTED CIRCUIT AUDIO TRANSFORMERS**

Type No.	Output mW	Primary Impedance	Secondary Impedance	Figure	Pri. DC Unbalance	Dimensions							Wt. Oz.
						H	D	L	A	B	C	J	
TY-141P	100	10,000 CT	10,000 CT	A	4 Ma	5/8	19/32	13/16	3/16	27/64	3/16	0.042	.51
TY-142P	100	10,000 CT	2,000 CT	A	4 Ma	5/8	19/32	13/16	3/16	27/64	3/16	0.042	.51
TY-144P	100	15,000 CT	15,000 CT	A	4 Ma	5/8	19/32	13/16	3/16	27/64	3/16	0.042	.51
TY-145P	100	600 CT	600 CT	A	15 Ma	5/8	19/32	13/16	3/16	27/64	3/16	0.042	.51
TY-146P	1 Watt	600 CT/150*	600 CT/150*	B	-	1 1/8	1 1/8	1 3/8	13/64	1 1/32	3/16	0.042	3.0

\* Split winding

\*\* Inductance tolerance - 20% + 50%

CT=Center Tap

**TECHNICAL NOTES:**

1. Plug-in terminals are spaced to provide fixed mounting centers.

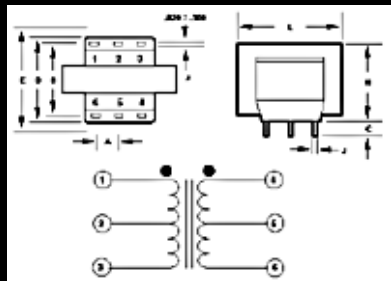


Figure A

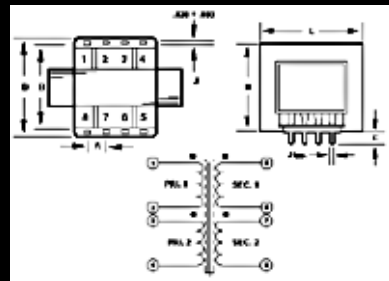


Figure B