

**Cascadable Amplifier  
10 to 700 MHz**

**A59-1/ SMA59-1**

V2

**Features**

- HIGH DYNAMIC RANGE: +117 dBm (1 MHz Band)
- HIGH OUTPUT POWER: +22 dBm (TYP.)
- HIGH THIRD ORDER I.P. + 36 dBm (TYP.)
- WIDE POWER SUPPLY RANGE: +5 TO +15 VOLTS

**Description**

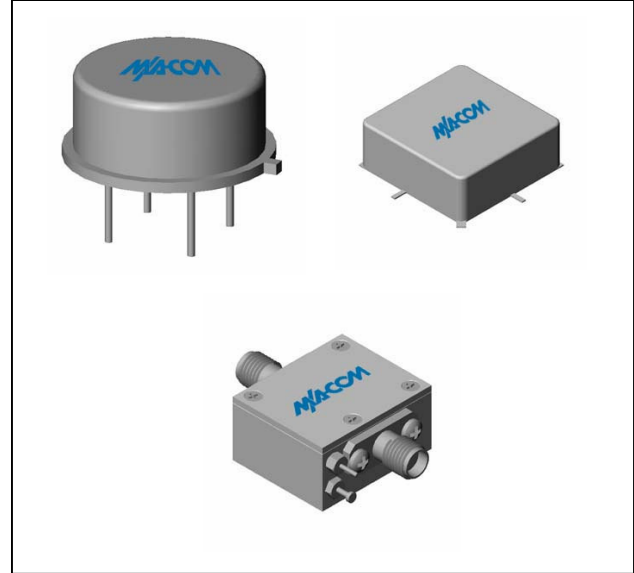
The A59-1 RF amplifier is a discrete thin film hybrid design, which incorporates the use of thin film manufacturing processes for accurate performance and high reliability. This single stage bipolar transistor feedback amplifier design displays impressive performance over a broadband frequency range. An active DC biasing network is used for temperature-stable performance, in addition to an RF Choke, used for power supply decoupling. Both TO-8 and Surface Mount packages are hermetically sealed, and MIL-STD-883 environmental screening is available.

**Ordering Information**

Part Number	Package
A59-1	TO-8
SMA59-1	Surface Mount
CA59-1 **	SMA Connectorized

\*\* The connectorized version is not RoHS compliant.

**Product Image**



**Electrical Specifications:  $Z_0 = 50\Omega$ ,  $V_{CC} = +15 V_{DC}$**

Parameter	Units	Typical	Guaranteed	
		25°C	0° to 50°C	-54° to +85°C*
Frequency	MHz	2-800	10-700	10-700
Small Signal Gain (min)	dB	10.5	9.5	9.0
Gain Flatness (max)	dB	±0.4	±0.8	±1.0
Reverse Isolation	dB	16		
Noise Figure (max)	dB	6.0	7.5	8.0
Power Output @ 1 dB comp. (min)	dBm	22.0	20.0	20.0
IP3	dBm	+36		
IP2	dBm	+62		
Second Order Harmonic IP	dBm	+64		
VSWR Input / Output (max)		1.5:1 / 1.5:1	1.9:1 / 1.9:1	2.0:1 / 2.0:1
DC Current @ 15 Volts (max)	mA	88	98	98

**Absolute Maximum Ratings**

Parameter	Absolute Maximum
Storage Temperature	-62°C to +125°C
Case Temperature	+125°C
DC Voltage	+17 V
Continuous Input Power	17 dBm
Short Term Input power (1 minute max.)	100 mW
Peak Power (3 µsec max.)	0.5 W
"S" Series Burn-In Temperature (case)	+125°C

**Thermal Data:  $V_{CC} = +15 V_{DC}$**

Parameter	Rating
Thermal Resistance $\theta_{jc}$	45°C/W
Transistor Power Dissipation $P_d$	0.814 W
Junction Temperature Rise Above Case $T_{jc}$	37°C

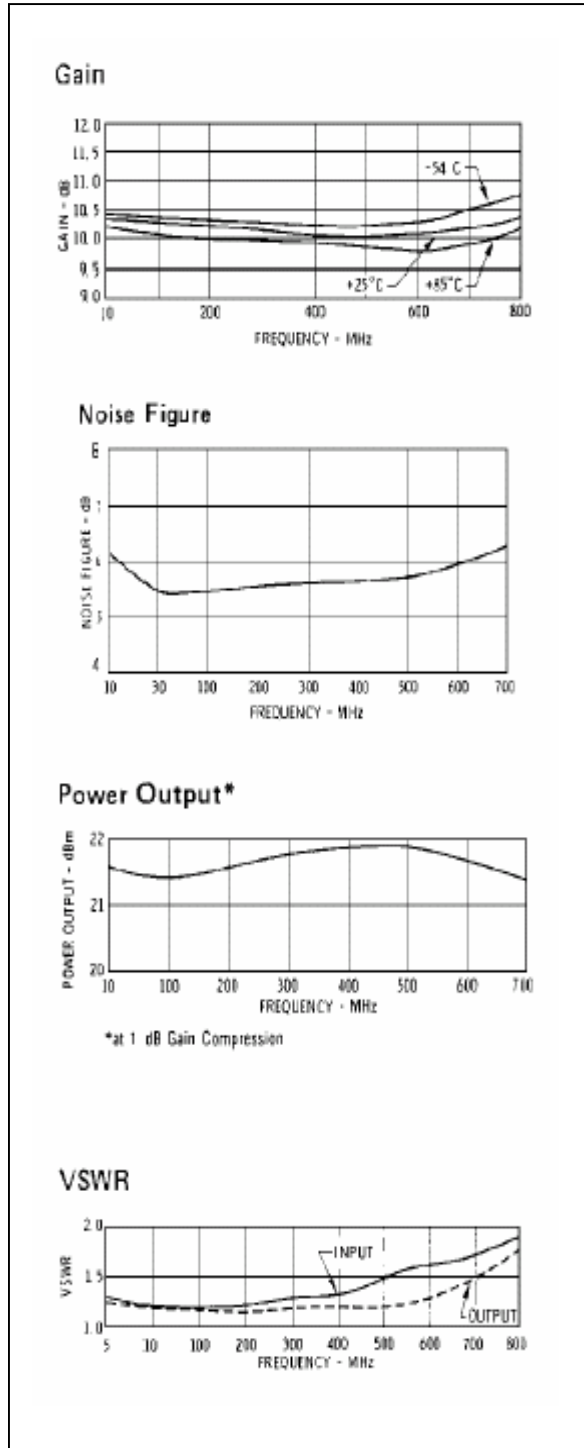
\* Over temperature performance limits for part number CA59-1, guaranteed from 0°C to +50°C only.

**Cascadable Amplifier  
10 to 700 MHz**

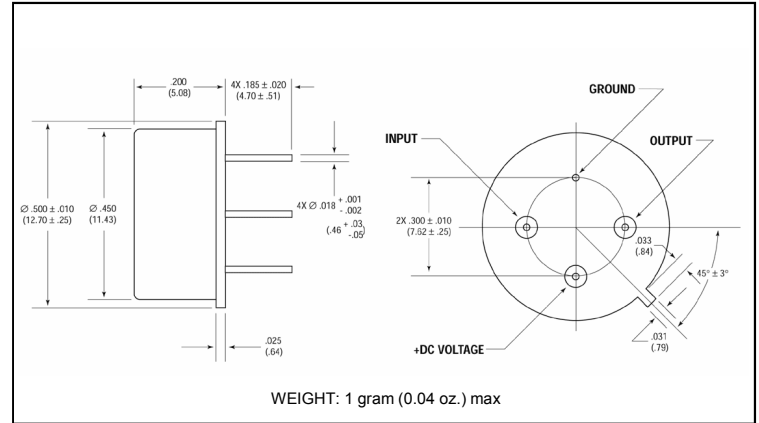
**A59-1/ SMA59-1**

V2

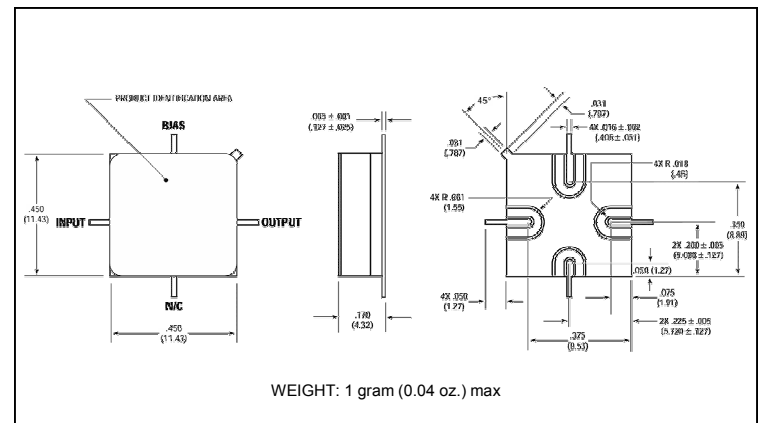
**Typical Performance Curves at +25°C**



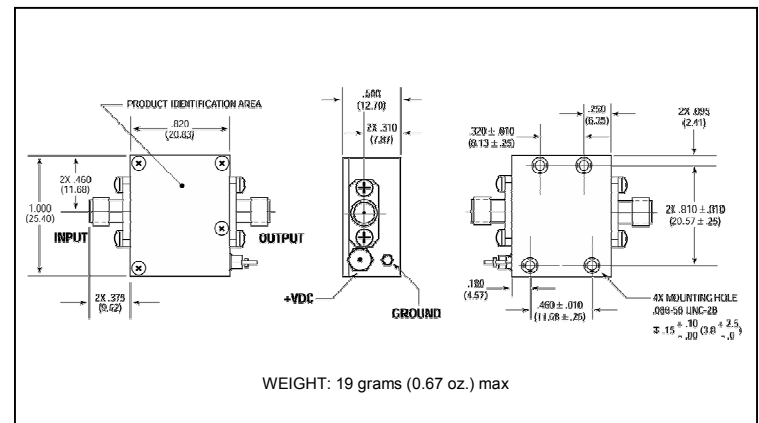
**Outline Drawing: TO-8 \***



**Outline Drawing: Surface Mount \***



**Outline Drawing: SMA Connectorized \***



\* Dimensions are inches (millimeters) ±0.015 (0.38) unless otherwise specified.