

Microwave Hybrid Junction
30 MHz - 3 GHz

H-183-4
V2

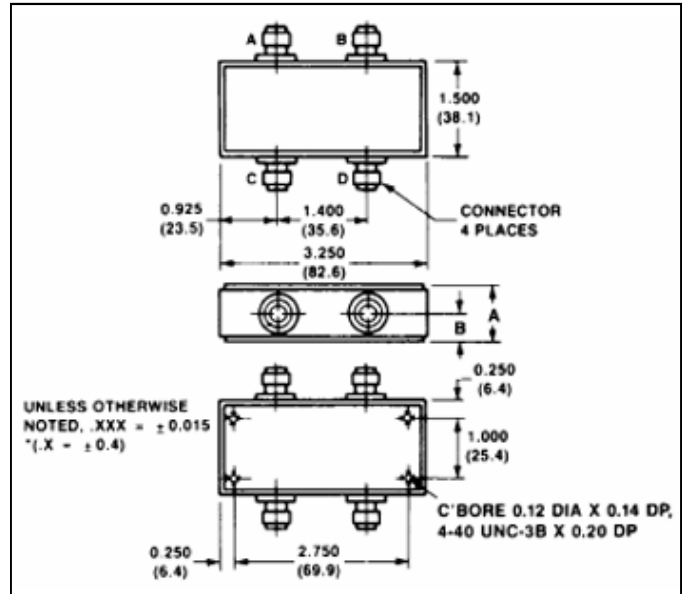
Features

- 0°-180° Hybrid
- Seven Octave Frequency Range

Guaranteed Specifications*
(From -55°C to +85°C)

Frequency Range		30-3000 MHz
Insertion Loss (Less Coupling)	30-100 MHz	1.2 dB Max
	100-1500 MHz	1.5 dB Max
	1500-3000 MHz	2.5 dB Max
Isolation	30-100 MHz	25 dB Max
	100-1500 MHz	20 dB Max
	1500-3000 MHz	20 dB Max
Amplitude Balance	30-3000 MHz	0.4 dB Max
VSWR	30-100 MHz	1.6:1
	100-1500 MHz	1.6:1
	1500-3000 MHz	2.5:1
Phase Unbalance	30-100 MHz	3° Max
	100-1500 MHz	7.5° Max
	1500-3000 MHz	15° Max

C-11



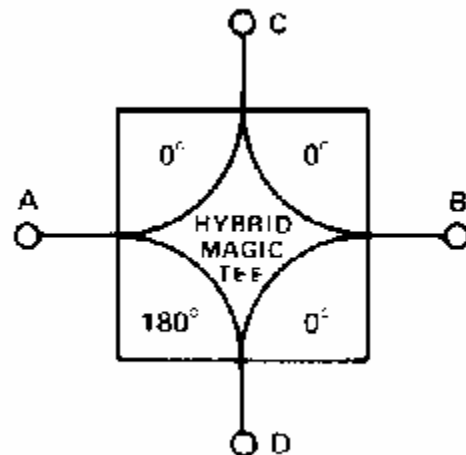
	A	B
H-183-4	1.207 ± 0.020 (30.6 ± 0.5)	0.592 ± 0.020 (15.03 ± 0.5)

Operating Characteristics

Impedance	50 Ohms Nominal
Input Power	5 Watts Max
Environmental MIL-STD-883 Screening available.	

All specification apply with 50 ohm source and load impedance.
This product contains elements protected by United States Patent
Number 3,508,171.

Functional Diagram



Ordering Information

Model No.	Package
H-183-4 SMA	Connectorized

Typical Performance

