

**Low Cost MMIC Mixer  
1400 - 2100 MHz**

**MAMXSS0013  
V2**

**Features**

- +12 dBm Input Power @ 1 dB Compression
- High Isolation, 28 dB LO to RF
- +3 to +8 dBm LO Drive Level
- DC - 500 MHz 3 dB IF Bandwidth
- Does not require DC bias
- Lead-Free SOT-25 Package
- 100% Matte Tin Plating over Copper
- Halogen-Free "Green" Mold Compound
- 260°C Reflow Compatible
- RoHS\* Compliant Version of MD54-0006

**Description**

M/A-COM's MAMXSS0013 is a passive mixer that achieves the performance of a double balanced diode mixer in a lead-free SOT-25 package. The MAMXSS0013 is ideally suited for use where high level RF signals and very wide dynamic range are required. Typical applications include frequency up/down conversion, modulation and demodulation in receivers and transmitters for base station and portable systems.

The MAMXSS0013 uses FETs as mixing elements to achieve very wide dynamic range in a low cost plastic package. The mixer operates with LO drive levels of +3 dBm to +8 dBm. The LO port may be externally tuned for operation in various frequency bands.

M/A-COM's MAMXSS0013 is fabricated using a mature 0.5 micron gate length GaAs MESFET process. The process features full passivation for increased performance and reliability. The MAMXSS0013 is 100% RF tested to ensure performance specification compliance.

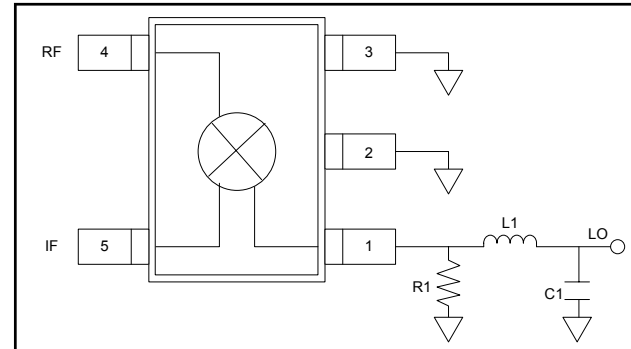
**Ordering Information<sup>1</sup>**

Part Number	Package
MAMXSS0013	Bulk Packaging
MAMXSS0013TR-3000	3000 piece reel
MAMX-000013-001SMB	1500 MHz Configuration
MAMX-000013-002SMB	1710 MHz Configuration
MAMX-000013-003SMB	2300 MHz Configuration

1. Reference Application Note M513 for reel size information.

\* Restrictions on Hazardous Substances, European Union Directive 2002/95/EC.

**Functional Block Diagram**



**Pin Configuration**

Pin No.	Pin Name	Description
1	LO Port	LO Input
2	Ground	Ground
3	Ground	Ground
4	RF Port	RF Input
5	IF Port	IF Output

**External Circuitry Parts List<sup>2,3</sup>**

LO Frequency			
Part	1500 MHz	1710 MHz	2300 MHz
R1	470 Ω	470 Ω	820 Ω
L1	6.8 nH	4.7 nH	2.7 nH
C1	3.3 pF	2.2 pF	2.2 pF

2. The external LO matching network allows tuning from 1400 MHz to 2300 MHz. The networks given above are intended to serve as guidelines for matching in different bands.
3. All off-chip components are low-cost surface mount components obtainable from multiple sources (0.060 in. x 0.030 in. or 0.080 in. x 0.050 in.).

**Low Cost MMIC Mixer  
1400 - 2100 MHz**

**MAMXSS0013  
V2**

**Electrical Specifications<sup>4</sup>:**

**RF = 1850 MHz (-10 dBm), LO = 1710 MHz (+5 dBm), IF = 140 MHz, T<sub>A</sub> = 25°C**

Parameter	Test Conditions	Units	Min.	Typ.	Max.
Conversion Loss		dB	—	8.0	9.0
Isolation	LO to RF	dB	—	28	—
	LO to IF	dB	—	15	—
	RF to IF	dB	—	15	—
VSWR	RF Port	Ratio	—	2.0:1	—
	LO Port <sup>3</sup>	Ratio	—	2.0:1	—
	IF Port	Ratio	—	2.0:1	—
Input 1 dB Compression	LO = +5 dBm, RF Freq: 1850 MHz	dBm	—	12	—
Two-Tone IM Ratio <sup>5</sup>	Two Tones at -10 dBm each, Tone spacing = 100 KHz, IF = 140 MHz	dBc	—	55	—

4. With external LO Port matching. See functional block diagram.

5. IMR vs. RF drive can be calculated by the formula: IMR = 40-1.5\*Pin.

**Absolute Maximum Ratings<sup>6,7</sup>**

Parameter	Absolute Maximum
RF Input Power	+27 dBm
LO Drive Power	+27 dBm
Operating Temperature	-40°C to +85°C
Storage Temperature	-65°C to +150°C

6. Exceeding any one or combination of these limits may cause permanent damage to this device.

7. M/A-COM does not recommend sustained operation near these survivability limits.

**Spurious Table**

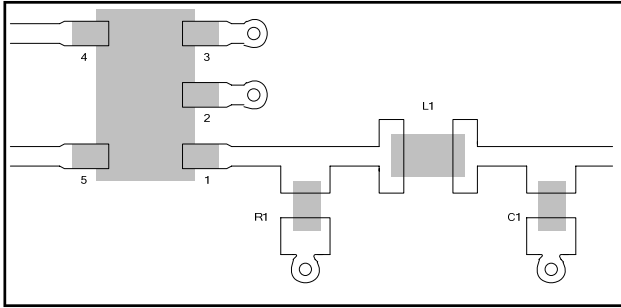
<b>Harmonic of LO</b>	<b>4x</b>	38.3	41.3	45.4	64.7	57.0
		27.3	39.9	52.5	77.1	78.7
	<b>3x</b>	21.4	30.1	69.0	43.0	68.3
		10.5	30.1	70.5	58.8	76.8
	<b>2x</b>	9.0	36.1	36.0	65.8	64.3
		-0.9	36.4	45.8	75.0	78.0
<b>1x</b>	1.9	0	44.8	56.1	65.0	
	-6.0	0	55.5	75.2	78.3	
<b>0x</b>	X	8.1	45.5	56.8	72.9	
	X	8.3	54.4	72.3	74.3	
	<b>0x</b>	<b>1x</b>	<b>2x</b>	<b>3x</b>	<b>4x</b>	
<b>Harmonic of RF</b>						

The spurious table shows the spurious signals resulting from the mixing of the RF and LO input signals, assuming down conversion. Mixing products are indicated relative to the IF. The lower frequency mixing term is shown for two different RF input levels. The top number is for an RF input power of 0 dBm, the lower number is for -10 dBm.

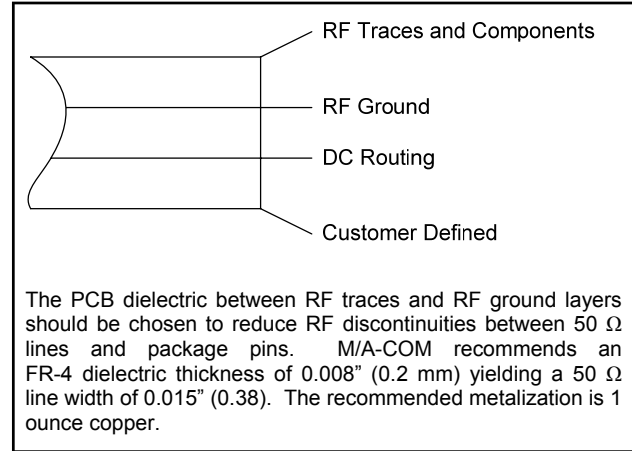
$|nF_{RF} - mF_{LO}|$ , RF = 0 dBm  
 $|nF_{RF} - mF_{LO}|$ , RF = -10 dBm  
 RF Frequency = 1850 MHz  
 LO Frequency = 1710 MHz

**Recommended PCB Configuration**

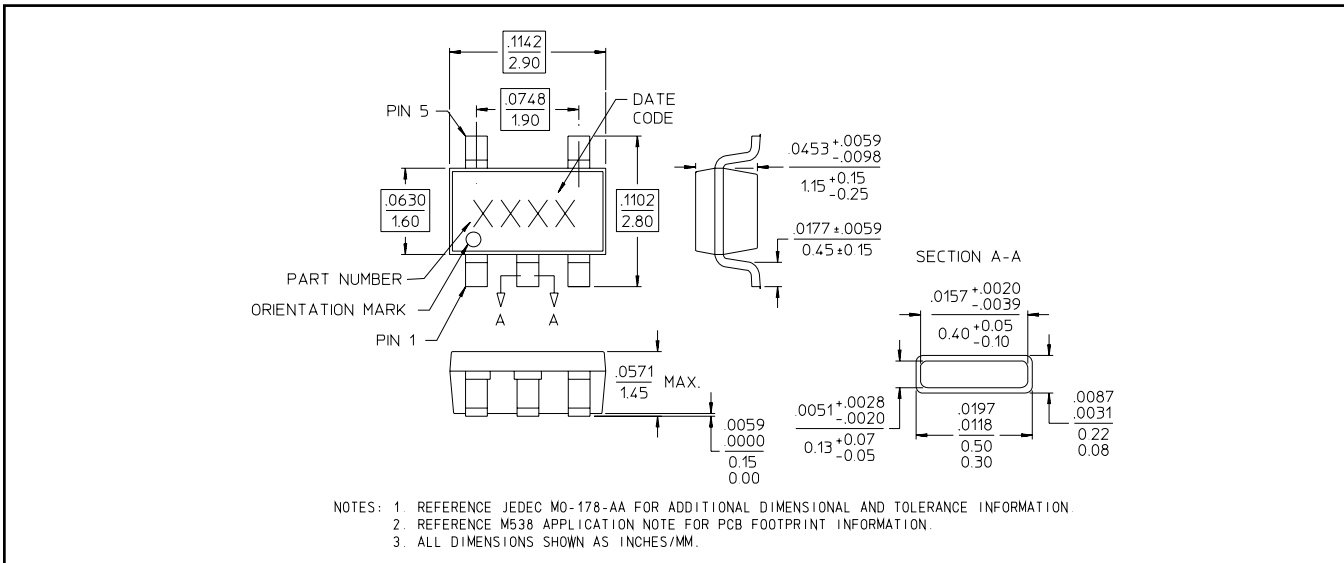
**Layout View**



**Cross Section View**



**Lead-Free SOT-25<sup>†</sup>**

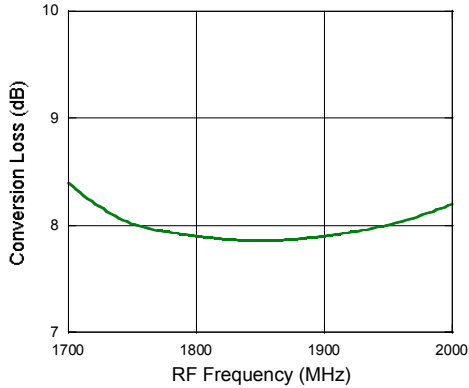


<sup>†</sup> Reference Application Note M538 for lead-free solder reflow recommendations.  
Meets JEDEC moisture sensitivity level 1 requirements.

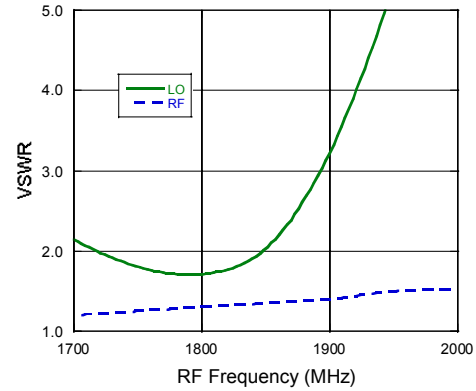
**Typical Performance Curves**

- **Test Conditions for Down Converter Application:** RF = 1850 MHz (-10 dBm), IF = 140 MHz, LO = 1710 MHz (+5 dBm).
- **Test Conditions for Up Converter Application:** LO = 1710 MHz (+5 dBm), IF = 140 MHz (-10 dBm), RF = 1850 MHz.

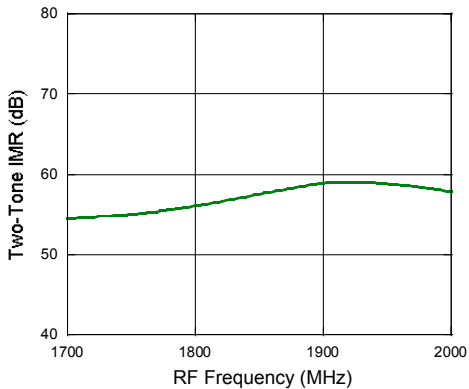
**Conversion Loss (Up/Down)**



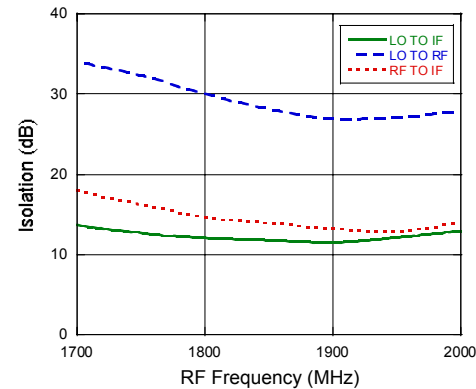
**VSWR**



**Two-Tone IMR**



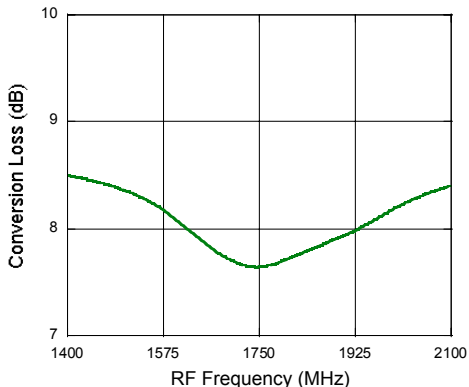
**Isolation**



**Wide-Band Performance Curves**

- **Test Conditions for Wide-Band Application:** RF = -10 dBm, IF = 140 MHz, LO = +11 dBm, LO Port resistively matched. Lower LO drive operation is available for narrow band performance using external reactive matching. The 3 dB IF bandwidth is 500 MHz. IF frequencies above 200 MHz can be optimized for low conversion loss by using external matching components.

**Conversion Loss**



**Two-Tone IMR**

