

**Cascadable Amplifier  
10 to 1000 MHz**

**LA17 / SMLA17**

V2

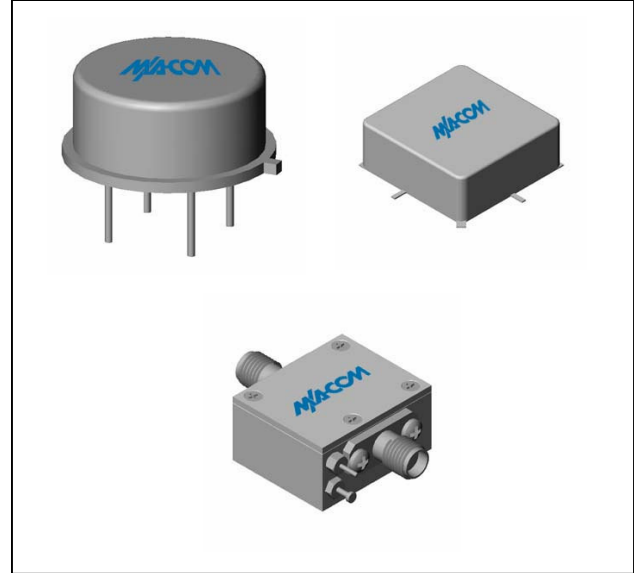
**Features**

- SYMMETRICAL CLIPPING:  
GOOD EVEN-ORDER SUPPRESSION
- MEDIUM OUTPUT LEVEL: +10 dBm (TYP.)
- HIGH THIRD-ORDER INTERCEPT POINT:  
+28 dBm (TYP.)
- FAST PULSE RECOVERY TIME: < 50 NSEC

**Description**

The LA17 limiting amplifier is a discrete hybrid design, which uses thin film manufacturing processes for accurate performance and high reliability. This design uses a Schottky diode limiter circuit at the input, and a single stage bipolar transistor feedback amplifier at the output. An RF choke is used for DC power supply decoupling. Both TO-8 and Surface Mount packages are hermetically sealed, and MIL-STD-883 environmental screening is available.

**Product Image**



**Ordering Information**

Part Number	Package
LA17	TO-8
SMLA17	Surface Mount
CLA17 **	SMA Connectorized

\*\* The connectorized version is not RoHS compliant.

**Electrical Specifications:  $Z_0 = 50\Omega$ ,  $V_{CC} = +15 V_{DC}$**

Parameter	Units	Typical	Guaranteed	
		25°C	0° to 50°C	-54° to +85°C*
Frequency	MHz	5-1100	10-1000	10-1000
Small Signal Gain (min)	dB	11.5	10.5	9.5
Gain Flatness (max)	dB	±0.3	±0.5	±0.7
Noise Figure (max)	dB	5.8	6.7	7.2
Power Output @ 1 dB comp. (min)	dBm	+10.0	+7.0	+5.0
Output Limiting Level (max) Pin = +20 dBm	dBm	+15.0	+16.0	+17.0
VSWR Input / Output (max)		<1.7:1/ <1.7:1	1.9:1 / 1.9:1	2.0:1 / 2.0:1
DC Current @ 15 Volts (max)	mA	55	57	59

**Absolute Maximum Ratings**

Parameter	Absolute Maximum
Storage Temperature	-62°C to +125°C
Case Temperature	+125°C
DC Voltage	+17 V
Continuous Input Power	+23 dBm
Short Term Input power (1 minute max.)	400 mW
Peak Power (3 µsec max.)	1 W
"S" Series Burn-In Temperature (case)	125°C

**Thermal Data:  $V_{CC} = +15 V_{DC}$**

Parameter	Rating
Thermal Resistance $\theta_{jc}$	45°C/W
Transistor Power Dissipation $P_d$	0.448 W
Junction Temperature Rise Above Case $T_{jc}$	20.2°C

\* Over temperature performance limits for part number CLA17, guaranteed from 0°C to +50°C only.

M/A-COM Inc. and its affiliates reserve the right to make changes to the product(s) or information contained herein without notice. M/A-COM makes no warranty, representation or guarantee regarding the suitability of its products for any particular purpose, nor does M/A-COM assume any liability whatsoever arising out of the use or application of any product(s) or information.

• **North America** Tel: 800.366.2266 / Fax: 978.366.2266  
 • **Europe** Tel: 44.1908.574.200 / Fax: 44.1908.574.300  
 • **Asia/Pacific** Tel: 81.44.844.8296 / Fax: 81.44.844.8298

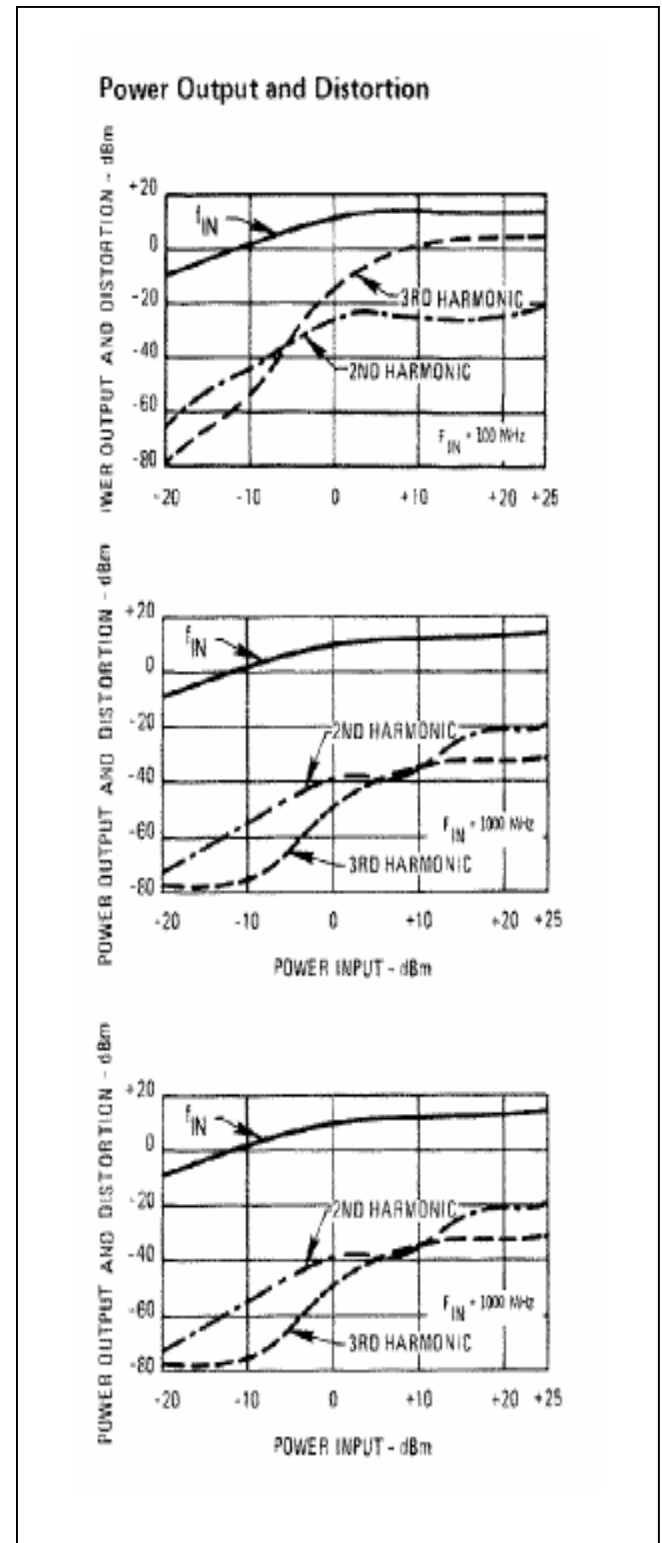
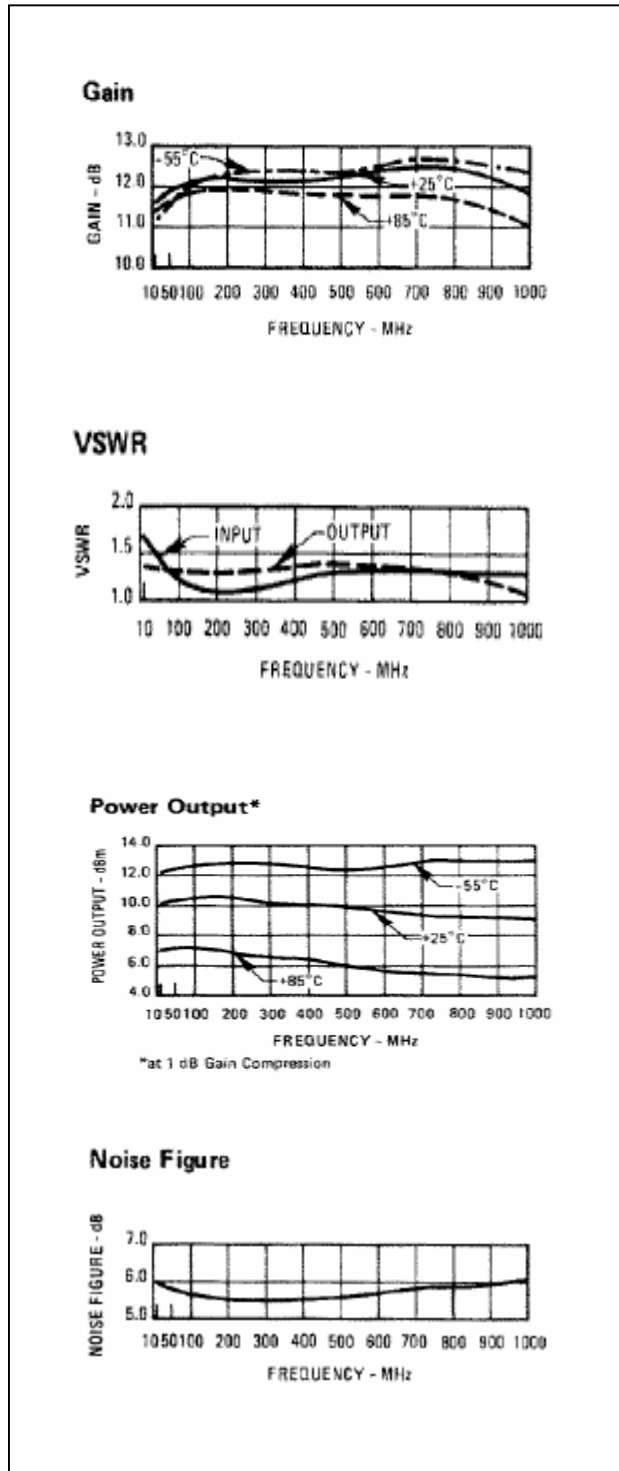
Visit [www.macom.com](http://www.macom.com) for additional data sheets and product information.

**Cascadable Amplifier  
10 to 1000 MHz**

**LA17 / SMLA17**

V2

**Typical Performance Curves at +25°C**

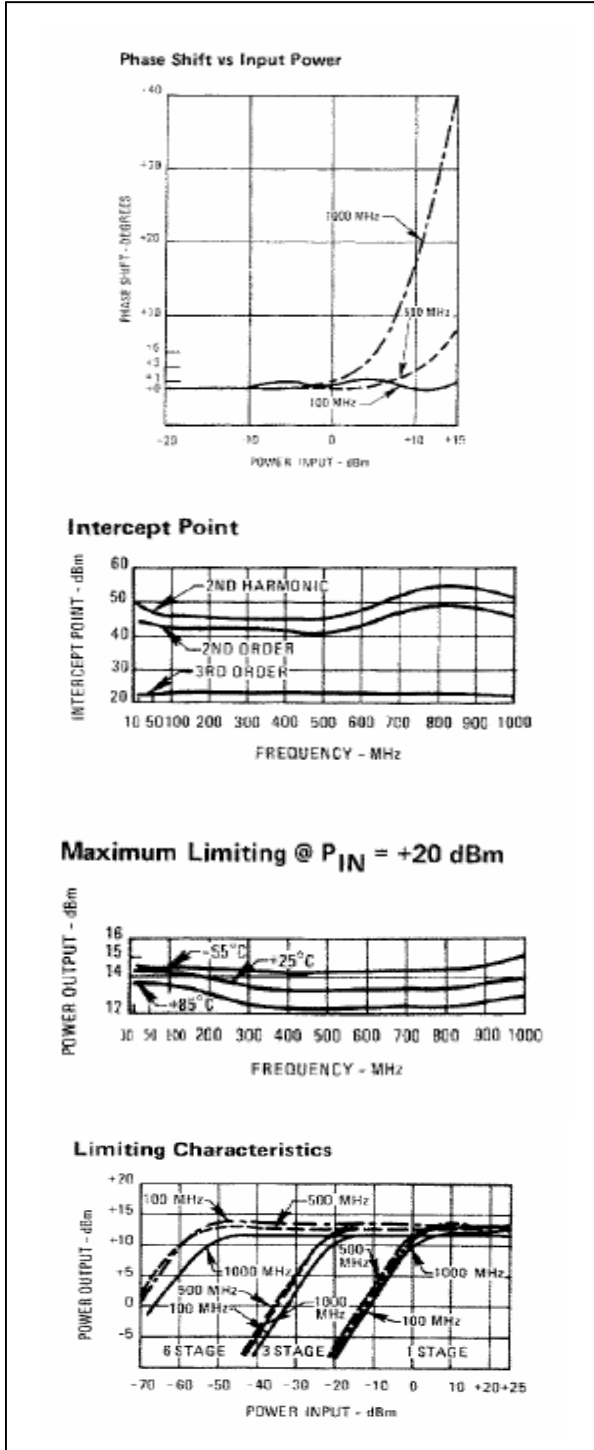


**Cascadable Amplifier  
10 to 1000 MHz**

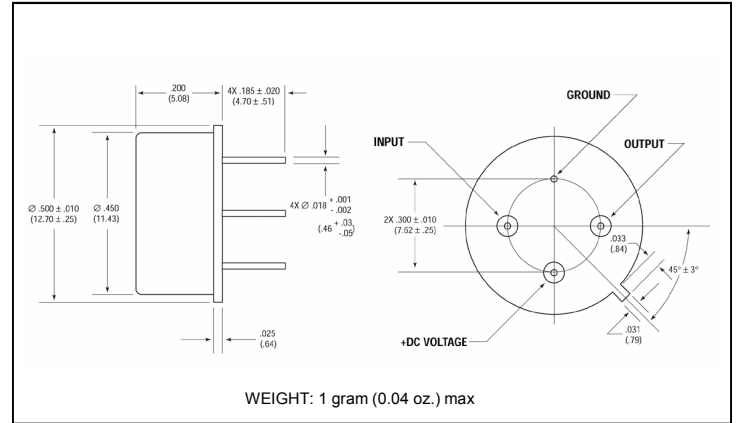
**LA17 / SMLA17**

V2

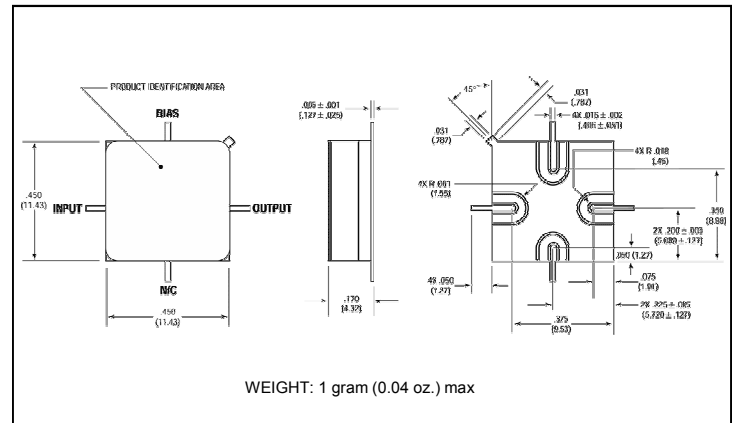
**Typical Performance Curves at +25°C**



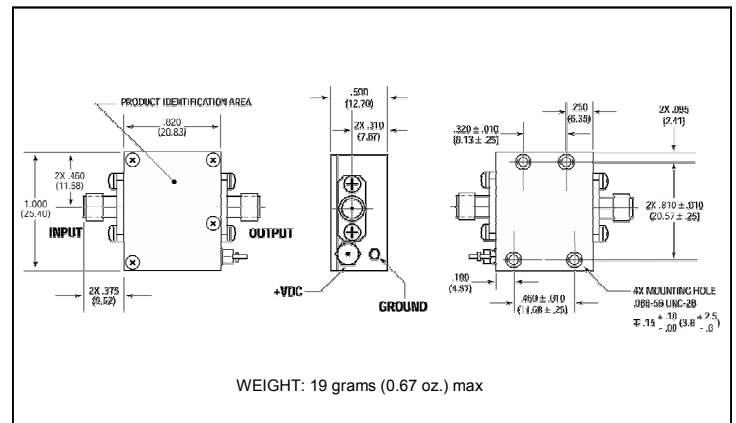
**Outline Drawing: TO-8 \***



**Outline Drawing: Surface Mount \***



**Outline Drawing: SMA Connectorized \***



\* Dimensions are inches (millimeters) ±0.015 (0.38) unless otherwise specified.