

E-Series Surface Mount Mixer

1 - 1000 MHz

ESMD-C1MH

V3.00

Features

- LO Power + 13 dBm
- Up to + 13 dBm RF
- Surface Mount

Specifications @25°C

Frequency Range		
RF		1 - 1000 MHz
LO		1 - 1000 MHz
IF		DC - 1000 MHz
Conversion Loss (dB)	Typical	Maximum
1 - 1000 MHz	6.5	9.5
Isolation (dB)	Typical	Minimum
LO to RF		
1 - 1000 MHz	45	25
LO to IF		
1 - 1000 MHz	30	15

Operating Characteristics

Impedance	50 Ohms Nominal
RF input for 1 dB Compression	+ 13 dBm

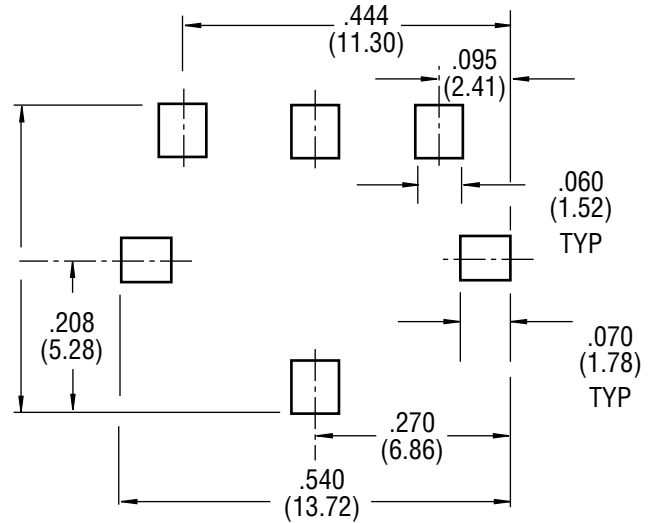
Ordering Information

Part No.	Packaging
ESMD-C1MH	Tube
ESMD-C1MHTR	Forward Tape & Reel

Absolute Maximum Ratings

Parameter	Absolute Maximum
RF Power	200 mW
Peak IF Current	40 mA
Storage Temperature	-55°C to 100°C
Operating Temperature	-55°C to 100°C
Pin Temperature (10 sec)	260°C

SM-2



Dimensions in () are in mm.
 Unless Otherwise Noted: .x = ±0.04 (1.00)
 .xx = ±0.02 (0.50)
 .xxx = ±0.010 (0.250)

Pin Configuration

Function	Pin No.
LO	2
RF	1
IF	3
Ground	4,5

S 0152 C

Specifications Subject to Change Without Notice.

M/A-COM, Inc.

1

North America: Tel. (800) 366-2266 ■ Asia/Pacific: Tel. +81 (03) 3226-1671 ■ Europe: Tel. +44 (1344) 869 595
 Fax (800) 618-8883 Fax +81 (03) 3226-1451 Fax +44 (1344) 300 020