

180° Two-Way Power Divider 5 - 1000 MHz

H-81-4

V2.00

Features

- Broadband Frequency Range
- Low Loss – Less Than 1.3 dB Max
- VSWR – 1.4:1 Max

Guaranteed Specifications*

(From -55°C to +85°C)

Frequency Range	5-1000 MHz	
Insertion Loss (Less coupling)	5-100 MHz	0.7 dB Max
	100-1000 MHz	1.4 dB Max
Isolation	5-100 MHz	20 dB Min
	100-1000 MHz	25 dB Min
Amplitude Balance	5-100 MHz	0.2 dB Max
	100-1000 MHz	0.5 dB Max
Phase Balance	5-100 MHz	5° Max
	100-1000 MHz	2.5° Max
VSWR (All Ports)	1.4:1 Max	

Operating Characteristics

Impedance	50 Ohms Nominal
Maximum Power Rating or Input Power	2.0 Watts Max
Internal Load Dissipation	0.5 Watt Max
Environmental	

* All specifications apply with 50 ohm source and load impedance.

Ordering Information

Part No.	Package
H-81-4 N	Connectorized
H-81-4 SMA	Connectorized
H-81-4 TNC	Connectorized
H-81-4 BNC	Connectorized

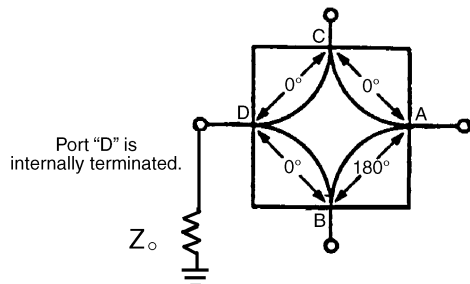
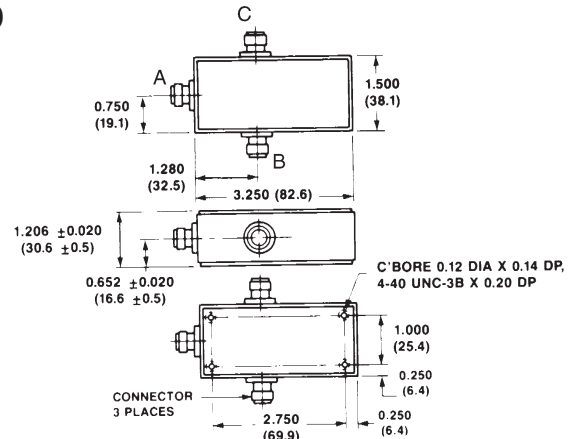


Figure 1. 2-way, In-Phase (180°) Power Divider/Summer, or ISO-T

C-19



Dimensions in () are in mm.

Unless Otherwise Noted: .xxx = ±0.015 (.xx = ±0.4)
WEIGHT (APPROX.): 5.47 OUNCES 155 GRAMS

Typical Performance

