

Wide Band GaAs MMIC Amplifier

0.2 - 3.0 GHz

MAAM02350

V 2.00

Features

- 19 dB Typical Gain¹
- +14 dBm Typical Output Power
- 3.7 dB Typical Noise Figure¹

Electrical Specifications @ T_A = +25°C

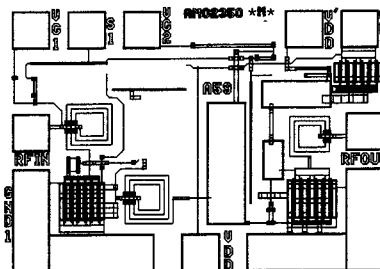
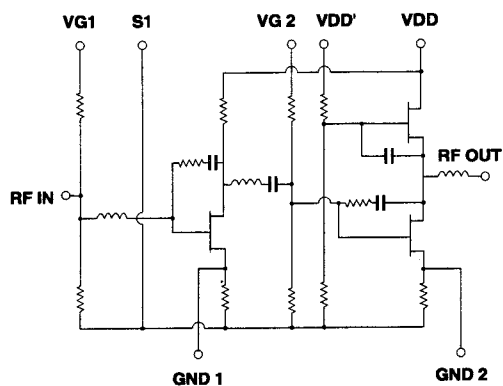
Frequency Range	0.2 – 3.0 GHz	
Gain ¹	19.0 dB Typ	17.0 dB Min
Gain Flatness	±0.5 dB Typ	
Noise Figure ¹	4.1 dB Max	3.7 dB Typ
VSWR ¹	Input	1.8:1 Typ
	Output	1.5:1 Typ
Output Power at 1 dB Gain Compression	+14 dBm Typ	
Third Order Intercept	+24 dBm Typ	
Reverse Isolation	+35 dB Typ	
Impedance	50 Ω Typ	
Bias Voltage	V _{dd} = +6 Vdc	
Bias Current	I _{dd} = 65mA Typ, 100mA Max	

Maximum Ratings

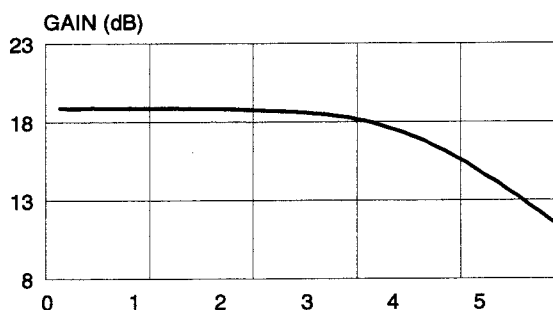
Voltage	+7 Volts
Input Power	+20 dBm
Storage Temperature	-65°C to +150°C
Operating Temperature	-55°C to +125°C

1. 100% on-wafer tested.

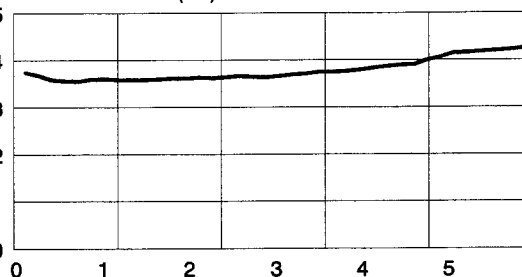
Schematic



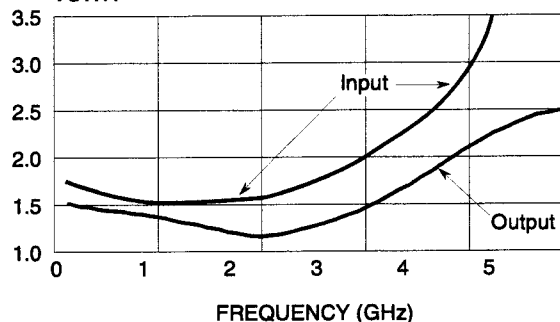
Typical Performance



NOISE FIGURE (dB)



VSWR



Specifications Subject to Change Without Notice.

11-22

M/A-COM, Inc.

North America: Tel. (800) 366-2266
Fax (800) 618-8883

Asia/Pacific: Tel. +81 (03) 3226-1671
Fax +81 (03) 3226-1451

Europe: Tel. +44 (1344) 869 595
Fax +44 (1344) 300 020

Handling

Permanent damage to the MAAM02350 may occur if the following precautions are not adhered to:

- Cleanliness** — The MAAM02350 should be handled in a clean environment. DO NOT attempt to clean assembly after the MAAM02350 is installed.
- Static Sensitivity** — All die handling equipment and personnel should comply with DOD-STD-1686 Class I.
- Transients** — Avoid instrument and power supply transients while bias is connected to the MAAM02350. Use shielded signal and bias cables to minimize inductive pick-up.
- General Handling** — DO NOT touch the surface of the die. It is recommended that the MAAM02350 die be handled along the long side with a sharp pair of tweezers.

Mounting

The MAAM02350 is back-metallized with Pd/Ni/Au(100/1,000/30,000Å) metallization. It can be die-mounted using Au/Sn eutectic preforms or epoxy. The attachment surface should be clean and flat.

Eutectic Die Attach:

- An 80/20 Au/Sn preform is recommended with a work surface temperature of approximately 255°C and a tool temperature of 265°C. When hot 95/5 nitrogen/hydrogen gas is applied, solder temperature should be approximately 290°C.
- DO NOT expose the MAAM02350 to a temperature greater than 320°C for more than 20 seconds. No more than 3 seconds of scrubbing should be required for attachment.

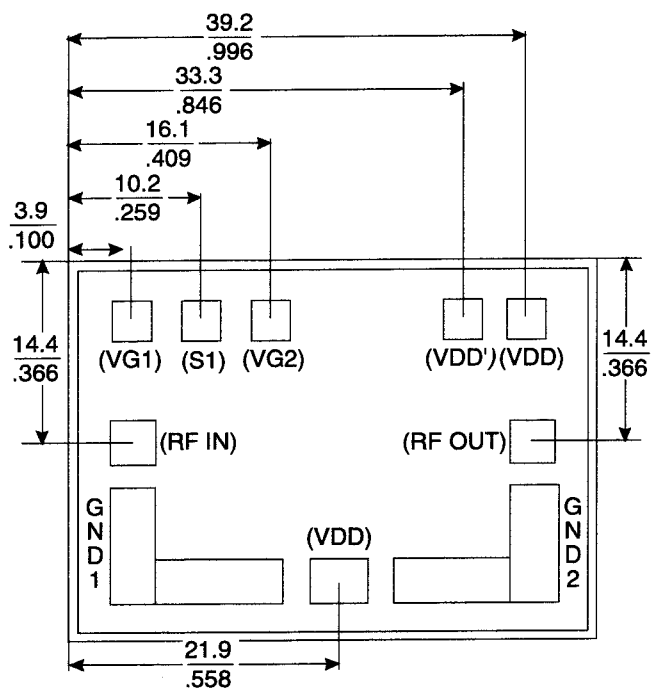
Epoxy Die Attach:

- Apply a minimum amount of epoxy and place the MAAM02350 into position. A thin epoxy fillet should be visible around the perimeter of the die.
- Cure epoxy per manufacturer's recommended schedule.

Bonding

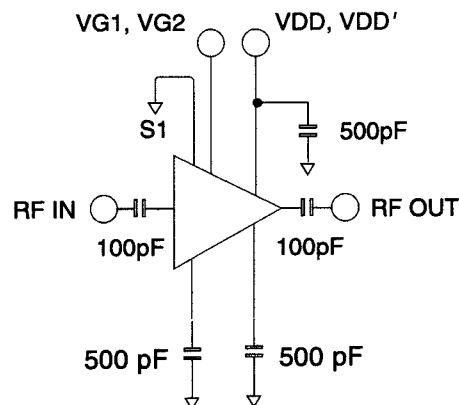
- Ball or wedge bond with 1.0 mil diameter gold wire or 3.0 mil x 0.5 mil ribbon. Thermosonic bonding with a nominal stage temperature of 150°C and a ball bonding force of 40 to 50 grams or wedge bonding force of 18 to 22 grams is recommended. Ultrasonic energy and time should be adjusted to the minimum levels necessary to achieve reliable bonds.
- Bonds should be started on the die and terminated on the package. RF bonds should be as short as possible; at least three and no more than four bond wires from ground pads to package are recommended.
- Bonding Pads are 4.0 x 4.0 mils.

Outline



0.044 in. x 0.032 in. x 0.004 in. All dimensions are $\frac{\text{mils}}{\text{mm}}$.

Typical Bias Configuration



- Self-bias operation is obtained by connecting +6 volts to both VDD and VDD' pads, grounding pad S1, and connecting pads GND1 and GND2 to separate bypass 500pF MOS capacitors.

Specifications Subject to Change Without Notice.

M/A-COM, Inc.

11-23

North America: Tel. (800) 366-2266
Fax (800) 618-8883

Asia/Pacific: Tel. +81 (03) 3226-1671
Fax +81 (03) 3226-1451

Europe: Tel. +44 (1344) 869 595
Fax +44 (1344) 300 020