

Faston Power Relay 410 83 3 mm

1 pole 16 A, 3 mm contact gap



F0248-AB

Features

- 1 N/O bridging contact
- Contact gap > 3 mm
- 16 A rated current
- Switching capacity 4000 VA
- Coil power 360 mW
- 4 kV / 8 mm coil-contact, insulation to VDE 0631 and 0700
- Ambient temperature up to 85°C
- Faston-terminals for load side

Applications

Washing machines, tumble dryers, absolute safe power supply disconnection in other domestic applications



Technical data of approved types on request

Contact data

Configuration	1 N/O contact
Type of contact	single contact, bridging contact
Rated current	16 A
Rated voltage / max. breaking voltage AC	250 Vac / 400 Vac
Maximum breaking capacity AC	4000 VA
Make current (max. 4 s at duty cycle 10%)	20 A
Contact material	AgNi
Contact gap	>3 mm

Contact ratings

Type	Load	Operations
410 83	16 A, 250 Vac, resistive, 85 °C	3x10 ⁴
410 83	10 A, 250 Vac, resistive, 85 °C	1x10 ⁵
410 83	10 A, 400 Vac, resistive, 85 °C	1x10 ⁵

Coil data

Nominal voltage	6...60 Vdc
Nominal coil power	360 mW
Operate category	1 / c

Coil versions

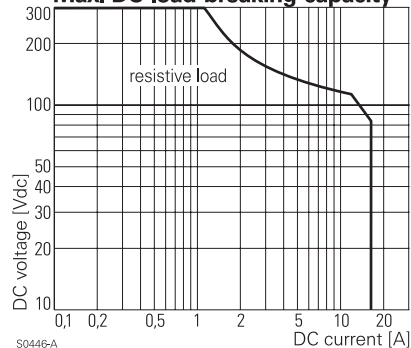
Coil code	Nominal voltage Vdc	Pull-in voltage Vdc	Release voltage Vdc	Maximum voltage Vdc	Coil resistance Ω	Coil current mA
054	6	3.9	0.45	13.2	100±10%	60.0
050	12	7.9	0.9	26.4	400±10%	30.0
046	24	15.8	1.8	53.0	1600±10%	15.0
043	48	31.6	3.6	106.0	6400±10%	7.5
042	60	39.5	4.5	132.0	10000±10%	3.7

All figures are given for coil without preenergization, at ambient temperature +20°C
Other coil voltages on request

Insulation

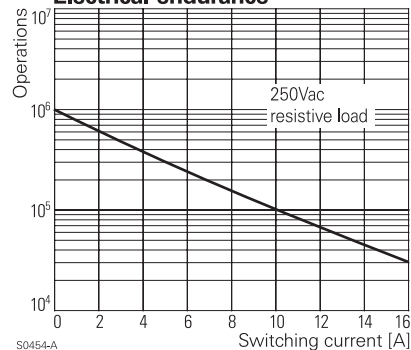
Dielectric strength	coil-contacts	4000 V _{rms}
	open contact circuit	2000 V _{rms}
Clearance / creepage		8 / 8 mm
Insulation to IEC 60664		
Voltage rating		250 V
Pollution degree		3
Overvoltage category		III
Insulation to VDE 0110b (2/79)		
Insulation category / reference voltage		C / 250
Tracking resistance of relay base		PTI 250

Max. DC load breaking capacity



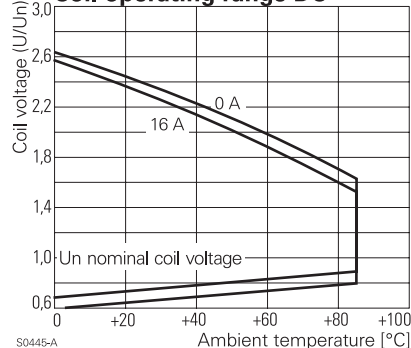
S0446-A

Electrical endurance



S0454-A

Coil operating range DC



S0445-A

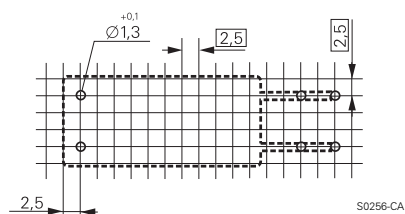
Faston Power Relay 410 83 3 mm

1 pole 16 A, 3 mm contact gap

Other data	
Flammability class according to UL 94	V-0
Ambient temperature	-20...+85 °C
Mechanical life	1x10 ⁷ operations
Max. switching rate at rated- / minimum load	10 min ⁻¹ / 600 min ⁻¹
Operate- / release time	typ. 14 / 5 ms
Bounce time	typ. 3 ms
Vibration resistance	10 g, 10...500 Hz
Shock resistance (destruction)	100 g
Category of protection (IEC 61810)	RT II - flux proof
Relay weight	24 g
Packaging unit	20 / 75 / 1050 pcs.

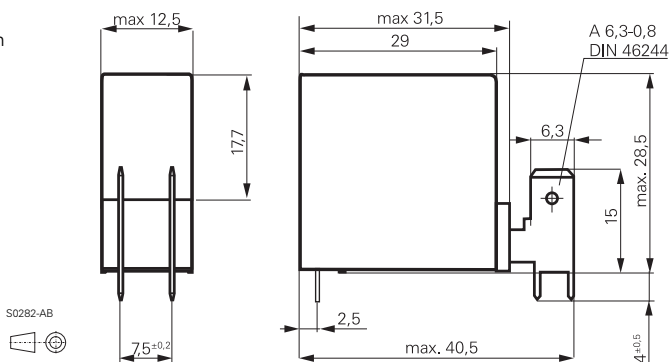
PCB layout / terminal assignment

View on solder pins
Dimensions in mm

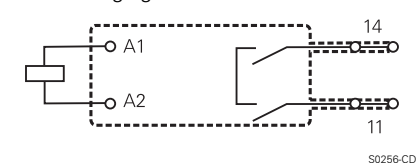


Dimensions

Dimensions in mm



1 N/O bridging contact



Product key

0 4 1 0 **8 3** **0 0 1**

Type

Coil

Coil code: Please refer to coil versions table, preferred types in bold print

Version

001 1 N/O contact

Other types on request

Product key	Version	Cont-material	Cont.configuration	Coil	Part number
0410 83 050 001	standard	AgNi	1 N/O contact	12Vdc	4-1415410-9
0410 83 046 001	PCB/Faston			24Vdc	4-1415410-8