



KRPA, KRP, KA, KR series

5 to 10 Amp General Purpose Relay

File E29244, E22575, E81558 (KR Hermetic)
File LR15734

Features

- Industry standard octal-type termination for quick installation.
- Contact arrangements from 1 Form C (SPDT) to 3 Form C (3PDT).
- Indicator lamp and push-to-test options available on certain models.
- The KRPA is the automated manufactured version of the KRP.
- Hermetically sealed option available with KR UL recognized for Class I Div. 2 Hazardous locations, Groups A, B, C, D.

Contact Data @ 25°C

Arrangements: See Ordering Information Table.

Materials: Silver or silver-cadmium oxide, with or without gold flashing.

Expected Life: 10 million operations min., mechanical; 100,000 operations min. @ rated loads.

KA, KRP, KRPA UL/CSA Contact Ratings @ 25°C (Except KR)

Contact Code	Arrangement	Contact Rating
Y (Silver)	1, 2, 3 Poles	5A @ 120VAC 3A @ 240VAC 1/10HP @ 120VAC 1/6HP @ 240VAC
G&N (Silver-Cad. Oxide)	1, 2, 3 Poles	10A @ 240VAC 1/2 HP @ 240VAC 1/3HP @ 120VAC

KR-E (Herm. Sealed) UL Contact Ratings @ 25°C Class I, Div. 2, Hazardous Loc.

Contact Code	Arrangement	Contact Rating
Y (Silver)	1, 2, 3 Poles	5A @ 120VAC 3A @ 240VAC 1/10HP @ 120VAC 1/6HP @ 240VAC
G&N (Silver-Cad. Oxide)	1, 2, 3 Poles	10A @ 240VAC 1/6 HP @ 120VAC

KR-E (Herm. Sealed) UL Contact Ratings @ 25°C UL 508 Industrial Control

Contact Code	Arrangement	Contact Rating
Y, G (Silver)	1, 2, 3 Poles	3A @ 120VAC 3A @ 28VDC 1/10HP @ 120VAC

KRP, KRPA Factory Ratings

Contact Code	Arrangement	Contact Rating
Y	1, 2, 3 Poles	5A @ 28VDC, 120VAC, 80% PF
G&N	1, 2, 3 Poles	10A @ 28VDC, 120VAC, 80% PF 6A @ 250VAC

KA UL Contact Ratings

Contact Code	Series	Contact Ratings
Y	KA ¹	5A @ 120VAC, 3A @ 240VAC, 1/10 HP @ 120VAC, 1/6 HP @ 240VAC
G	KA ²	10A @ 120VAC, 6A @ 240VAC 1/6 HP @ 120VAC, 1/3 HP @ 240VAC

¹Listed by C.S.A. for 5A @ 120VAC 80% PF

²Listed by C.S.A. for 10A @ 120VAC 80% PF

Note: See KRPA, KRP, KA, KR-E Ordering Information table on page 106.

Initial Dielectric Strength

Between Open Contacts: 500V rms.

Between All Elements: 1,500V rms.

Coil Data @ 25°C

		Nominal Power	Maximum Power
KRP	AC	2VA	Enclosed Models - 4VA
KRPA	DC	1.2W	Enclosed Models - 3W
KA	AC	2VA	Open Models - 4VA
	DC	125mW per movable arm	Open Models - 4W

Duty Cycle: Continuous.

Initial Insulation Resistance: KRP, KRPA - 1000 Megohms, min.
KA - 100 Megohms, min.

Coil Data @ 25°C

	Nominal Voltage	DC Resistance (Ω) ±10%	Nominal Coil Current (mA)
DC Coils	6	32	188
	12	120	100
	24	472	51
	48	1,800	26.6
	110	10,000	11.5
	220	Use 110V relay with 10,000 Ω 5W Resistor in series	
AC Coils	6	6	335
	12	24	168
	24	85	84
	120	2,250	17.5
	240	9,110	8.75

Operate Data @ 25°C

Must-Operate Voltage:

DC: 75% or less of nominal voltage.

AC: 85% or less of nominal voltage.

Operate Time (Excluding Bounce):

15 milliseconds typical @ nominal voltage.

Release Time (Excluding Bounce):

10 milliseconds typical @ nominal voltage.

Environmental Data

Temperature Range:

Open Models: AC: -45°C to +70°C.

DC: -45°C to +85°C.

Enclosed Models: AC: -45°C to +55°C.

DC: -45°C to +70°C.

Mechanical Data

Open Models: Solder terminals.

Enclosed Models: Octal-type plug.

Enclosures: Transparent polycarbonate (except KR).

Hermetically sealed metal case available with KR only.

Weight: KA: 1.7 oz. (48.2g) approximately.

KRPA, KRP: 3.0 oz. (85g) approximately.

Ordering Information

Typical Part No. ▶

KRPA

-5

A

Y

-120

1. Series:

KRPA (Newer version, enclosed)
 KRP (Older version, enclosed)
 KR (Hermetically sealed option 'E' only)
 KA (Open style)

2. Contact Arrangement:

5 = 1 Form C (SPDT)
 11 = 2 Form C (DPDT)
 14 = 3 Form C (3PDT)

3. Coil Input:

A = AC, 50/60 Hz.
 D = DC

4. Contact Rating and Indicator Lamp Option:

TYPE	KRPA	KRP	KR	KA
Codes Available	Y, G, N,	Y, G, N,	Y, G,	Y, G,

Leave Blank = Silver, no indicator lamp for hermetically sealed KR (option E below).
 Y = Silver, no indicator lamp
 G = Silver-cadmium oxide, no indicator lamp
 N = Silver-cadmium oxide, with indicator lamp*

5. Options:

Leave Blank = No options (except KR).
 E = Hermetically Sealed Option (KR only).

6. Coil Voltage:

Up to 240VAC
 Up to 125VDC

*Indicator Lamp not available on 25-90V coils. Only 120-240VAC and 110VDC models are UL recognized and CSA certified.

Stock Items – The following items are normally maintained in stock for immediate delivery.

KA-5AG-120	KR-11DGE-24	KRP-14AN-120	KRPA-11AN-24	KRPA-14AG-120
KA-5AY-120	KR-14AGE-120	KRP-14AY-120	KRPA-11AN-120	KRPA-14AG-240
KA-5DG-6	KR-14DGE-24	KRP-14DG-12	KRPA-11AN-240	KRPA-14AN-24
KA-5DG-12	KRP-5AG-120	KRP-14DG-24	KRPA-11AY-6	KRPA-14AN-120
KA-5DG-110	KRP-11AG-24	KRP-14DG-110	KRPA-11AY-12	KRPA-14AN-240
KA-11AG-120	KRP-11AG-120	KRP-14DN-24	KRPA-11AY-24	KRPA-14AY-24
KA-11AY-6	KRP-11AG-240	KRPA-5AG-24	KRPA-11AY-120	KRPA-14AY-120
KA-11AY-24	KRP-11AN-24	KRPA-5AG-120	KRPA-11AY-240	KRPA-14AY-240
KA-11AY-120	KRP-11AN-120	KRPA-5AY-120	KRPA-11DG-6	KRPA-14DG-12
KA-11DG-12	KRP-11AY-120	KRPA-5DG-6	KRPA-11DG-12	KRPA-14DG-24
KA-11DG-24	KRP-11DG-12	KRPA-5DG-12	KRPA-11DG-24	KRPA-14DG-48
KA-11DG-110	KRP-11DG-24	KRPA-5DG-24	KRPA-11DG-48	KRPA-14DG-110
KA-14AG-120	KRP-11DG-48	KRPA-5DY-12	KRPA-11DG-110	KRPA-14DN-24
KA-14AY-120	KRP-11DG-110	KRPA-5DY-24	KRPA-11DN-12	KRPA-14DY-24
KA-14DG-24	KRP-11DG-125	KRPA-11AG-6	KRPA-11DN-24	
KA-14DG-110	KRP-11DN-12	KRPA-11AG-12	KRPA-11DN-110	
KR-11AE-120	KRP-11DN-24	KRPA-11AG-24	KRPA-11DY-12	
KR-11AGE-120	KRP-11DY-24	KRPA-11AG-120	KRPA-11DY-24	
KR-11DE-24	KRP-14AG-120	KRPA-11AG-240	KRPA-14AG-12	
KR-11DGE-12	KRP-14AG-240	KRPA-11AN-12	KRPA-14AG-24	



KRP-3-H

KRP-3-H series

20 Amp
Small AC or DC Relays

File E22575

Features

- 1 Form X (SPST - NO - DM) contact rating of 20A.
- Heavy copper alloy movable contact arms.
- Twin silver-cadmium oxide contacts.
- Many uses in automation controls and other applications requiring high current switching.

Contact Data @ 25°C

Arrangement: 1 Form X (SPST - NO - DM).
Ratings: UL Rating: 20A @ 120VAC, 3/4 HP @ 120VAC.
Factory Rating: 20A @ 120VAC, 80% PF; 1 HP @ 120/240VAC.
Material: Twin, silver-cadmium oxide.
Expected Life: 2.5 million operations min., mechanical. 100,000 operations at rated contact load.

Initial Dielectric Strength

Between Open Contacts: 500V rms, 60 Hz. between all elements.

Coil Data @ 25°C

See chart on page 105.
Nominal Power: DC Coils: 1.2W
AC Coils: 2.0VA
Initial Insulation Resistance: 1,000 megohms.

Operate Data @ 25°C

Must-Operate Voltage: DC: 75% of nominal voltage.
AC: 85% of nominal voltage.
Operate Time: 15 milliseconds approximate (Excluding Bounce).
Release Time: 10 milliseconds approximate (Excluding Bounce).

Environmental Data

Temperature Range: Enclosed Models: AC: -45°C to +55°C.
DC: -45°C to +70°C.

Mechanical Data

Mounting: Socket mounting.
Termination: Octal-type plug.
Enclosure: Polycarbonate enclosure with octal-type mounting.
Weight: 2 oz. (57g) approximately.

Ordering Information

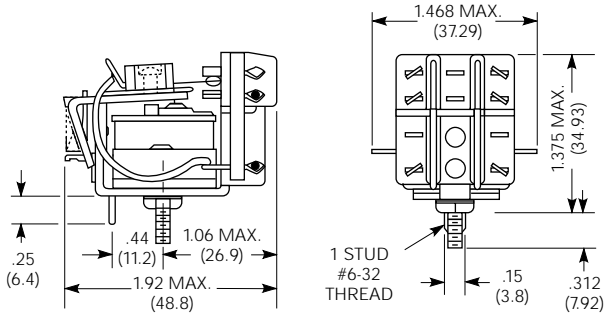
Typical Part No. ▶	KR	P	-3	D	H	-12
1. Basic Series: KR						
2. Type: P = Enclosed (20 amp models available only with Contact Arrangement 3 and Material H.)						
3. Contact Arrangement: 3 = 1 Form X (SPST - NO - DM)						
4. Coil Input: A = AC D = DC						
5. Contact Material & Rating: H = Silver-cadmium oxide, 1/4" (6.35mm) dia., 20 amps.						
6. Coil Voltage: To 240VAC, 50/60 Hz. or 110VDC.						

Stock Items

- KRP-3AH-120
- KRP-3DH-24
- KRP-5AG-120

Outline Dimensions

KA Series

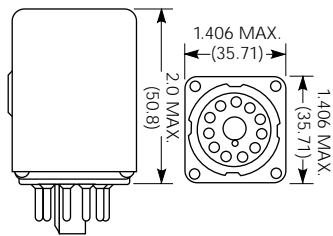


Tolerances on .XX Decimals ± .02 (± .5) Unless Otherwise Specified
 Tolerances on .XXX Decimals ± .005 (± .13) Unless Otherwise Specified

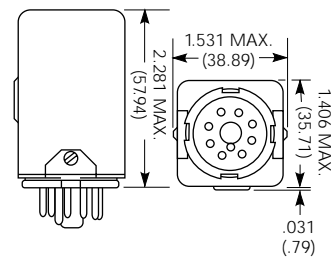
KR Series Enclosures

Type "P" Clear Dust Cover

For KRPA and KRP



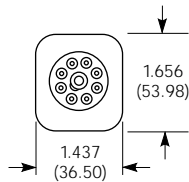
For KRP3-H



Hermetically Sealed Enclosure (KR only)



Octal Plug



Height: 2.125" (53.98mm) max.

Hold-Down Spring

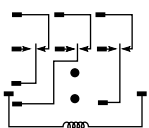
20C176 KRPA & KRP
 20C206 KAP and KRP3



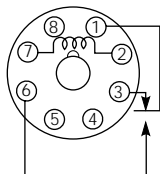
Durable stainless steel spring can be moved aside for relay removal or installation. Mounts with same machine screws or rivets that secure socket to chassis. Two .156" (3.96mm) dia. holes required.

Wiring Diagrams (Bottom Views)

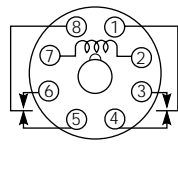
KA



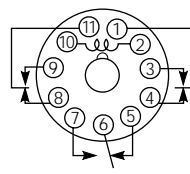
KR5
 KAP5
 KRP5
 KRPA5



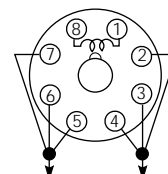
KR11
 KAP11
 KRP11
 KRPA11



KR14*
 KAP14
 KRP14
 KRPA14



KRP3AH



* The hermetically sealed KR14 has pins 5 and 6 reversed.

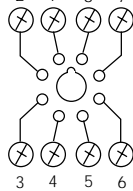
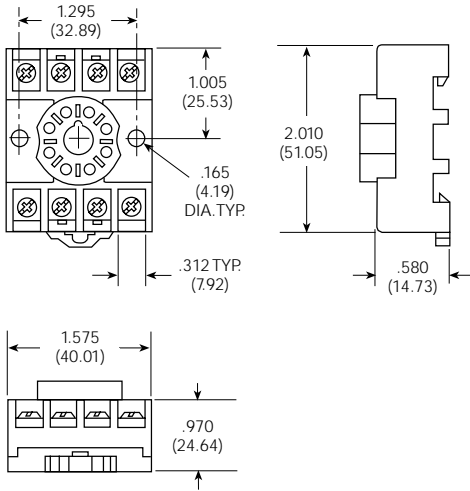
Sockets For KRP, KRPA Series Relays

The following sockets are normally maintained in stock for immediate delivery.

**Screw Terminal, DIN Rail Snap-Mount Sockets
(Use with mounting track 24A110)**

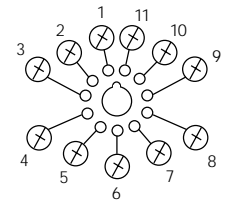
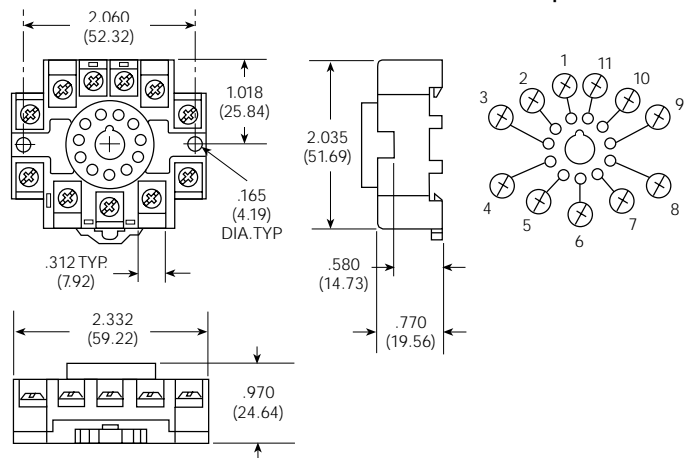
**27E891
10A, 300VAC**

**Terminal Location
Top View**



**27E892
10A, 300VAC**

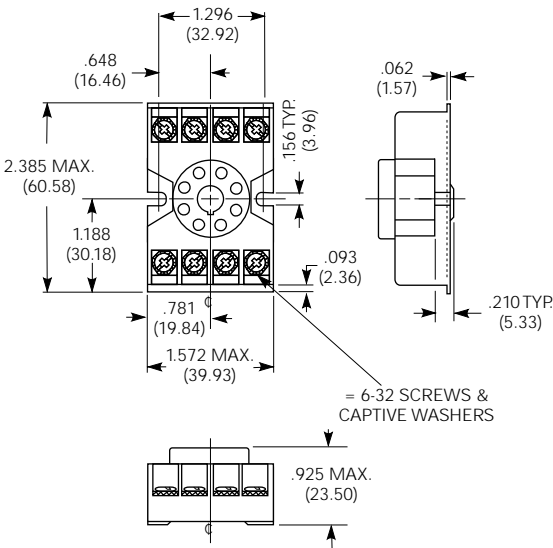
**Terminal Location
Top View**



Sockets have M3.5 screw terminals which accept up to two #12 AWG wires. Rated 10 amps @ 300VAC and meets UL 94V-0.

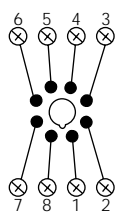
Screw Terminal Sockets

**27E122
10A, 300VAC
8-pin**

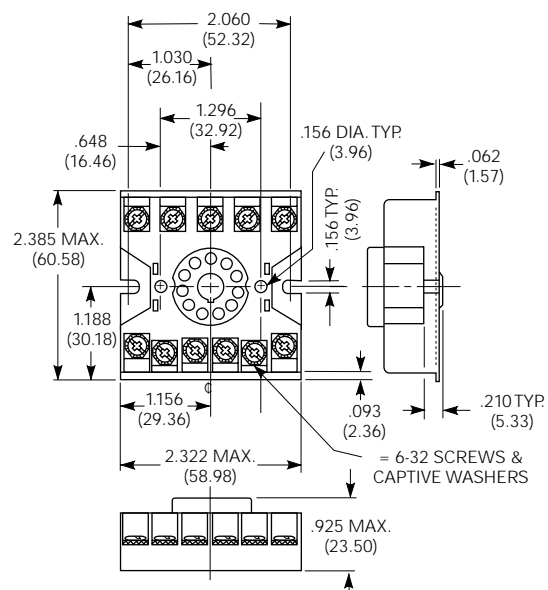


= 6-32 SCREWS & CAPTIVE WASHERS

Terminal Location



**27E123
10A, 300VAC
11-pin**



= 6-32 SCREWS & CAPTIVE WASHERS

Terminal Location

