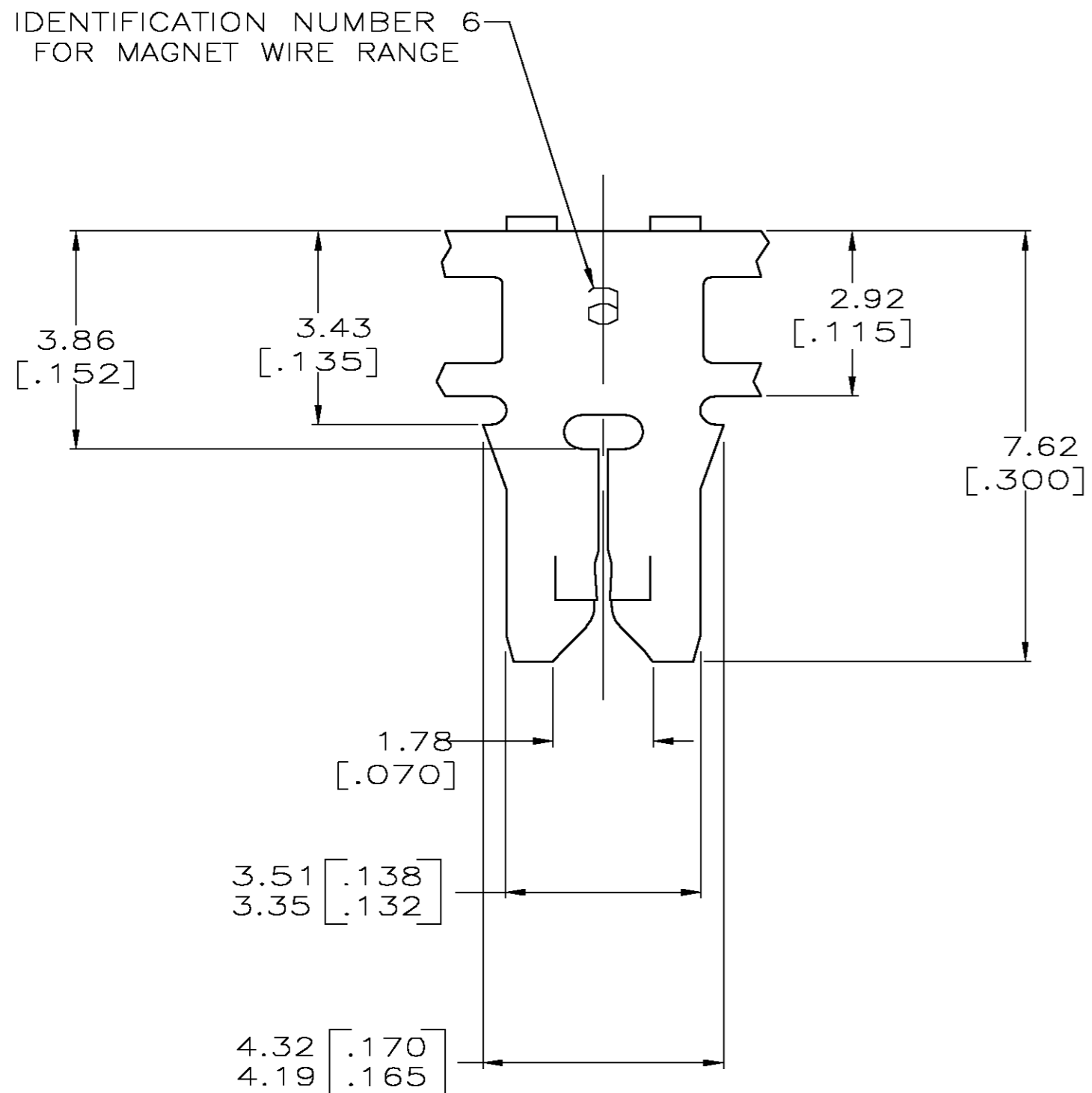
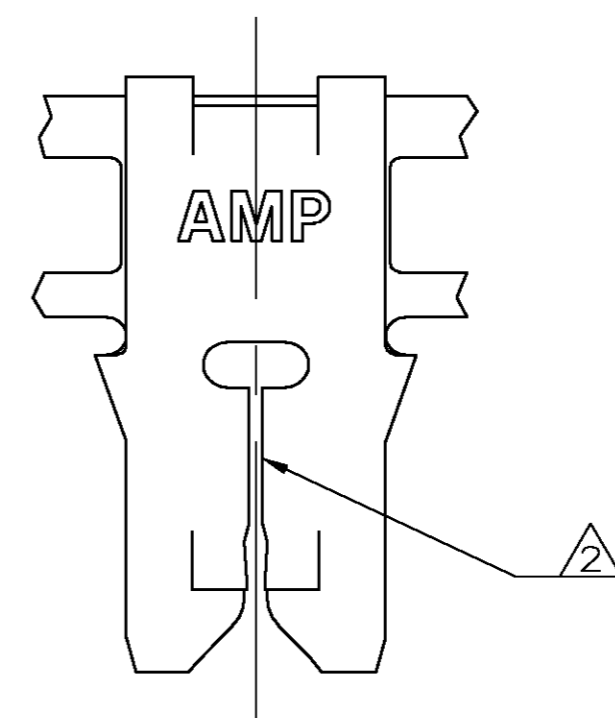
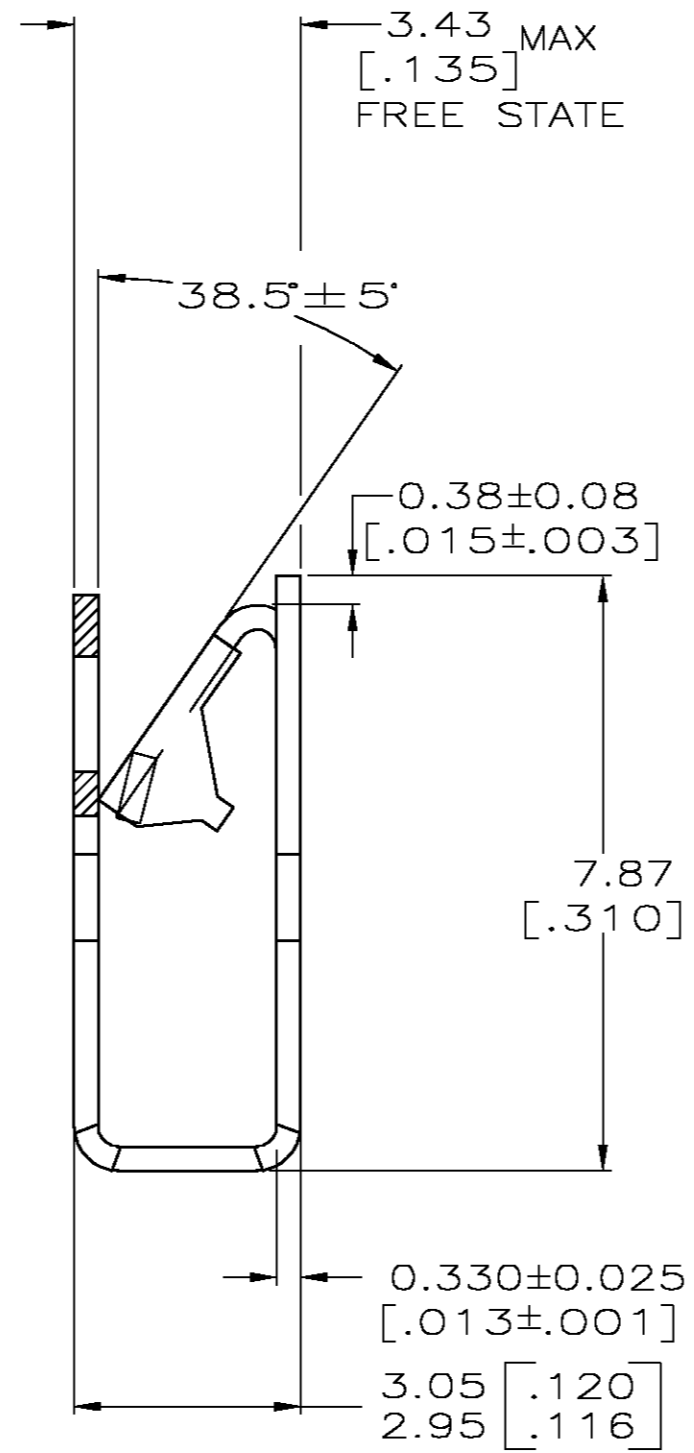
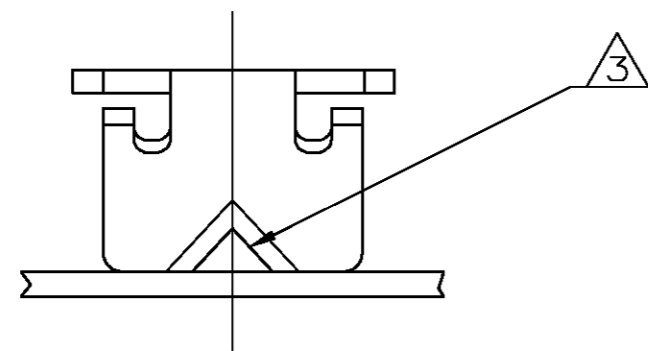


THIS DRAWING IS UNPUBLISHED. RELEASED FOR PUBLICATION
 © COPYRIGHT BY TYCO ELECTRONICS CORPORATION. ALL RIGHTS RESERVED.

LOC	DIST	REVISIONS			
P	LTR	DESCRIPTION	DATE	DWN	APVD
AF	50	AG	ADDED -7 PER OG3A-0010-03	08JAN03	MF KR

- 1 CONTINUOUS STRIP ON REELS WITH TERMINALS LOCATED ON 5.59±0.08 [.220±.003] CENTERS.
- 2 SLOT TERMINATES EITHER A SINGLE OR DOUBLE MAGNET WIRE OF THE SAME SIZE AND TYPE.
- 3 COPPER RANGE: 0.25-0.36mm [#30-#27] AWG.
- 4 POKE-IN ACCEPTS A 0.5-0.9mm² [#20-#18] AWG SOLID OR FUSED STRANDED LEAD WIRE.
- 5 SPECIAL REEL QUANTITY - AMP SPAIN PRODUCTION ONLY.
- 6 PRELIMINARY - NOT FOR PRODUCTION.



STANDARD	WITH PAPER	0.002032 [.000080] MIN TIN PLATE	H04 PHOS BRONZE	5	62429-7
REVERSE	WITH PAPER	0.002032 [.000080] MIN TIN PLATE	4M BRASS	5	62429-6
STANDARD	WITH PAPER	0.002032 [.000080] MIN TIN PLATE	4M BRASS	4	62429-5
STANDARD	PLASTIC REEL W/PAPER	UNPLATED	4M BRASS		62429-4
-	-	-	-		-
STANDARD	WITHOUT PAPER	0.002032 [.000080] MIN TIN PLATE	4M BRASS		62429-2
STANDARD	WITH PAPER	0.002032 [.000080] MIN TIN PLATE	4M BRASS		62429-1
REELING DIRECTION	REELING	FINISH	MATERIAL		PART NUMBER

THIS DRAWING IS A CONTROLLED DOCUMENT.

DWN	03OCT1995	MICHAEL S. FEHER	Tyco Electronics Corporation Harrisburg, PA 17105-3608			
CHK	16OCT1995	RICHARD GRZYBOWSKI				
APVD	16OCT1995	NELSON E. NEFF				
NAME	TERMINAL, POKE-IN, 300 SERIES MAG-MATE™					
PRODUCT SPEC	108-2012		SIZE	CAGE CODE	DRAWING NO	RESTRICTED TO
APPLICATION SPEC	114-2046		A2	00779	C=62429	-
MATERIAL	FINISH	SEE TABLE	WEIGHT	CUSTOMER DRAWING		SCALE
SEE TABLE	SEE TABLE		-	10:1	SHEET	1 OF 1
					REV	AG