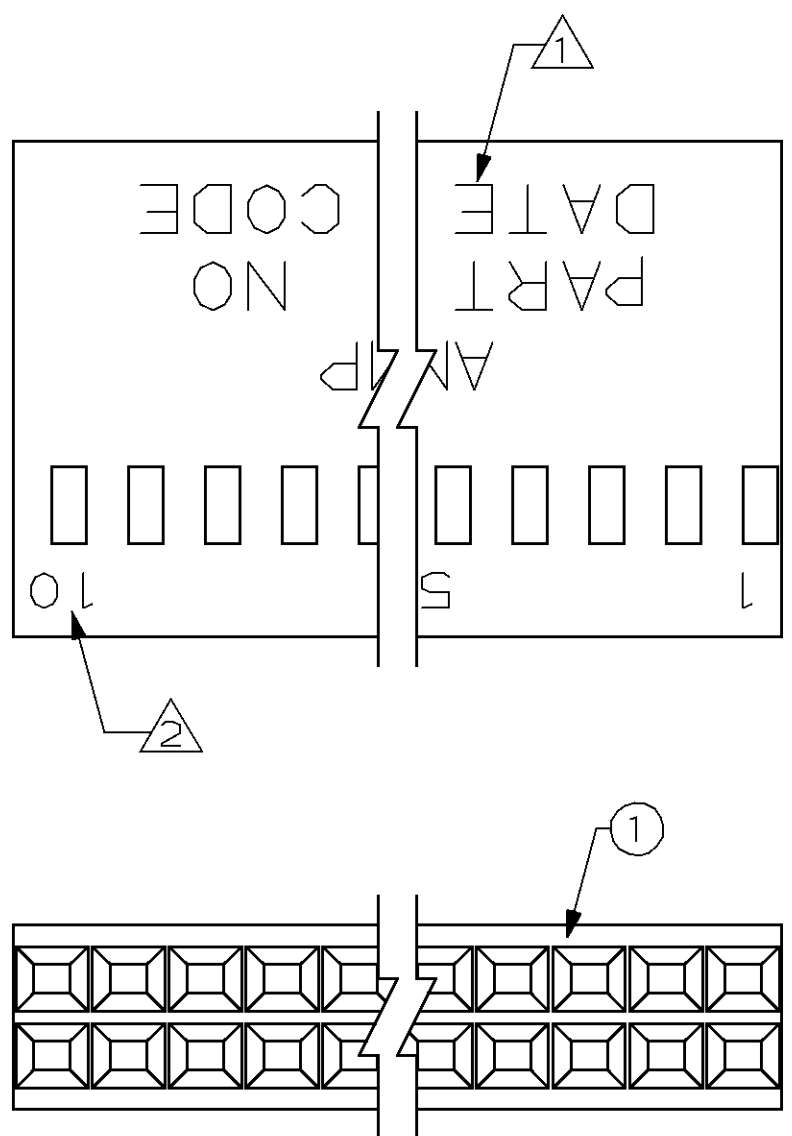


THIS DRAWING IS UNPUBLISHED. RELEASED FOR PUBLICATION, 19 .
 © COPYRIGHT 19 BY AMP INCORPORATED. ALL INTERNATIONAL RIGHTS RESERVED.

LOC	DIST	P	F	ZONE	LTR	DESCRIPTION	DATE	APPD
AD	39				K	REV PER 0010-0743-93	9-14-93	PS
					L	OBS PER 0010-1011-93	1-31-94	PS
					M	REV PER 0010-0684-94	5-23-94	PS
					N	REV PER 0010-0635-94	3-6-95	PS
					P	REV PER 0010-0249-95	6-8-95	PS
					R	REV PER 0010-0659-96	10DEC96	JS



- ① MARK (WHITE), "AMP", PART NO, AND DATE CODE, .062±.015 HIGH CHARS IN AREA SHOWN, ON EITHER SIDE OF HOUSING WHEN SIZE PERMITS (SEE TABLE)
- ② MARK (WHITE), CAVITY IDENTS, .046±.015 HIGH CHARS, FIRST AND EVERY FIFTH CAVITY (REGARDLESS OF HOUSING SIZE) ON ONE SIDE AS SHOWN
- ③ ROTATE PART 90° FOR MARKING OF "AMP", AND DATE CODE
- ④ THIS PART TO BE CUT TO SIZE (3.600)
- ⑤ OBSOLETE PART NUMBER.
- ⑥ SUPERSEDED BY 86177-5.
- ⑦ SUPERSEDED BY 2-86177-1.
- ⑧ SUPERSEDED BY 1-86177-1.

MARKING	MAKE FROM HOUSING PART NO	NO OF POS	PART NUMBER
ALL	2-86177-2	72	2-5-5
↑	2-4	70	2-5-4
↓	2-3	48	2-5-3
↓	2-2	92	2-86148-2
ALL	2-1	50	2-86148-1
NO PART NO	2-0	8	2-86148-0
ALL	1-9	52	1-5-9
NO PART NO	1-8	6	1-86148-8
ALL	1-7	44	1-5-7
↑	1-6	18	1-5-6
↑	1-5	16	1-5-5
↓	1-4	14	1-4
ALL	1-3	12	1-5-3
NO PART NO	1-2	10	1-2
ALL	1-1	40	1-8-1
↑	1-0	38	1-86148-0
	-9	36	5-9
	-8	34	5-86148-8
	-7	32	5-7
	-6	30	5-6
	-5	28	5-5
	-4	26	5-4
	-3	24	5-3
↓	-2	22	5-2
ALL	86177-1	20	86148-1

DO NOT SCALE PRINT. UNLESS SPECIFIED DIMENSIONS IN mm [INCHES] TOLERANCES ON :		DR 1-28-85 L.D. RINGLEY		AMP AMP Incorporated Harrisburg, PA 17105-3608	
2 PLC DEC ± -		CHK 1-29-85 R.J. DAVIS			
3 PLC DEC ± -		APPD 1-29-85 R.J. DAVIS		NAME ASSEMBLY, MOD IV, HOUSING WITH SPECIAL MARKING DOUBLE ROW, .100 X .100 ♂ CRIMP SNAP-IN	
ANGLES ± -		APPD 1-31-85 C.L. LINDGREN			
MATERIAL	-	PRODUCT SPEC	-	SIZE	CAGE CODE
FINISH	-	APPLICATION SPEC	-	Ⓢ	00779
WEIGHT	-			DRAWING NO	Ⓢ=86148
				SCALE	4:1
				SHEET	1 OF 1

THIS DRAWING IS A CONTROLLED DOCUMENT FOR AMP INCORPORATED. IT IS SUBJECT TO CHANGE AND THE CONTROLLING ENGINEERING ORGANIZATION SHOULD BE CONTACTED FOR THE LATEST REVISION.