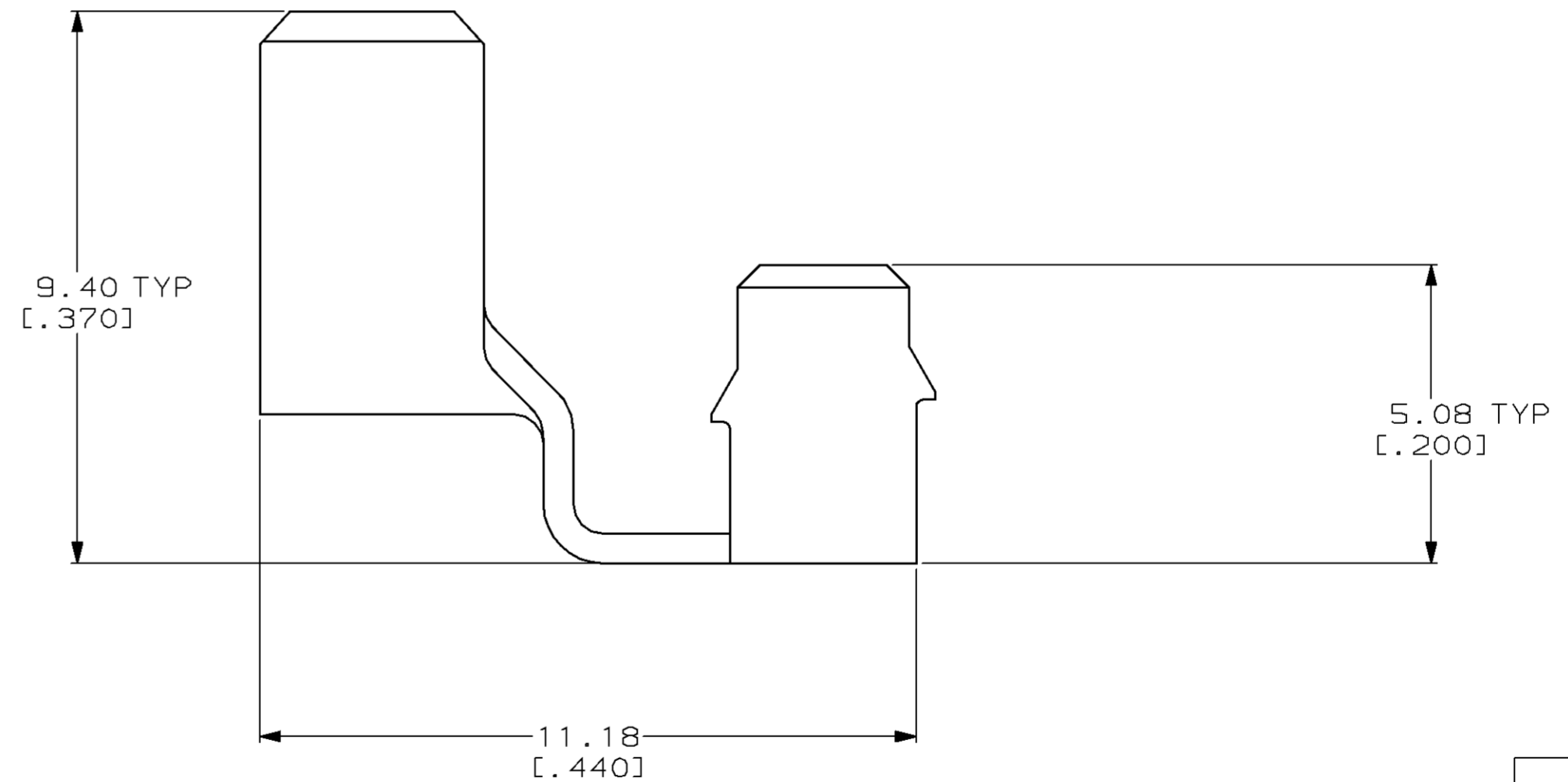
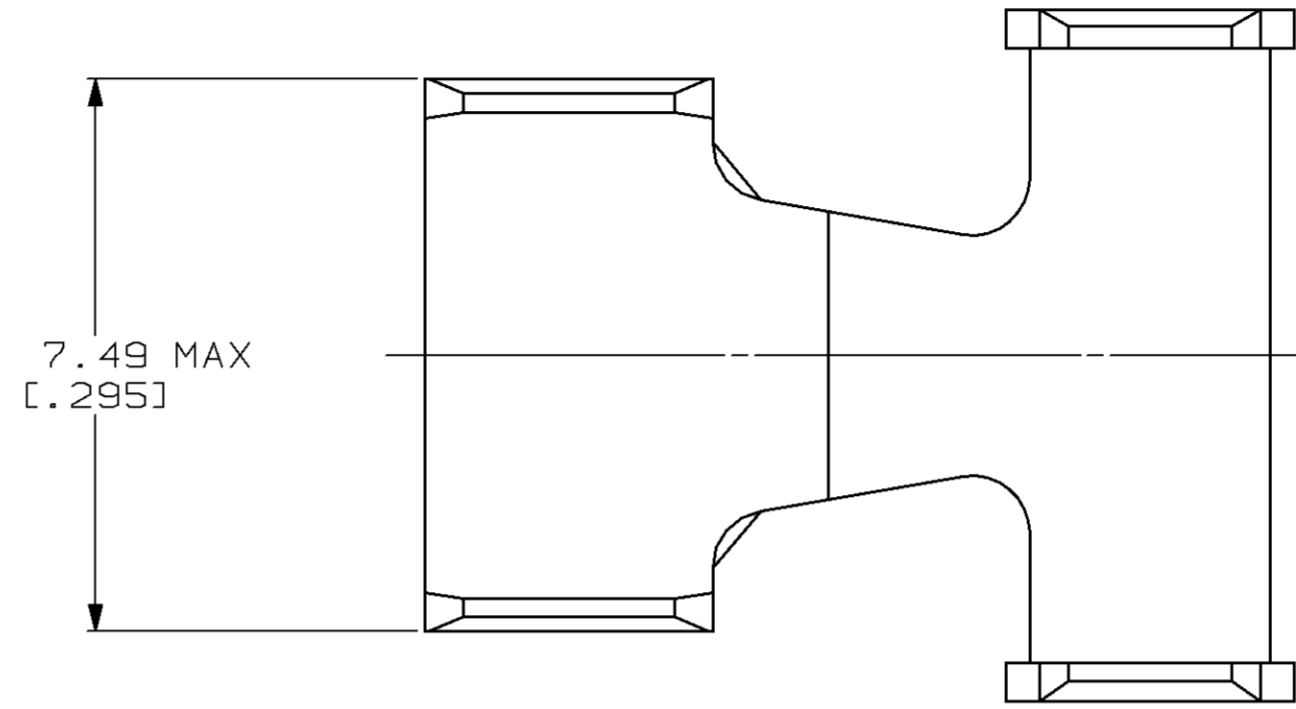
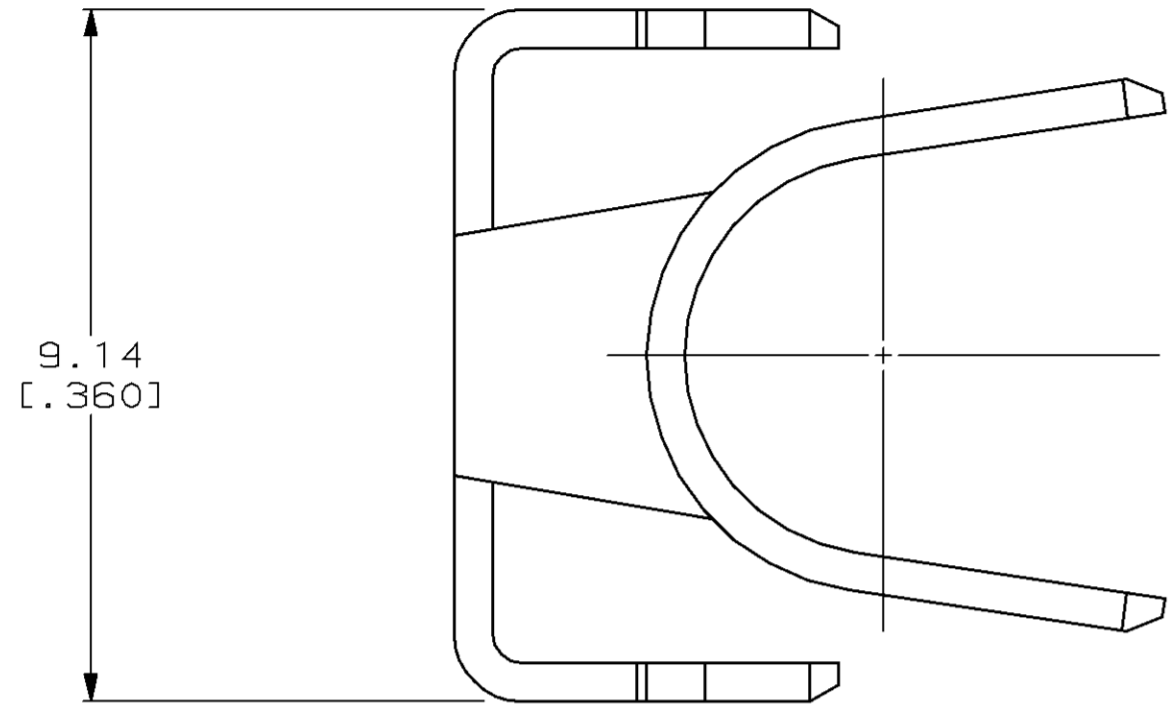


THIS DRAWING IS UNPUBLISHED. RELEASED FOR PUBLICATION, 19  
 BY AMP INCORPORATED. ALL RIGHTS RESERVED.

LOC	DIST	REVISIONS			
P	LTR	DESCRIPTION	DATE	DWN	APVD
BD	50	0	RELEASED	01/25/95	-
		A	REV PER EC 0020-0147-95	02/22/95	MB MP



- 1 0.76µm [0.00030] MIN TIN-LEAD OVER 1.27µm [0.00050] MIN NICKEL.
- 2 CARTRIDGE BRASS STRIP, B326 UNS 26000, 0.51 [0.020] THK.

943072-2  
 PART NUMBER

<small>THIS DRAWING IS A CONTROLLED DOCUMENT FOR AMP INCORPORATED. IT IS SUBJECT TO CHANGE AND THE CONTROLLING ENGINEERING ORGANIZATION SHOULD BE CONTACTED FOR THE LATEST REVISION.</small>		DWN M. BINNER 01/25/95	<b>AMP</b> AMP Incorporated Harrisburg, PA 17105-3608
DIMENSIONS: mm [INCHES]		CHK R. STONE 01/26/95	
TOLERANCES UNLESS OTHERWISE SPECIFIED: 0 PLC ±- 1 PLC ±- 2 PLC ±0.13 [0.005] 3 PLC ±- 4 PLC ±- ANGLES ±-		APVD R. BAER 01/26/95	NAME
MATERIAL		PRODUCT SPEC	STRAIN RELIEF, SDL
FINISH		APPLICATION SPEC	SIZE CAGE CODE DRAWING NO
		WEIGHT	A2 00779 C-943072
		CUSTOMER DRAWING	SCALE 10:1 SHEET 1 OF 1 REV A

943072